

DORMER

Carbide Thread Milling Cutters



Introduction

- Dormer's solid carbide thread milling cutter program is a comprehensive range of high performance tools offering impressive tooling economy and high levels of tool life.
- The premium carbide grade combined with Alcrona Pro coating results in a great combination of toughness and wear resistance, offering security and reliability when machining most materials.

Requirements *for using thread milling cutters*

To be able to use a thread milling cutter it is necessary to have a controlled machine that can make circular paths (spiral-interpolation). Most modern CNC machines are equipped with machining cycles for thread milling. Consult the manual or contact the machine supplier for information. It is also possible to write a sub-programme for thread milling operations. Use the Web Selector or contact technical support for further assistance.

Features *& Benefits*

Advantages of thread milling compared to conventional threading

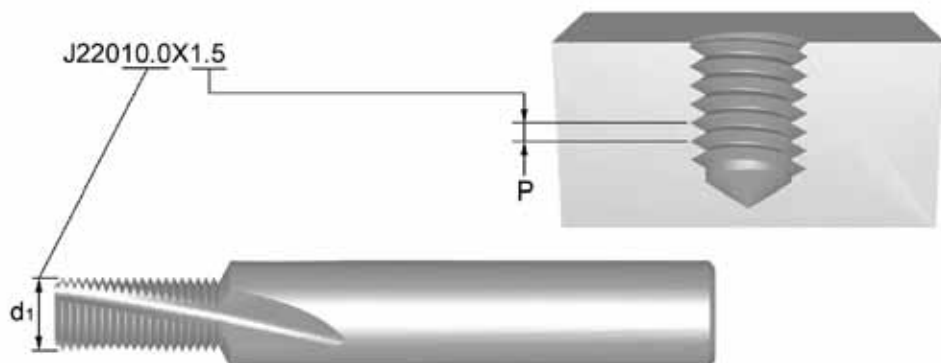
- Thread milling gives increased reliability
- Threadmills produce smaller chips resulting in problem free threading
- Tolerance adjustments can be made using exact calculations
- Fuller thread to the bottom of the hole
- Longer tool life
- Multi-material versatility
- The same cutter can be used for many diameters, as long as the pitch is the same
- The same tool can be used for both left and right hand internal threads, and G(BSP) can be used for both internal and external threads
- Suitable for dry machining
- Countersink (J200/ J205) metric tools makes it possible to chamfer
- Conical threads offer the possibility to chamfer with better quality and accuracy compared to conventional taps.

Other facts *about thread milling*

- Thread milling is a slow process with measurable time savings on larger diameters. However, the quality of finish and level of accuracy can greatly compensate for the speed of machining.
- Thread depth is limited to 2 X diameter

Choosing *your tool*

All thread milling cutters have an Item Code based on the type, diameter (d_1) and the pitch (P). The item code is the number to use when ordering your tool. Always consult the Catalogue/ Web Selector for correct thread dimension of tool.



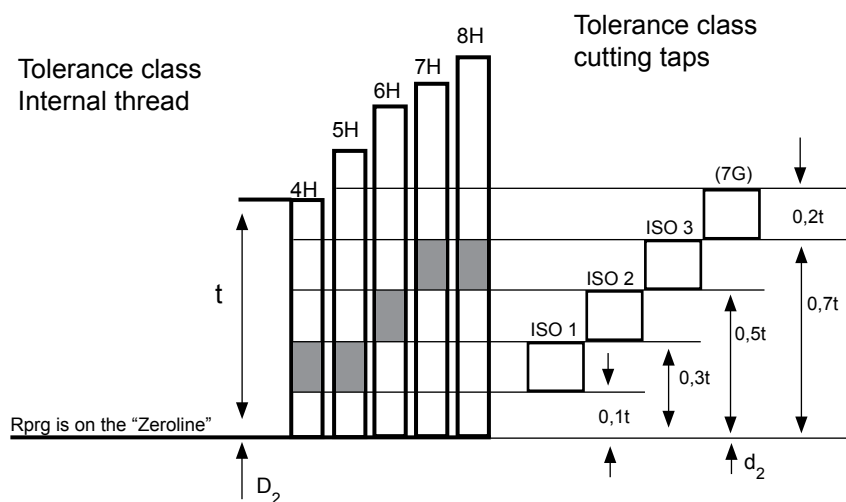
This thread milling cutter can be used for threads \geq M12x1.5 (M14x1.5, M16x1.5 etc).

The Web Selector provides a step-by-step guide to assist the user in choosing the correct tool and subsequently, the optimum programme for the thread to be made. Programming examples of thread milling cycles are given for internal and external, right or left hand threading with incremental or absolute programming according to the most common systems, DIN 66025(ISO), Fanuc, Heidenhain and Siemens.

Programming *with Rprg*

For easy adjustment of the thread tolerance always programme with radius correction. The Rprg value is printed on the cutter and it is normally entered in the tool memory offset. The Rprg is a start value for new cutters.

Rprg is based on the theoretical Zero-line of the thread. This means that when you work with Rprg the thread is never too large but very tight, normally too tight. You have to add a small amount afterwards in order to find out the correct tolerance for your Nominal Thread Diameter. Check with a gauge. If you use the Web Selector to generate the CNC-programme, you will get a recommendation of how much to adjust the Rprg value to get the selected tolerance. Remember a smaller Rprg value gives a bigger nominal thread diameter.



$t = T_{D_2}$ = Tolerance class DIN 13 Part 15
 $D_2 = d_2$ = Basic pitch diameter

Recommendations

- Running the application in the Web Selector will give a suggestion of the thread milling cutter best suited for the application, with cutting data and a CNC programme optimised for the application. The CNC programme can be produced according to the most common systems, including DIN66025(ISO), Heidenhain, Fanuc and Siemens.
- Always use the correct cutting speed and feed (refer to the AMG chart on page 4).
- Use recommended drill sizes for the thread diameter, as for conventional taps.
- For easy adjustments of the thread tolerance, always programme with radius correction. Start value Rprg is printed on the cutter. If a tolerance is selected in the Web Selector you will also get a recommendation of how much to adjust the Rprg value.
- Use a gauge to check the tolerance on the first thread and then regularly to establish if the radius needs to be corrected. The radius can normally be corrected 2-3 times before the thread milling cutter is worn out.
- When dry machining, compressed air is recommended to help with swarf removal
- When working with more difficult materials, it is recommended that the thread milling operation be done in 2 or 3 passes. The Web Selector gives you the choice of generating a CNC-programme dividing the cut by a half or 1/3 (2 or 3 passes).

	M	M	M	M	MF	MF	UNC	UNF	G	NPT
	2XD	2XD	2XD	2XD	1.5XD	1.5XD	2XD	2XD	1.5XD	
	HM	HM	HM	HM	HM	HM	HM	HM	HM	HM
	J200	J205	J210	J215	J220	J225	J235	J245	J280	J260
	M4 - M16	M8 - M16	M6 - M16	M6 - M16	M6 - M24	M10 - M18	1/4 - 3/4	1/4 - 3/4	1/8 - 3"	1/8 - 2"
	NEW	NEW	NEW	NEW	NEW	NEW	NEW	NEW	NEW	NEW
1.1	■170B	■170B	■175B	■175B	■170B	■170B	■170B	■170B	■170B	■170B
1.2	■170B	■170B	■175B	■175B	■170B	■170B	■170B	■170B	■170B	■170B
1.3	■140B	■140B	■145B	■145B	■140B	■140B	■140B	■140B	■140B	■140B
1.4	■130B	■130B	■135B	■135B	■130B	■130B	■130B	■130B	■130B	■130B
1.5	■100B	■100B	■105B	■105B	■100B	■100B	■100B	■100B	■100B	■100B
1.6	■80B	■80B	■85B	■85B	■80B	■80B	■80B	■80B	■80B	■80B
1.7	●50A	●50A	●50A	●50A	●50A	●50A	●50A	●50A	●50A	●50A
1.8	●30A	●30A	●30A	●30A	●30A	●30A	●30A	●30A	●30A	●30A
2.1	●50A	■50A	●50A	●50A	●50A	■50A	■50A	●50A	●50A	●50A
2.2	●40A	■40A	●40A	●40A	●40A	■40A	■40A	●40A	●40A	●40A
2.3	●30A	■30A	●30A	●30A	●30A	■30A	■30A	●30A	●30A	●30A
2.4	●25A	■25A	●25A	●25A	●25A	■25A	■25A	●25A	●25A	●25A
3.1	■150B	■150B	■155B	■155B	■150B	■150B	■150B	■150B	■150B	■150B
3.2	■130B	■130B	■135B	■135B	■130B	■130B	■130B	■130B	■130B	■130B
3.3	■150B	■150B	■155B	■155B	■150B	■150B	■150B	■150B	■150B	■150B
3.4	■120B	■120B	■125B	■125B	■120B	■120B	■120B	■120B	■120B	■120B
4.1	■170B	■170B	■175B	■175B	■170B	■170B	■170B	■170B	■170B	■170B
4.2	■80B	■80B	■80B	■80B	■80B	■80B	■80B	■80B	■80B	■80B
4.3	■50B	■50B	■50B	■50B	■50B	■50B	■50B	■50B	■50B	■50B
5.1	●250B	■250B	●250B	●250B	●250B	■250B	■250B	●250B	●250B	●250B
5.2	●40A	■40A	●40A	●40A	●40A	■40A	■40A	●40A	●40A	●40A
5.3	●25A	■25A	●25A	●25A	●25A	■25A	■25A	●25A	●25A	●25A
6.1	■400B	■400B	■405B	■405B	■400B	■400B	■400B	■400B	■400B	■400B
6.2	■400B	■400B	■405B	■405B	■400B	■400B	■400B	■400B	■400B	■400B
6.3	■400B	■400B	■405B	■405B	■400B	■400B	■400B	■400B	■400B	■400B
6.4	■60A	■60A	■60A	■60A	■60A	■60A	■60A	■60A	■60A	■60A
7.1	■800C	■800C	■805C	■805C	■800C	■800C	■800C	■800C	■800C	■800C
7.2	■800C	■800C	■805C	■805C	■800C	■800C	■800C	■800C	■800C	■800C
7.3	■700C	■700C	■705C	■705C	■700C	■700C	■700C	■700C	■700C	■700C
7.4	■340B	■340B	■345B	■345B	■340B	■340B	■340B	■340B	■340B	■340B
8.1	■340C	■340C	■345C	■345C	■340C	■340C	■340C	■340C	■340C	■340C
8.2	■210C	■210C	■210C	■210C	■210C	■210C	■210C	■210C	■210C	■210C
8.3	■180C	■180C	■180C	■180C	■180C	■180C	■180C	■180C	■180C	■180C
9.1										
10.1	●200C	●200C	●200C	●200C	●200C	●200C	●200C	●200C	●200C	●200C

M



Ø	A		B		C	
	ap= 1 x d ₁	ap= 2 x d ₁	ap= 1 x d ₁	ap= 2 x d ₁	ap= 1 x d ₁	ap= 2 x d ₁
3.2	0.010	0.005	0.011	0.006	0.017	0.012
4.1	0.009	0.007	0.012	0.008	0.014	0.011
4.8	0.012	0.009	0.015	0.010	0.017	0.014
6.5	0.017	0.014	0.027	0.017	0.030	0.025
8.2	0.021	0.018	0.034	0.029	0.040	0.033
9.9	0.024	0.020	0.039	0.024	0.048	0.032
11.6	0.031	0.025	0.050	0.031	0.059	0.035
13.6	0.039	0.032	0.062	0.051	0.071	0.048

MF



d ₁	P	A		B		C	
		ap= 3/4 x d ₁	ap= 1,5 x d ₁	ap= 3/4 x d ₁	ap= 1,5 x d ₁	ap= 3/4 x d ₁	ap= 1,5 x d ₁
4.8	0.50	0.017	0.014	0.022	0.018	0.025	0.021
6.0	0.75	0.023	0.018	0.033	0.027	0.037	0.030
6.0	1.00	0.020	0.016	0.029	0.023	0.032	0.026
8.0	1.00	0.025	0.020	0.041	0.033	0.045	0.037
10.0	1.00	0.034	0.028	0.055	0.045	0.069	0.056
10.0	1.50	0.028	0.023	0.045	0.037	0.056	0.046
12.0	1.00	0.048	0.039	0.077	0.065	0.077	0.075
12.0	1.50	0.040	0.032	0.065	0.053	0.076	0.062
14.0	1.00	0.060	0.049	0.084	0.079	0.084	0.084
14.0	1.50	0.049	0.040	0.079	0.064	0.084	0.074
16.0	2.00	0.050	0.041	0.082	0.066	0.089	0.077
20.0	2.00	0.067	0.055	0.100	0.093	0.100	0.100

G



d ₁	A		B		C	
	ap= 3/4 x d ₁	ap= 1.5 x d ₁	ap= 3/4 x d ₁	ap= 1.5 x d ₁	ap= 3/4 x d ₁	ap= 1.5 x d ₁
6.0	0.022	0.017	0.031	0.025	0.034	0.028
10.0	0.030	0.025	0.050	0.040	0.062	0.050
14.0	0.045	0.036	0.070	0.055	0.075	0.060
16.0	0.050	0.041	0.081	0.066	0.089	0.077
20.0	0.067	0.055	0.098	0.090	0.100	0.095
25.0	0.070	0.058	0.100	0.095	0.120	0.100

UNC



d ₁	TPI	A		B		C	
		ap= 1 x d ₁	ap= 2 x d ₁	ap= 1 x d ₁	ap= 2 x d ₁	ap= 1 x d ₁	ap= 2 x d ₁
4.8	20	0.003	0.003	0.012	0.006	0.029	0.014
5.5	18	0.004	0.003	0.017	0.009	0.041	0.023
7.5	16	0.008	0.005	0.029	0.016	0.056	0.043
8.0	14	0.008	0.006	0.031	0.018	0.060	0.049
10.0	13	0.009	0.007	0.040	0.032	0.071	0.071
10.0	12	0.008	0.006	0.038	0.029	0.071	0.069
12.0	11	0.009	0.007	0.036	0.026	0.077	0.077
14.0	10	0.010	0.008	0.060	0.043	0.084	0.084

UNF



d ₁	A		B		C	
	ap= 1 x d ₁	ap= 2 x d ₁	ap= 1 x d ₁	ap= 2 x d ₁	ap= 1 x d ₁	ap= 2 x d ₁
4.8	0.004	0.003	0.016	0.008	0.034	0.021
6.0	0.006	0.004	0.028	0.016	0.055	0.045
8.0	0.013	0.007	0.037	0.025	0.063	0.058
10.0	0.022	0.011	0.046	0.038	0.071	0.071
14.0	0.036	0.018	0.075	0.061	0.084	0.084

NPT



d ₁	Ap=	A	B	C
7.9	Standard	0.026	0.044	0.069
9.9	Standard	0.029	0.046	0.070
15.9	Standard	0.053	0.087	0.089
19.9	Standard	0.064	0.100	0.100

ap =



d₁ =





J200

- M Thread Mill Spiral Flute 10°
- Fresa para rosca M con ángulo de hélice de 10°
- Fresa de Roscar M com ângulo de hélice a 10°
- Fraise à fileter M avec goujure hélice 10°

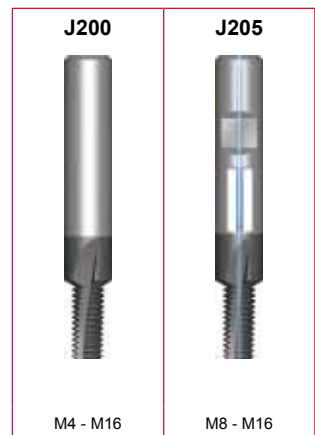
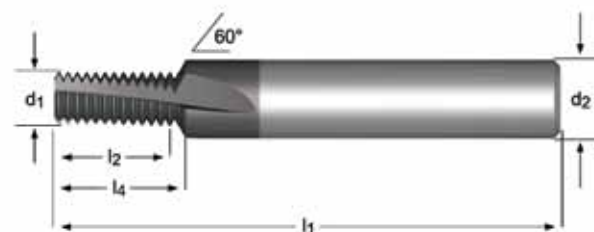
Internal Thread
Rosca interior
Rosca Interior
Filetage intérieur

J205

- M Thread Mill Spiral Flute 10° Oil Feed
- Fresa para rosca M con ángulo de hélice de 10° - refrigeración interna
- Fresa de Roscar M com ângulo de hélice a 10° Lub.
- Fraise à fileter M avec goujure hélice 10° - à trous d'huile

Internal Thread
Rosca interior
Rosca Interior
Filetage intérieur

J200	▪	1.1	1.2	1.3	1.4	1.5	1.6	3.1	3.2	3.3	3.4	4.1	4.2	4.3	6.1	6.2	6.3	6.4	7.1	7.2	7.3
		7.4	8.1	8.2	8.3																
	•	1.7	1.8	2.1	2.2	2.3	2.4	5.1	5.2	5.3	10.1										
J205	▪	1.1	1.2	1.3	1.4	1.5	1.6	2.1	2.2	2.3	2.4	3.1	3.2	3.3	3.4	4.1	4.2	4.3	5.1	5.2	6.1
		6.2	6.3	6.4	7.1	7.2	7.3	7.4	8.1	8.2	8.3										
	•	1.7	1.8	5.3	10.1																



∅	P mm	d ₁ ∅ mm	l ₂ mm	l ₁ mm	d ₂ ∅ mm	z	l ₄ mm	J200	J205
M4	0.70	3.20	8.4	57	6	3	9.5	J2003.2X.7	
M5	0.80	4.10	11.2	57	6	3	12.1	J2004.1X.8	
M6	1.00	4.80	13.0	63	8	3	14.4	J2004.8X1.0	
M8	1.25	6.50	17.5	72	10	3	19.1	J2006.5X1.25	J2056.5X1.25
M10	1.50	8.20	21.0	83	12	3	22.8	J2008.2X1.5	J2058.2X1.50
M12	1.75	9.90	26.25	83	14	4	28.2	J2009.9X1.75	J2059.9X1.75
M14	2.00	11.60	30.0	92	16	4	32.2	J20011.6X2.0	J20511.6X2.0
M16	2.00	13.60	34.0	92	18	4	36.2	J20013.6X2.0	J20513.6X2.0



J210

- M Thread Mill Spiral Flute 27°
- Fresa para rosca M con ángulo de hélice de 27°
- Fresa de Roscar M com ângulo de hélice a 27°
- Fraise à fileter M avec goujure hélice 27°

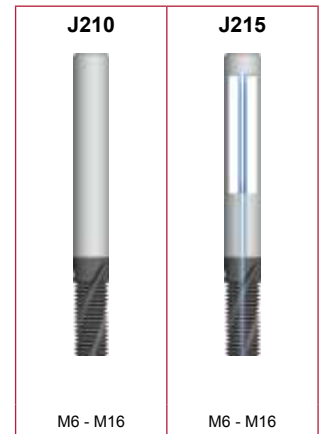
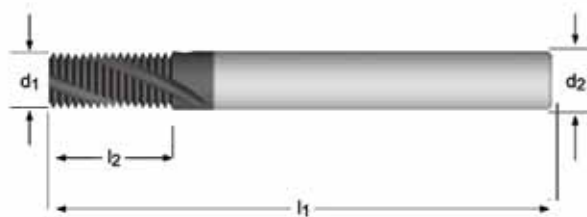
Internal Thread
Rosca interior
Rosca Interior
Filetage intérieur

J215

- M Thread Mill Spiral Flute 27° Oil Feed
- Fresa para rosca M con ángulo de hélice de 27° - refrigeración interna
- Fresa de Roscar M com ângulo de hélice a 27° Lub.
- Fraise à fileter M avec goujure hélice 27° - à trous d'huile

Internal Thread
Rosca interior
Rosca Interior
Filetage intérieur

J210, J215	1.1	1.2	1.3	1.4	1.5	1.6	3.1	3.2	3.3	3.4	4.1	4.2	4.3	6.1	6.2	6.3	6.4	7.1
	7.2	7.3	7.4	8.1	8.2	8.3												
	1.7	1.8	2.1	2.2	2.3	2.4	5.1	5.2	5.3	10.1								



≥	P mm	d ₁ ∅ mm	l ₂ mm	l ₁ mm	d ₂ ∅ mm	z	J210	J215
M6	1.00	4.50	13.0	57	6	3	J2104.5X1.0	J2154.5X1.0
M8	1.25	6.00	17.5	65	6	3	J2106.0X1.25	J2156.0X1.25
M10	1.50	7.50	21.0	72	8	3	J2107.5X1.5	J2157.5X1.5
M12	1.75	9.50	26.25	80	10	3	J2109.5X1.75	J2159.5X1.75
M14	2.00	10.00	30.0	83	10	4	J21010.0X2.0	J21510.0X2.0
M16	2.00	12.00	34.0	92	12	4	J21012.0X2.0	J21512.0X2.0



J220

- MF Thread Mill Spiral Flute 10°
- Fresa para rosca MF con ángulo de hélice de 10°
- Fresa de Roscar MF com ângulo de hélice a 10°
- Fraise à fileter M avec goujure hélice 10°

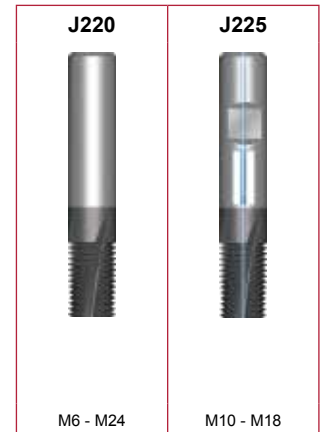
Internal Thread
Rosca interior
Rosca Interior
Filetage intérieur

J225

- MF Thread Mill Spiral Flute 10° Oil Feed
- Fresa para rosca MF con ángulo de hélice de 10° - refrigeración interna
- Fresa de Roscar MF com ângulo de hélice a 10° Lub.
- Fraise à fileter MF avec goujure hélice 10° - à trous d'huile

Internal Thread
Rosca interior
Rosca Interior
Filetage intérieur

J220	▪	1.1	1.2	1.3	1.4	1.5	1.6	3.1	3.2	3.3	3.4	4.1	4.2	4.3	6.1	6.2	6.3	6.4	7.1	7.2	7.3
		7.4	8.1	8.2	8.3																
	•	1.7	1.8	2.1	2.2	2.3	2.4	5.1	5.2	5.3	10.1										
J225	▪	1.1	1.2	1.3	1.4	1.5	1.6	2.1	2.2	2.3	2.4	3.1	3.2	3.3	3.4	4.1	4.2	4.3	5.1	5.2	5.3
		6.1	6.2	6.3	6.4	7.1	7.2	7.3	7.4	8.1	8.2	8.3									
	•	1.7	1.8	10.1																	



∅	P mm	d ₁ ∅ mm	l ₂ mm	l ₁ mm	d ₂ ∅ mm	z	J220	J225
M6	0.50	4.80	10.0	57	6	3	J2204.8X.5	
M8	0.75	6.00	12.0	57	6	3	J2206.0X.75	
M8	1.00	6.00	12.0	57	6	3	J2206.0X1.0	
M10	1.00	8.00	16.0	63	8	4	J2208.0X1.0	J2258.0X1.0
M12	1.00	10.00	20.0	72	10	4	J2210.0X1.0	J22510.0X1.0
M12	1.50	10.00	20.0	72	10	4	J2210.0X1.5	J22510.0X1.5
M14	1.00	12.00	22.0	83	12	4	J2212.0X1.0	J22512.0X1.0
M14	1.50	12.00	22.0	83	12	4	J2212.0X1.5	J22512.0X1.5
M16	1.00	14.00	26.0	83	14	5	J2214.0X1.0	J22514.0X1.0
M16	1.50	14.00	26.0	83	14	5	J2214.0X1.5	J22514.0X1.5
M18	1.50	16.00	30.0	92	16	5		J22516.0X1.5
M20	2.00	16.00	30.0	92	16	5	J2216.0X2.0	
M20	2.50	16.00	42.5	105	16	5	J2216.0X2.5	
M24	2.00	20.00	35.0	104	20	5	J2220.0X2.0	
M24	3.00	19.00	50.0	125	20	5	J2219.0X3.0	

J235

UNC

DORMER

2XD

HM

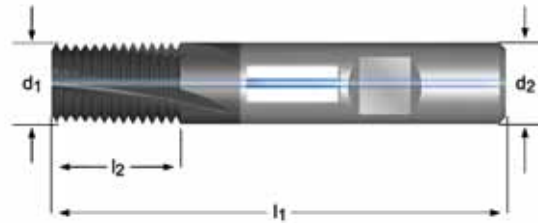


J235

- UNC Thread Mill Spiral Flute 10° Oil Feed
- Fresa para rosca UNC con ángulo de hélice de 10° - refrigeración interna
- Fresa de Roscar UNC com ângulo de hélice a 10° Lub.
- Fraise à fileter UNC avec goujure hélice 10° - à trous d'huile

Internal Thread
Rosca interior
Rosca Interior
Filetage intérieur

J235	▪	1.1	1.2	1.3	1.4	1.5	1.6	2.1	2.2	2.3	2.4	3.1	3.2	3.3	3.4	4.1	4.2	4.3	5.1	5.2	6.1	
		6.2	6.3	6.4	7.1	7.2	7.3	7.4	8.1	8.2	8.3											
	▪	1.7	1.8	5.3	10.1																	



J235



1/4 - 3/4

≥	TPI	d ₁ Ø mm	l ₂ mm	l ₁ mm	d ₂ Ø mm	z	J235
1/4	20	4.80	14.0	57	6	3	J2354.8-20
5/16	18	5.50	14.0	57	6	3	J2355.5-18
3/8	16	7.50	19.0	63	8	4	J2357.5-16
7/16	14	8.00	19.0	63	8	4	J2358.0-14
1/2	13	10.00	22.0	72	10	4	J23510.0-13
9/16	12	10.00	22.0	72	10	4	J23510.0-12
5/8	11	12.00	26.0	83	12	4	J23512.0-11
3/4	10	14.00	32.0	83	14	5	J23514.0-10

J245

UNF

2XD

HM

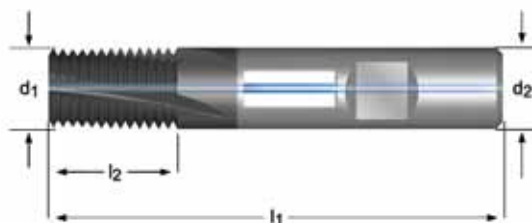


J245

- UNF Thread Mill Spiral Flute 10° Oil Feed
- Fresa para rosca UNF con ángulo de hélice de 10° - refrigeración interna
- Fresa de Roscar UNF com ângulo de hélice a 10° Lub.
- Fraise à fileter UNF avec goujure hélice 10° - à trous d'huile

Internal Thread
Rosca interior
Rosca Interior
Filetage intérieur

J245	▪	1.1	1.2	1.3	1.4	1.5	1.6	2.1	2.2	2.3	2.4	3.1	3.2	3.3	3.4	4.1	4.2	4.3	5.1	5.2	6.1
		6.2	6.3	6.4	7.1	7.2	7.3	7.4	8.1	8.2	8.3										
	•	1.7	1.8	5.3	10.1																



≥	TPI	d ₁ Ø mm	l ₂ mm	l ₁ mm	d ₂ Ø mm	z	J245
1/4	28	4.80	14.0	57	6	3	J2454.8-28
5/16. 3/8	24	6.00	14.0	57	6	3	J2456.0-24
7/16. 1/2	20	8.00	19.0	63	8	4	J2458.0-20
9/16. 5/8	18	10.00	22.0	72	10	4	J24510.0-18
3/4	16	14.00	32.0	83	14	5	J24514.0-16

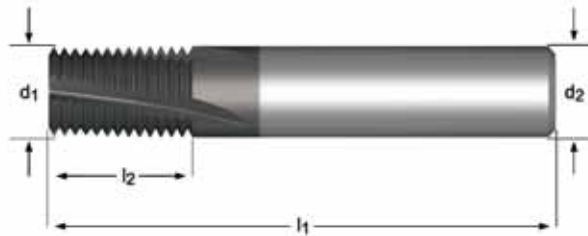
J280



J280

- G(BSP) Thread Mill Spiral Flute 10°
 - Fresa para rosca G(BSP) con ángulo de hélice de 10°
 - Fresa de Roscar G(BSP) com ângulo de hélice a 10°
 - Fraise à fileter G(BSP avec goujure hélice 10°
- Internal and External Thread
Rosca exterior e interior
Rosca Exterior e Interior
Filetage intérieur et extérieur

J280	▪	1.1	1.2	1.3	1.4	1.5	1.6	3.1	3.2	3.3	3.4	4.1	4.2	4.3	6.1	6.2	6.3	6.4	7.1	7.2	7.3
		7.4	8.1	8.2	8.3																
	▪	1.7	1.8	2.1	2.2	2.3	2.4	5.1	5.2	5.3	10.1										



≥	TPI	d ₁ Ø mm	l ₂ mm	l ₁ mm	d ₂ Ø mm	z	J280
1/8	28	6.00	15.0	57	6	3	J2806.0-28
1/4	19	10.00	20.0	72	10	4	J28010.0-19
3/8	19	14.00	26.0	83	14	5	J28014.0-19
1/2. 5/8	14	16.00	30.0	92	16	5	J28016.0-14
5/8. 3/4. 7/8	14	20.00	35.0	104	20	5	J28020.0-14
1". 3"	11	25.00	45.0	121	25	6	J28025.0-11

J260

NPT



HM



J260

- NPT Thread Mill Spiral Flute 10°
- Fresa para rosca NPT con ángulo de hélice de 10°
- Fresa de Roscar NPT com ângulo de hélice a 10°
- Fraise à fileter NPT avec goujure hélice 10°

Internal Thread
Rosca interior
Rosca Interior
Filetage intérieur

J260	▪	1.1	1.2	1.3	1.4	1.5	1.6	2.4	3.1	3.2	3.3	3.4	4.1	4.2	4.3	6.1	6.2	6.3	6.4	7.1	7.2
		7.3	7.4	8.1	8.2	8.3															
	▪	1.7	1.8	2.1	2.2	2.3	2.4	5.1	5.2	5.3	10.1										



≥	TPI	d ₁ Ø mm	l ₂ mm	l ₁ mm	d ₂ Ø mm	z	J260
1/8	27	7.90	11.50	58	8	3	J2607.9-27
1/4. 3/8	18	9.90	15.92	66	10	3	J2609.9-18
1/2. 3/4	14	15.90	20.46	82	16	4	J26015.9-14
1". 2"	11.5	19.90	27.12	92	20	5	J26019.9-11.5

SIMPLY RELIABLE

As a professional you can judge the quality of work by just looking at the chip. Our chip is a clean and uncomplicated shape that in itself tells a story. It is a clear and consistent signal and that's why we use it as a symbol for being simply reliable.

Argentina

T: 54 (11) 6777-6777
F: 54 (11) 4441-4467
dormer.ar@dormertools.com

Australia

T: 1300 131 274
F: +61 3 9238 7105
dormer.int@dormertools.com

Brazil

responsible for **Bolivia, Panama, Chile, Paraguay, Colombia, Peru, Costa Rica, Uruguay, Ecuador, Venezuela, Guatemala**
T: +55 11 5660 3000
F: +55 11 5667 5883
dormer.br@dormertools.com

Canada

T: (888) 336 7637
En Français: (888) 368 8457
F: (905) 542 7000
cs.canada@dormertools.com

China

T: +86 21 24160508
F: +86 21 5442 6315
dormer.cn@dormertools.com

Czech Republic

responsible for **Export CEE, Romania, Macedonia, Slovenia, Serbia, Ukraine, Bosnia-Herzegovina, Croatia, Belarus, Montenegro, Bulgaria**
pramet.info.row@pramet.com
T: +420 583 381 111
F: +420 583 215 401
pramet.info.cz@pramet.com

Denmark

T: +45 43 46 52 80
F: +45 43 46 52 81
dormer.dk@dormertools.com
Kundtjeneste
T: direkt 808 82106
F: direkt +46 35 16 52 90

Dormer Tools International

responsible for **Middle East, Far East**
T: +44 1246 571338
F: +44 1246 571339
dormer.int@dormertools.com

Finland

T: +358 205 44 121
F: +358 205 44 5199
Customer Service
T: direkt 0205 44 7003
F: direkt 0205 44 7004
dormer.fi@dormertools.com

France

T: +33 (0)2 47 62 57 01
F: +33 (0)2 47 62 52 00
dormer.fr@dormertools.com

Germany

T: +49 9131 933 08 70
F: +49 9131 933 08 742
dormer.de@dormertools.com

Hungary

T: +36-96 / 522-846
F: +36-96 / 522-847
pramet.info.hu@pramet.com

India

T: +91 124 470 3825
dormer.in@dormertools.com

Italy

T: +39 02 38 04 51
F: +39 02 38 04 52 43
dormer.it@dormertools.com

Netherlands

T: +31 10 2080 240
F: +31 10 2080 282
dormer.nl@dormertools.com
responsible for
Austria
T: +31 10 2080 212
F: +31 10 2080 282
dormer.at@dormertools.com
and
Belgium
T: +32 3 440 59 01
F: +32 3 449 15 43
Email: dormer.be@dormertools.com
and

Switzerland

T: +31 10 2080 212
F: +31 10 2080 282
dormer.ch@dormertools.com

New Zealand

T: +64 9 2735858
F: +64 9 2735857
dormer.int@dormertools.com

Norway

T: +47 67 17 56 00
F: +47 66 85 96 10
dormer.no@dormertools.com
Kundeservice
T: direkt 800 10 113
F: direkt +46 35 16 52 90

Poland

T: +48 32 78-15-890
F: +48 32 78-60-406
pramet.info.pl@pramet.com

Russia

T: +7 495 775 10 28
pramet.info.ru@pramet.com

Slovakia

T: +421 417 645 659
F: +421 417 637 449
pramet.info.sk@pramet.com

Spain

T: +34 935717722
F: +34 935717765
info.safety-iberica@safety-cuttingtools.com
responsible for
Portugal
T: +351 21 424 54 21
F: +351 21 424 54 25

Sweden

responsible for
Iceland, Lithuania, Latvia, Estonia
T: +46 (0) 35 16 52 00
F: +46 (0) 35 16 52 90
dormer.se@dormertools.com
Kundsservice
T: direkt +46 35 16 52 96
F: direkt +46 35 16 52 90

United Kingdom

responsible for **Ireland**
T: 0870 850 4466
F: 0870 850 8866
dormer.uk@dormertools.com

United States of America

responsible for **Mexico**
T: (800) 877-3745
F: (847) 783-5760
cs@dormertools.com