

CATALOGUE
& TECHNICAL
GUIDE 2015



SOLID END MILLS

General	Index..... 2	
	Product introduction and technical information 3-19	P M
Universal	Product information and cutting data..... 20-135	K N
		S H
		TS/P
Steel and cast iron	Product information and cutting data..... 136-156	P
		K
Stainless steel and S-materials (HRSA and Titanium alloys)	Product information and cutting data..... 157-177	M
		S
Non-ferrous	Product information and cutting data..... 178-221	N
		TS
Hardened materials	Product information and cutting data..... 222-253	H
Plastic and CFRPs	Product information and cutting data..... 254-296	TS&TP
Graphite	Product information and cutting data..... 297-319	GR
Technical information	Recalculations 320-328	
	Cutting calculations and definitions..... 329-330	
SMG	Workpiece Materials – SMG* (Seco material group) 331-343	

H

HK/HKM 113-123

J

J28 295
 J29 109
 J36 111
 J93-F 293
 J99-F 293
 JC840 258-259
 JC845 261
 JC850 263
 JC860 265-266
 JC870 268-271
 JC871 273-276
 JC875 278-279
 JC880 281
 JC885 283
 JCO710 173-174
 JD620 300
 JD630 302
 JD640 304
 JD660 306
 JD665 308
 JD670 310
 JH111 150-151, 242-243
 JH120 232
 JH130 234
 JH141 145-146, 239-240
 JH150 153, 245
 JH160 155, 247
 JH40 200
 JH410 202
 JH421 204-206
 JH440 212
 JH450 214
 JH460 216
 JH720 176
 JH820 208
 JH830 210
 JH910 97-98
 JH930 101, 236
 JH970 104, 148
 JHF180 228-229
 JHF980 106
 JHP170 225-226
 JHP490 196-198
 JHP750 159-160
 JHP760 162-163
 JHP770 165-166, 168
 JHP780 170-171
 JHP951 142-143
 JHP993 139-140
 JM103 249-250
 JM106 249-250
 JM113 252
 JM116 252
 JM403 218
 JM404 218
 JM406 218
 JM413 220

JM416 220
 JM600 312
 JM610 314
 JM650 316
 JM655 318
 JM905 128-130
 JM915 133-134
 JM920 128-130
 JM925 133-134
 JPD840 285
 JPD850 287
 JPD880 289
 JPD890 291
 JS412 182-183
 JS413 185-186, 188
 JS452 188-189, 191
 JS453 191-194
 JS506 91-92
 JS509 94-95
 JS512 26-28
 JS513 31-34
 JS514 37-39
 JS520 70-71
 JS522 75-76
 JS532 80-82
 JS533 84-85
 JS534 87-89
 JS553 42-51
 JS554 52-69

T

TDM 124

V

V31 126



JABRO was founded in 1976 in Lottum, Netherlands.

JABRO is Seco's competence centre for solid milling solutions, and has the global responsibility for Research & Development, Manufacturing and Application Engineering.

Seco JABRO's products provide the world market with a wide range of standard tools and custom tool solutions, including reconditioning, mainly for General Engineering, Aerospace, Energy, Medical and Mould & Die customers.

Advanced manufacturing technology and an environmental focus, ensures JABRO's sustainable development and production of products that successfully respond to market demands in milling operations for both ferrous and non-ferrous materials.

- General Engineering
- Mould & Die
- Aerospace
- Medical
- Power Generation

JABRO® – SOLID²



Jabro-Solid² is a range of solid carbide end mills for applications in general machining, offering flexibility, speed and cost efficiency. Jabro-Solid² is available in a diameter range of Ø1-Ø25 mm and in inch Ø1/32 - 1 1/4.

Jabro-Solid² also includes a group of dedicated advanced roughing tools (554 3C). These tools offer excellent performance when applied in well defined tool paths with constant arc of contact with high cutting speed and high cutting depth applications. For the complete range of JS500 series tools all chamfer ($c^{\circ}45^{\circ}$) have the following tolerances: $c = D_c \leq 3 = +0,01$, $3 < D_c \leq 6 = +0,02$, $6 < D_c \leq 10 = +0,03$, $10 < D_c \leq 14 = +0,04$, $14 < D_c \leq 18 = +0,05$, $18 < D_c \leq 24 = +0,06$. All Jabro-Solid² product codes begin with JS. Please see page 8 for a grouped overview of JS² products

JABRO® – HSM/TORNADO (High speed machining)



A complete range of peak performance coated solid carbide milling cutters specially developed for High Speed Machining (HSM) with a diameter range from 2-20 mm in various geometrical styles.

All HSM/Tornado product codes begin with JH.

Please see page 8 for a grouped overview of HSM 'tornado' products.

JABRO® – HPM (High performance machining)



A complete range of peak performance coated solid carbide milling cutters specially developed to reach high metal removal rates in different materials.

Diameter range from 2-25 mm.

All HPM product codes begin with JHP.

Please see page 8 for a grouped overview of high performance machining (HPM) products.

JABRO® – HFM (High feed machining)



A range of solid carbide tools for High Feed Machining.
Can also be used for plunge milling.
Diameter range from 1,5-12 mm.
All HFM product codes begin with JHF.
Please see page 8 for a grouped overview of high feed machining (HFM) products.

JABRO® – MINI (Micro machining)



Miniature 'MEGA-64-T', 'MEGA-T' and 'DIAMOND' coated solid carbide milling cutters with a diameter range from 0,1 mm (.0039") to 2,0 mm (.0787")
All MINI product codes begin with JM.
Please see page 9 for a grouped overview of micro machining (MINI) products.

JABRO® – DIAMOND



Solid carbide milling cutters with Chemical Vapour Deposition (CVD) 'DIAMOND' coating for machining abrasive materials like graphite.
Diameter range from 3-12 mm.
DIAMOND product codes begin with JD and JM for MINI DIAMOND.
please see page 9 for a grouped overview of diamond coated (DIAMOND) products.

JABRO® – COMPOSITE



The Jabro JC800 range cutters are specifically designed to machine composite parts efficiently.

The JC family of tools includes a wide range of cutters with the high degree of specialisation needed to meet the specific requirements of these diverse composite materials. The cutters are designed for elimination of fibre break out and delamination as well as improved edge finish.

All Composite product codes begin with JC.

Please see page 9 for a grouped overview of Composite (JC) products.

The Jabro JPD800 series are brazed PCD end mills designed for machining composites. All PCD product codes begin with JPD.

JABRO® – VHM (General engineering)



A selection of solid carbide coated and uncoated cutters.

Diameter range from 1-32 mm.

All VHM product codes begin with J.

Please see page 9 for a grouped overview of the (VHM) products.

The quality of a tool is dependent on the tool material, geometry and coating.

Solid carbide:

A solid carbide tool is highly dependent on the quality of the cemented carbide.

Seco-Jabro determines the carbide used in new developments after extensive research and by using results from laboratory and field tests.

Advanced technology ensures high quality carbide offering longer and repeatable tool life.

Coating:

Coating is an important factor in the success of a carbide cutting tool.

Seco applies PVD and CVD coatings.

The PVD coatings are: MEGA-T (MT), MEGA-64 (M64), SIRON-A (SIRA) and NXT

The CVD coatings are: DIAMOND and DURA.

The coating protects the cutting edge of the tool against wear. During machining the temperature can reach 900°.

The insulating properties of the coating protect the basic material. The hardness of a typical PVD coating is higher than the hardness of carbide.

The new NXT coating is an advanced TiAlN based coating specifically designed to perform in wide range of materials.

Due to this the tool has higher resistance to wear with a longer tool life as a result.

The coating also ensures reduced friction, so the wear develops less rapidly and the chip removal is optimized.





DIAMOND coating is specially developed for machining graphite, a highly abrasive material.

The very hard and homogeneous structure of the Dura coating makes the tool very resistant to the wear caused by machining composites.






Product family	Technology	Product	1**	4**	5**	6**	7**	8**	9**
Jabro-Solid ²	General machining	JS		■	■				
Jabro - HPM	High performance machining	JHP	■	■			■		■
Jabro - HFM	High feed machining	JHF	■						■
Jabro - Mini	Micro machining	JM	■	■		■			■
Jabro - HSM/Tornado	High speed machining	JH	■	■			■		■
Jabro - Diamond	Graphite machining	JD				■			
Jabro - Composites	Composite machining	JC, JPD						■	
Jabro - VHM	General machining	J		■					■
Jabro-HSS-E	General machining	JCO					■		■

SMG		1**	4**	5**	6**	7**	8**	9**
P1-8				■				■
P11				■				■
M1-3				■		■		
M4-5				■		■		
K1-7				■				■
S1-3				■		■		
S11-13				■		■		
H		■		■				
N1			■	■				
N2-3			■	■				
N11			■	■				
TS			■	■			■	
TP			■	■			■	
GR					■			

For further explanation on SMG please see page 331

	Page	Family name	Name	P1-8	P11	M1-3	M4-5	K1-7	N1	N2-3	N11	S1-3	S11-13	H3-31	TS1	TS2-3	TS4	TP1	TP2-3	TP4	Honeycomb	GR		
	26-30	JS ²	JS512	●	●	●	○	●	○	○	○	○	●	○	○	○			○			○	○	
	31-36		JS513	●	●	○	○	●	○	○	○	○	○	●	○	○	○			○			○	○
	37-41		JS514	●	●	○	○	○	○	○	○	○	○	○	○	○	○			○			○	○
	42-51		JS553	●	●	●	●	●	●	●	●	●	●	●	●	●	●	●		●			○	○
	52-69		JS554	●	●	●	●	●	●	●	●	●	●	●	●	●	●	●		●			○	○
	182-184		JS412							●	●						●			●				
	185-187		JS413							●	●						●			●				
	188-190		JS452							●	●						●			●				
	191-195		JS453							●	●						●			●				
	70-73		JS520	●	●	○	○	●	●	●	●	●	○	●	○	○	●			●			○	○
	75-78		JS522	●	●	●	●	●	●	●	●	●	○	●	○	○	●			●			○	○
	80-83		JS532	●	●	●	●	●	●	●	●	●	○	●	○	○	●			●			○	○
	84-86		JS533	●	●	●	●	●	●	●	●	●	○	●	○	○	●			●			○	○
	87-90		JS534	●	●	●	●	●	●	●	●	●	○	●	○	○	●			●			○	○
	91-93		JS506	●	●	●	●	●	●	●	●	●	○	●	○	○	●			●			○	○
	94-96		JS509	●	●	●	●	●	●	●	●	●	○	●	○	○	●			●			○	○
	200	HSM/TORNADO	JH40						●		●				●									
	150-152, 242-244		JH111					●								●								
	232-233		JH120													●								
	234-235		JH130													●								
	145-147, 239-241		JH141	●	●			●								●								
	153-154, 245-246		JH150	●	●			●								●								
	155-156, 247-248		JH160	●	●											●								
	202-203		JH410							●	●						●			●				
	204-207		JH421							●	●						●			●				
	212-213		JH440							●	●	●					●			●				
	214-215		JH450							●	●	●					●			●				
	216-217		JH460							●	●	●					●			●				
	176-177		JH720			●	●						○	●										
	208-209		JH820								●													
	210-211		JH830								●													
	97-100		JH910	●	●	●	●	●	●	●	●	●	●	●	●	●	●			●			●	●
101-103, 236-238	JH930	●	●	●	●	●	●	●	●	●	●	●	●	●	●									
104-105, 148-149	JH970	●	●	●	●	●	●	●	●	●	●	●	●	●	●									
	225-227	HPM	JHP170											●										
	159-161		JHP750										●	●										
	162-164		JHP760			●	●																	
	165-169		JHP770											●										
	170-172		JHP780										●											
	198-199		JHP490							●	●	●												
	142-144		JHP951	●	●			●																
139-141	JHP993	●	●			●																		
	228-231	HFM	JHF180		○									●										
	106-108		JHF980	●	●	●	●	●					●	●	○									

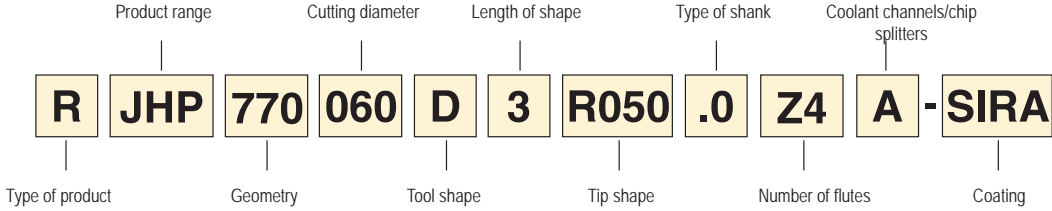
● Preferred choice, ○ Alternative choice

	Page	Family name	Name	P1-8	P11	M1-3	M4-5	K1-7	N1	N2-3	N11	S1-3	S11-13	H3-31	TS1	TS2-3	TS4	TP1	TP2-3	TP4	Honeycomb	GR	
	312-313	MINI DIAMOND	JM600																			•	
	314-315		JM610																				•
	316-317		JM650																				•
	318-319		JM655																				•
	249-251	MINI	JM103/JM106												•								
	252-253		JM113/JM116												•								
	218-219		JM403/406							•	•	•					•			•			
	220-221		JM413/416							•	•	•					•			•			
	128-132		JM905	•	•	•	•			○	○	○			•	○							○
	133-135		JM915	•	•	•	•			○	○	○			•	○							
128-132	JM920		•	•	•	•			○	○	○			•	○								○
133-135	JM925		•	•	•	•			○	○	○			•	○								○
	300-301	DIAMOND	JD620																			•	
	302-303		JD630																				•
	304-305		JD640																				•
	306-307		JD660																				•
	306-307		JD660																				•
	308-309		JD665VL																				•
	310-311		JD670																				•
	258-260	COMPOSITE	JC840													•				•			
	261-262		JC845														•				•		
	263-264		JC850														•				•		
	265-267		JC860														•				•	•	
	268-269		JC870														•				•	•	
	273-272		JC871														•				•	•	
	278-280		JC875														•				•	•	
	281-282		JC880														•				•	•	
	283-284	JC885														•				•	•		
	285-286	PCD	JPD840														•				•		
	287-288		JPD850														•				•		
	289-290		JPD880														•				•		
291-292	JPD890															•				•			
	295-296	VHM	J28												•								
	111-112		J36	○	○	○	○	○	○		•	○	○			○				○			
	113-123		HK/HKM	•	•	•	•	•	•	•	○	•	•	•	•	•	•			•			•
	124-125		TDM	•	•	•	•	•	•	•	•	•	•	•	•	•	•			•			
	126-127		V31	•	•	•	•	•	•	•	•	•	•	•	•	•	•			•			•
	109-110		J29	•	•	•	•	•	•	•	•	•	•	•	•	•	•			•			•
293-294	J93/J99-F														•				•				
	173-175	Hss-Co	JCO710			•	•						•										

• Preferred choice, ○ Alternative choice

Code key – For catalogue products, valid for following geometries:

JS512,513,514,553,554,520,506,509,412,413,452,453
 JHP951,993,770,780
 JC845, 875, 885, JPD840, 850, 880, 890, JCO710



Product range

- J = JABRO® VHM
- JC = JABRO® Composites
- JD = JABRO® Diamond
- JH = JABRO® HSM/Tornado
- JHF = JABRO® HFM
- JHP = JABRO® HPM
- JM = JABRO® Mini
- JS = JABRO® SOLID²
- JPD = JABRO® PCD
- JCO = JABRO® HSS-Co

Type of product

- BLANK = Standard (catalogue) product
- R = Reconditioned product (complete)
- RK = Reconditioned product (frontal)

Length of shape

A single digit that gives an indication of the length of the cutter compared to other products with the same cutting geometry. This replaces the previous L, XL, SL, K, and other versions. For most products 1=K, 2=N, 3=L, 4=XL

Number of flutes

This figure indicates the number of flutes in the cutter. For example; Z2= 2 flutes, Z6 = 6 flutes

Cutting diameter

Metric = 3 digit code (in case of 4 digit code – xx,xx mm)
 Imperial = a dot followed by a 3 digit code
 For example: (050 = metric, 5 mm) / (.500 = imperial, ½ inch)

Coolant channels/chip splitters

- BLANK = No coolant channels
- A = Internal coolant channel(s)
- C = Chip splitters

Geometry

Geometry
 A three-digit combination specifying the cutting geometry. For example; 111, 950, 553, 514, etc.

Type of shank

- Indicates the shank types that are available.
- .0 = Cylindrical
- .3 = Weldon
- .5 = Whistle Notch
- .9 = Safe-Lock

Tip shape						Coating
Sharp	Ball-nose	Corner radius	Concave radius	Chamfer	High feed	4 character code specifying the coating on the cutter.
						MEGA = MEGA MT = MEGA-T M64 = MEGA-64 M64T = MEGA-64-T TRI = TRIBON SIRA = SIRON-A HEMI = HEMI DIA = DIAMOND DURA = DURA NXT = NXT
S	B	R...	K...	C	H	
<p>Size of radius for convex and concave radius tipped products</p> <p>000 = For metric products the tip shape is shown by a three-digit figure. By dividing this figure by 100 you will get the actual corner radius size in millimetres.</p> <p>.000 = For imperial products the tip shape is shown by a dot, followed by a three-digit figure. This figure actually shows the size of the corner radius in inch (e.g. R.100 would indicate a radius of 0.100 inch).</p>						

Tool shape						
$(D_c = dm_m)$		$(D_c < dm_m)$				$(D_c > dm_m)$
D	E	F	G	J	N	P

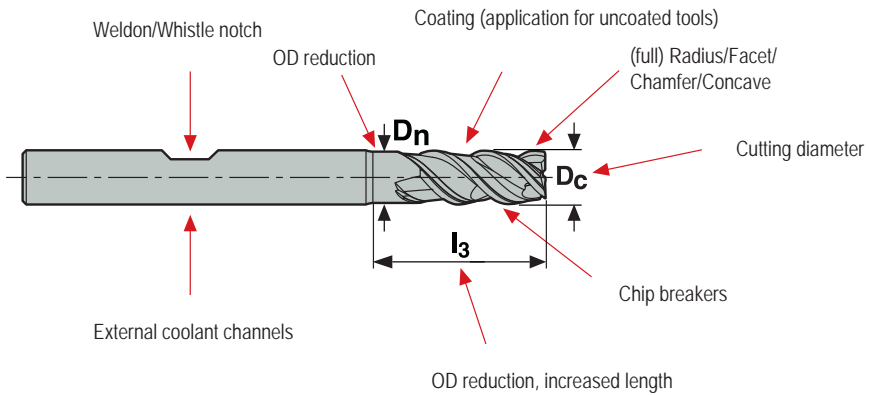
Custom tools

A significant part of Seco's offer is in the form of 'Custom Tools'. Here there is expertise in all the major customer segments including Aerospace, Power Generation and Medical Engineering. Seco engineers work in close cooperation with customers to provide the best possible solution to specific machining challenges where the demands stretch beyond standard tools.



Modified tools

Seco offers a quick delivery solution for standard tools requiring modification to meet specific dimensional requirements.



For further information on custom, modified and reconditioned tools please contact your local Seco representative.

Reconditioning cuts cost and tools inventory



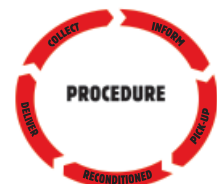
Seco’s modern carbide tools offer remarkable performance by utilizing the best combinations of carbide substrates with highly wear resistant coatings, optimized cutting geometry and controlled edge preparation. However good a tool is, as part of its function, it will eventually show signs of wear on the cutting edge. Controlling this wear and the timely replacement of the tool will allow the used tool to be reconditioned, thus reducing tool investment costs.

At Seco, your solid carbide tools are reconditioned using the same advanced technology and care that we use to manufacture our new products.



Your benefits from reconditioning

- Manufactured to Seco’s high standards with the original Seco geometry, edge preparation and coating processes.
- Savings on tooling costs by repeated use of the same solid carbide tool.
- Our easy to use and free ‘reconditioning box’ includes a pre-prepared delivery note.
- Free, reliable collection on the following day when you call your Seco contact for pick up.
- An easy process due to the package service, reconditioning box and prepared delivery note. Delivery via the normal Seco channels.
- Safe transportation and storage of the reconditioned tools by packaging them in similar packaging as new tools.
- A new packaging label is included.
- Work towards greener and cleaner environment. -Seco’s processes are globally certified with ISO14001.
- Guaranteed quality, as all processes are ISO9001 certified.



Basic operations:

- Face milling
- Slot milling
- Side milling
- Copy milling

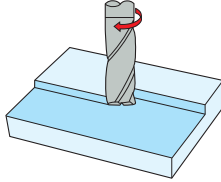
Definitions, basic operations:

Face milling:

Operation where the tool is in engagement with less than 180° arc of contact.

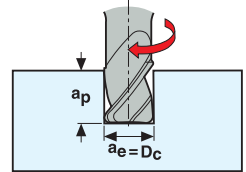
Tool engagement:

Small a_p and large a_e .



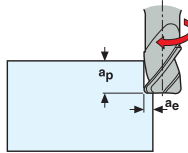
Slot milling:

Operation where the full diameter is in engagement, a_e is equal to D_c and a_p up to $1\frac{1}{2}$ times D_c depending on the machining strategy in use.



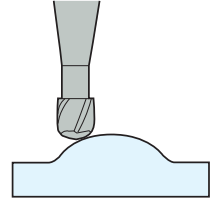
Side milling:

Operation where the side of the tool is in engagement, a_p is large and a_e is small.



Copy milling:

Operation where the radius is in engagement. a_p and a_e are both small.



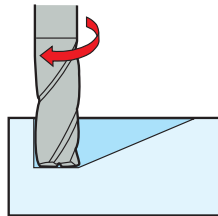
Advanced machining methods:

- Ramping
- Advanced roughing / Optirough
- Helical interpolation
- Trochoidal milling
- Push-pull
- Plunge milling
- Z-leveling
- Drilling

Definitions, advanced machining methods:

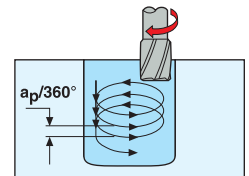
Ramping:

Opening up a pocket by making a Z axis at an angle.



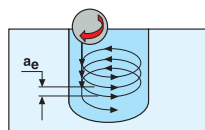
Helical interpolation ramping:

Opening a pocket by making a circular movement with the tool while ramping in Z axis.



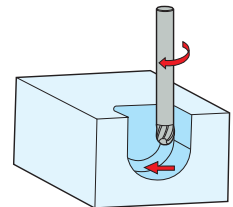
Trochoidal:

Opening a slot by using side milling, making a partial circular movement in X- or Y-axis. (changing slot milling into side milling).



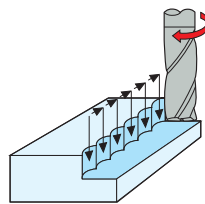
Push-pull:

Machining a 3D form by making a down and up copying movement following the profile of the form.



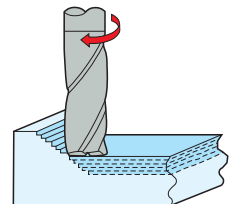
Plunge milling:

Opening up a deep slot by using drilling (Z) axis.



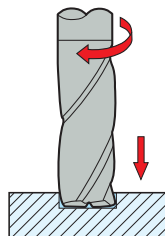
Z-leveling:

Machining a surface by making a small drilling or ramping in Z axis then opening the pocket with X and Y movements.



Drilling:

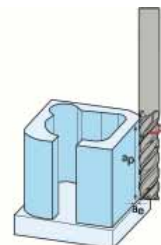
Making a hole with movement in Z axis.



Advanced roughing/Optirough

Well defined tool paths with constant arc of contact for reliable roughing of simple & complex shapes.

The large axial depths (a_p) & small radial depths (a_e) of cut combined with high feeds per tooth (f_z) and cutting speeds (V_c) results in high productivity.



Definitions:

Machining strategies:

- General machining
- High speed machining
- High performance machining
- High feed machining
- Micro machining
- Advanced roughing / Optirough

Definitions, machining strategies:

General machining:

A machining strategy for general use. a_e - a_p ratio can vary depending on the operation.

Tool characteristics: Tools have relatively long cutting lengths and thin core diameters. There are no high requirements on the tolerances.

Machine requirements: There are no special machine requirements needed.

With basic CNC technology, difficult advanced machining methods are not possible.

Average results will be reached on metal removal rate Q (cm^3/min).

The application area usually includes small batch sizes and a wide range of materials.

High speed machining:

Is a machining strategy where a combination of a small radial depth of cut and high cutting speed and table feeds are used.

Depending on the method a high metal removal and a low R_a value can be reached. Typical for this strategy are the low cutting forces, less heat build up in tool and workpiece, less burr formation and high dimensional accuracy on the workpiece.

With HSM (High Speed Machining) you achieve high metal removal rate and/or surface finish by using a much higher cutting speed compared to general machining.

Tool characteristics: Stable, (thick core diameter and a short cutting length) clear and well formed chip space for good chip evacuation, coating.

Machine requirements: Quick CNC control, high RPM, quick transmission to the axis.

The applications area is: Mould & Die industry on pre-finishing and finishing operations in hardened steel (48-62 HRC) in a short lead time.

This technique can also be applied in most other materials when using the right tool and advanced machining method.

High Performance Machining:

Is a machining strategy where very high metal removal rates can be achieved. Typical for this strategy is that a_e is 1 times D_c and a_p is 1 to 1½ times D_c depending the workpiece material.

With HPM (High Performance Machining) you achieve an extremely high metal removal rate by using a much higher chip load than in general machining.

Tool characteristics: Specially developed chip formers in the flute of the tool, tip protection with a small 45° face or corner radius, special smooth formed chip space and coating, with or without Weldon shank.

Machine requirements: High stability, high power requirements, CNC control, rigid clamping system.

The application areas are: Operations in a mass production environment where production time/lead time is of great importance or on single products where a high metal removal rate Q (cm^3/min .) is required.

High Feed Machining:

Is a machining strategy where high feed rates can be reached with large radial engagements (a_e) in combination with a small a_p .

With HFM (High Feed Machining) you achieve high metal removal rates and/or surface finish by using a much higher table feed compared to general machining.

Tool characteristics: Specially developed front teeth, very short cutting length and coating.

Machine requirements: Good stability, CNC, possibility for high table feed (v_f).

The big advantage of this technology is that it is very user friendly, easy, safe and quick to program in CAM. By using the so called Z-leveling strategy it is relatively easy to program complex forms without the necessity of having extensive experience in programming.

The application area is: From soft to hardened steel, titanium and stainless steel and it is very good as a pre operation before HSM is used.

It can also be applied in deep pocket machining.

Micro machining:

Is a machining strategy where extremely small tool diameters are used.

Tool characteristics: Diameter range \varnothing 0,1 to 2,0 mm, small cutting lengths, a wide range of OD reductions, high accuracy, coating.

Machine requirements: High spindle accuracy, high RPM, CNC, thermal stability against spindle growth.

Application area is: Production of cavities like slots, pockets, holes or engravings in many types of material.

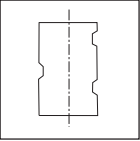
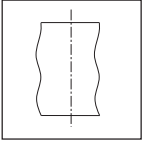
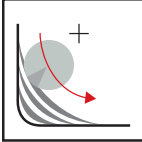
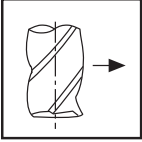
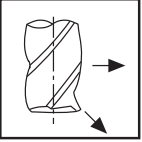
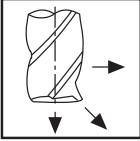
Advanced roughing / Optirough:

Advanced roughing / Optirough (method/strategy): Well defined tool paths with constant arc of contact for reliable roughing of simple & complex shapes.

The large axial depths (a_p) & small radial depths (a_e) of cut combined with high feeds per tooth (f_z) and cutting speeds (V_c) results in high productivity.

Centre cut $z_n=1$	Centre cut $z_n=2$	2 teeth across center $z_n=2$	No centre cut $z_n=2$	Uneven pitch $z_n=2$	No centre cut $z_n=3$
Centre cut $z_n=3$	Uneven pitch $z_n=3$	Centre cut $z_n=4$	2 teeth across centre $z_n=4$	4 teeth across centre $z_n=4$	No teeth across centre $z_n=4$
Uneven pitch $z_n=4$	Uneven pitch / 1 teeth across centre $z_n=4$	No centre cut $z_n=5$	No centre cut $z_n=6$	No centre cut $z_n=8$	PCD
HSS-Co	Cylindrical shank	Weldon	SafeLock	Sharp	Full radius
Corner radius	Chamfer	Tapered sharp	250° sphere	Helix angle 30°	Double helix 20° - 20°
Helix angle left 15°	Curved helix	Unequal helix	Cutting rake 10°	ICC end Y	Roughing profile

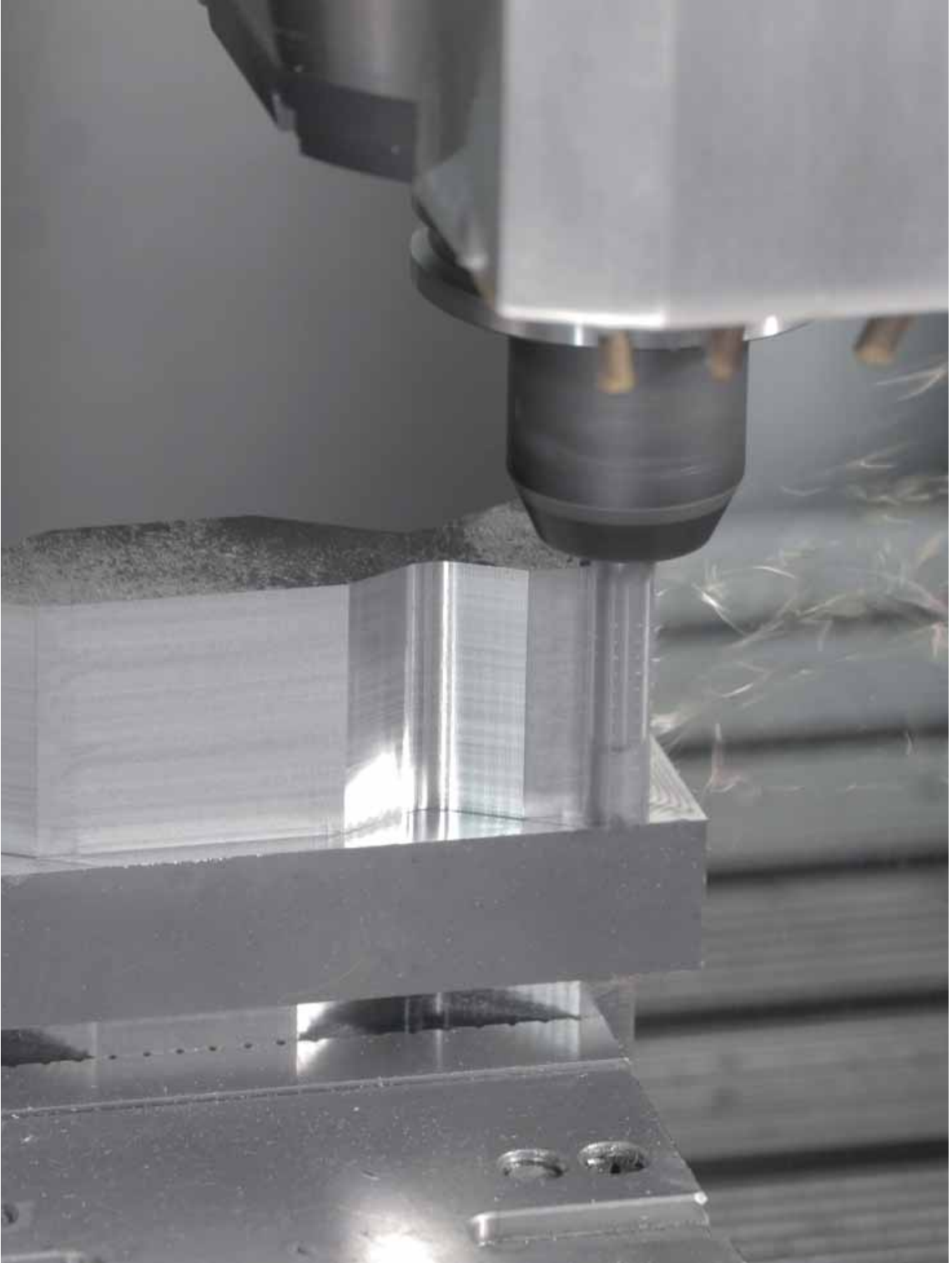
Remark: not all picture key symbols are mentioned.

 <p>Chip splitters</p>	 <p>Variable flute profile</p>	<p>MEGA-64-T</p> <p>Mega-64-T (M64)</p>	<p>DURA</p> <p>Dura</p>	<p>HEMI</p> <p>Hemi</p>	<p>MEGA-T</p> <p>Mega-T (MT)</p>
<p>MEGA</p> <p>Mega</p>	<p>MEGA-64</p> <p>Mega-64 (M64)</p>	<p>TRIBON</p> <p>Tribon(TRI)</p>	<p>SIRON-A</p> <p>Siron-A (SIRA)</p>	<p>DIAMOND</p> <p>Diamond (DIA)</p>	<p>M64</p> <p>M64</p>
<p>NXT</p> <p>NXT</p>	<p>MT</p> <p>MT</p>	<p>SIRA</p> <p>SIRA</p>	 <p>Advanced roughing</p>	 <p>Radial</p>	 <p>Radial/ ramping</p>
 <p>Radial ramping / plunging / drilling</p>					

Remark: not all picture key symbols are mentioned.

JS554 3C applied in advanced roughing.

Find the JS554-3C offering including cutting data advisements on page 65-69











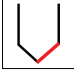

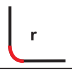







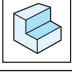
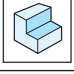
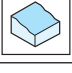
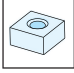
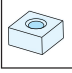
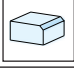
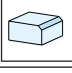


Name		JS512	JS513	JS514	JS553	JS554
Page		26-30	31-36	37-41	42-51	52-69
Family		JS ²	JS ²	JS ²	JS ²	JS ²
Type of mill						
Shank	Cylindrical	■	■	■	■	■
	Weldon	■	■	■	■	■
Number of flutes		2	3	4	3	4
ICC						
Diameter range	Metric	1-25	1-25	1-25	2-25	3-25
	Inch				1/8-1	1/4-1
Lengths available, based on length index						
		2,3,4	2,3,4	2,3,4	2,3	2,3
Operation						
SMG						
P1-8		●	●	●	●	●
P11		●	●	●	●	●
M1-3		●	●	○	●	●
M4-5		○	○	○	●	●
K1-7		●	●	●	●	●
S1-3		○	○	○	●	●
S11-13		●	●	●	●	●
H5 H8 H11 H12 H21		○	○	○	●	●
N1		○	○	○	●	●
N2-3		○	○	○	●	●
N11		○	○	○	●	●
TS1		○	○	○	●	●
TP1		○	○	○	●	●
GR		○	○	○	○	○

■ Stock standard □ Weldon available, delivery time is 3 days. ● Preferred choice, ○ Alternative choice

Name		JS520	JS522	JS532	JS533	JS534
Page		70-73	74-78	79-83	84-86	87-90
Family		JS ²	JS ²	JS ²	JS ²	JS ²
Type of mill						
Shank	Cylindrical	■	■	■	■	■
	Weldon	□		□	□	□
Number of flutes		5-8	2	2	3	4
ICC						
Diameter range	Metric	4-25	6-32	1-20	1-20	2-20
	Inch		5/16-1 1/4	1/32-3/4		1/32-3/4
Lengths available, based on length index		 2,3	 4	 1,2,3	 1,2	 1,2,3
Operation						
SMG						
P1-8		●	●	●	●	●
P11		●	●	●	●	●
M1-3		○	●	●	●	●
M4-5		○	●	●	●	●
K1-7		●	●	●	●	●
S1-3		○	○	○	○	○
S11-13		●	●	●	●	●
H5 H8 H11 H12 H21		○		○	○	○
N1		●	●	●	●	●
N2-3		●	●	●	●	●
N11		●	●	●	●	●
TS1		●	●	●	●	●
TP1		●	●	●	●	●
GR		○	○	○	○	○

■ Stock standard □ Weldon available, delivery time is 3 days. ● Preferred choice, ○ Alternative choice

						
						
Name		JS506	JS509	JH910	JH930	JH970
Page		91-93	94-96	97-100	101-103, 236-238	104-105, 148-149
Family		JS ²	JS ²	HSM/TORNADO	HSM/TORNADO	HSM/TORNADO
Type of mill						
Shank	Cylindrical	■	■	■	■	■
	Weldon	■	■			
Number of flutes		3-4	3-4	3	5-6-8	2
Diameter range	Metric	4-12	4-12	2-20	6-20	2-16
	Inch					
Lengths available, based on length index		 2	 2	 2,3,4	 2	 1,2,3
Operation						
						
						
						
SMG						
P1-8		•	•	•	•	•
P11		•	•	•	•	•
M1-3		•	•	•		•
M4-5		•	•	•		•
K1-7		•	•	•	•	•
S1-3		○	○	•	•	•
S11-13		•	•	•	•	•
H5 H8 H11 H12 H21		•	•		•	
N1		•	•			
N2-3		•	•			
N11		•	•			
TS1		•	•	•		
TP1		•	•	•		
GR		○	○	•		

■ Stock standard □ Weldon available, delivery time is 3 days. • Preferred choice, ○ Alternative choice

Name		JHF980	J29	J36	HK/HKM	TDM
Page		106-108	109-110	111-112	113-123	124-125
Family		HFM	VHM	VHM	VHM	VHM
Type of mill						
Shank	Cylindrical	■	■	■	■	■
	Weldon		□	□	□	□
Number of flutes		2-3	1	3	2-4	2-4
ICC						
Diameter range	Metric	0,5-10	0,2-6	2-20	1-10	3-10
	Inch					
Lengths available, based on length index		 1,2,3	 2	 2	 2	 2
Operation						
SMG						
P1-8		●	●	○	●	●
P11		●	●	○	●	●
M1-3		●	●	○	●	●
M4-5		●	●	○	●	●
K1-7		●	●	○	●	●
S1-3		●	●	○	●	●
S11-13		●	●	○	●	●
H5 H8 H11 H12 H21		●			●	
N1			●	○	●	●
N2-3			●		○	●
N11			●	●	●	●
TS1			●	○	●	●
TP1			●	○	●	●
GR			●		●	

■ Stock standard □ Weldon available, delivery time is 3 days. ● Preferred choice, ○ Alternative choice

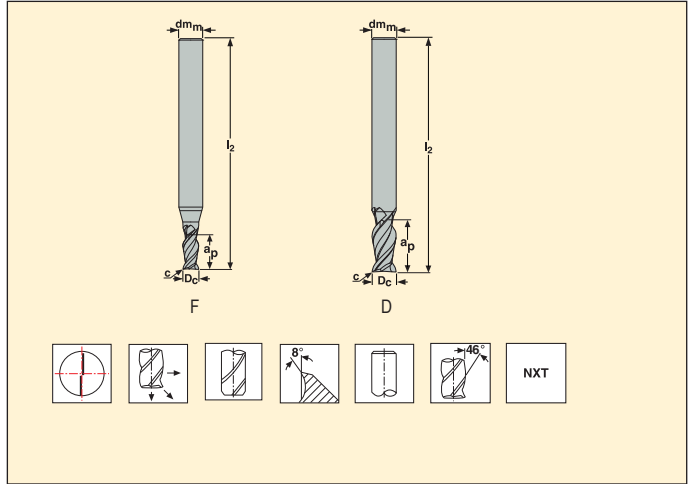
Name		V31	JM905	JM920	JM915	JM925
Page		126-127	128-132	128-132	133-135	133-135
Family		VHM	MINI	MINI	MINI	MINI
Type of mill						
Shank	Cylindrical	■	■	■	■	■
	Weldon	□				
Number of flutes		4	2 & 4	2 & 4	2	2
ICC						
Diameter range	Metric	6-28	0,1-2,0	0,1-2,0	0,1-2,0	0,1-2,0
	Inch					
Lengths available, based on length index						
		2	1,2,3,4,5,6,7	1,2,3,4,5,6,7	1,2,3,4,5,6	1,2,3,4,5,6
Operation						
SMG						
P1-8		●	●	●	●	●
P11		●	●	●	●	●
M1-3		●	●	●	●	●
M4-5		●	●	●	●	●
K1-7		●	●	●	●	●
S1-3		●				
S11-13		●	●	●	●	●
H5 H8 H11 H12 H21		●	○	○	○	○
N1		●	○	○	○	○
N2-3		●	○	○	○	○
N11		●	○	○	○	○
TS1		●				
TP1		●				
GR		●	○	○	○	○

■ Stock standard □ Weldon available, delivery time is 3 days. ● Preferred choice, ○ Alternative choice

JS512 – Solid carbide end mill – cylindrical – two flute – 45° chamfer



Tolerances:
 $dm_m = h5$
 $D_c = e8$



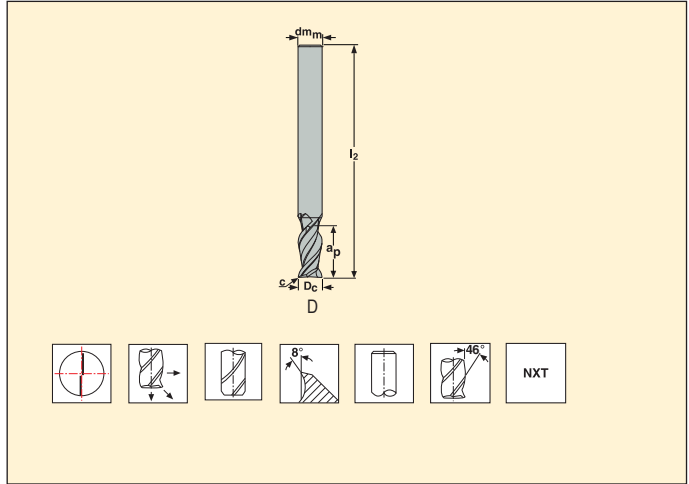
Part No.	Length index	Tool shape	Dimensions in mm				c x 45°	z _n	Cylindrical
			D _c	dm _m	a _p	l ₂			
JS512010F2C.0Z2-NXT	2	F	1	3	2	38	0,01	2	■
JS512015F2C.0Z2-NXT	2	F	1,5	3	3	38	0,015	2	■
JS512021F2C.0Z2-NXT	2	F	2	3	4	38	0,02	2	■
JS512020F2C.0Z2-NXT	2	F	2	6	4	57	0,02	2	■
JS512030D2C.0Z2-NXT	2	D	3	3	6	38	0,03	2	■
JS512030F2C.0Z2-NXT	2	F	3	6	6	57	0,03	2	■
JS512040D2C.0Z2-NXT	2	D	4	4	8	50	0,04	2	■
JS512040F2C.0Z2-NXT	2	F	4	6	8	57	0,04	2	■
JS512050D2C.0Z2-NXT	2	D	5	5	10	50	0,05	2	■
JS512050F2C.0Z2-NXT	2	F	5	6	10	57	0,05	2	■
JS512060D2C.0Z2-NXT	2	D	6	6	12	57	0,06	2	■
JS512080D2C.0Z2-NXT	2	D	8	8	16	63	0,08	2	■
JS512100D2C.0Z2-NXT	2	D	10	10	20	72	0,1	2	■
JS512120D2C.0Z2-NXT	2	D	12	12	24	83	0,12	2	■
JS512160D2C.0Z2-NXT	2	D	16	16	30	92	0,16	2	■
JS512200D2C.0Z2-NXT	2	D	20	20	35	104	0,2	2	■
JS512250D2C.0Z2-NXT	2	D	25	25	40	125	0,25	2	■
JS512010F3C.0Z2-NXT	3	F	1	3	3	38	0,01	2	■
JS512015F3C.0Z2-NXT	3	F	1,5	3	6	38	0,015	2	■
JS512020F3C.0Z2-NXT	3	F	2	6	7	57	0,02	2	■
JS512030F3C.0Z2-NXT	3	F	3	6	10	57	0,03	2	■
JS512040F3C.0Z2-NXT	3	F	4	6	14	57	0,04	2	■
JS512050F3C.0Z2-NXT	3	F	5	6	18	57	0,05	2	■
JS512060D3C.0Z2-NXT	3	D	6	6	20	63	0,06	2	■
JS512080D3C.0Z2-NXT	3	D	8	8	28	80	0,08	2	■
JS512100D3C.0Z2-NXT	3	D	10	10	35	89	0,1	2	■
JS512120D3C.0Z2-NXT	3	D	12	12	42	100	0,12	2	■
JS512160D3C.0Z2-NXT	3	D	16	16	50	115	0,16	2	■
JS512200D3C.0Z2-NXT	3	D	20	20	60	125	0,2	2	■
JS512250D3C.0Z2-NXT	3	D	25	25	70	150	0,25	2	■
JS512020F4C.0Z2-NXT	4	F	2	6	10	57	0,02	2	■
JS512030F4C.0Z2-NXT	4	F	3	6	15	57	0,03	2	■
JS512040F4C.0Z2-NXT	4	F	4	6	20	63	0,04	2	■
JS512050F4C.0Z2-NXT	4	F	5	6	25	63	0,05	2	■
JS512060D4C.0Z2-NXT	4	D	6	6	30	75	0,06	2	■
JS512080D4C.0Z2-NXT	4	D	8	8	40	100	0,08	2	■
JS512100D4C.0Z2-NXT	4	D	10	10	50	100	0,1	2	■

■ Stock standard. Subject to change refer to current price-and stock-list.

JS512 – Solid carbide end mill – cylindrical – two flute – 45° chamfer



Tolerances:
 $dm_m = h5$
 $D_c = e8$



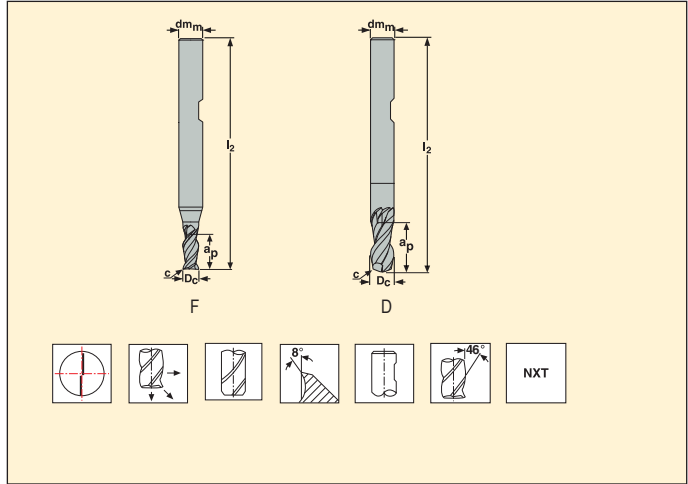
Part No.	Length index	Tool shape	Dimensions in mm				$c \times 45^\circ$	z_n	Cylindrical
			D_c	dm_m	a_p	l_2			
JS512120D4C.0Z2-NXT	4	D	12	12	60	125	0,12	2	■
JS512160D4C.0Z2-NXT	4	D	16	16	70	130	0,16	2	■
JS512200D4C.0Z2-NXT	4	D	20	20	80	150	0,2	2	■
JS512250D4C.0Z2-NXT	4	D	25	25	90	165	0,25	2	■

■ Stock standard. Subject to change refer to current price-and stock-list.

JS512 – Solid carbide end mill – Weldon – two flute – 45° chamfer




Tolerances:
 $dm_m = h5$
 $D_c = e8$



Part No.	Length index	Tool shape	Dimensions in mm				c x 45°	z _n	Weldon
			D _c	dm _m	a _p	l ₂			
JS512020F2C.3Z2-NXT	2	F	2	6	4	57	0,02	2	<input type="checkbox"/>
JS512030F2C.3Z2-NXT	2	F	3	6	6	57	0,03	2	<input type="checkbox"/>
JS512040F2C.3Z2-NXT	2	F	4	6	8	57	0,04	2	<input type="checkbox"/>
JS512050F2C.3Z2-NXT	2	F	5	6	10	57	0,05	2	<input type="checkbox"/>
JS512060D2C.3Z2-NXT	2	D	6	6	12	57	0,06	2	<input type="checkbox"/>
JS512080D2C.3Z2-NXT	2	D	8	8	16	63	0,08	2	<input type="checkbox"/>
JS512100D2C.3Z2-NXT	2	D	10	10	20	72	0,1	2	<input type="checkbox"/>
JS512120D2C.3Z2-NXT	2	D	12	12	24	83	0,12	2	<input type="checkbox"/>
JS512160D2C.3Z2-NXT	2	D	16	16	30	92	0,16	2	<input type="checkbox"/>
JS512200D2C.3Z2-NXT	2	D	20	20	35	104	0,2	2	<input type="checkbox"/>
JS512250D2C.3Z2-NXT	2	D	25	25	40	125	0,25	2	<input type="checkbox"/>
JS512020F3C.3Z2-NXT	3	F	2	6	7	57	0,02	2	<input type="checkbox"/>
JS512030F3C.3Z2-NXT	3	F	3	6	10	57	0,03	2	<input type="checkbox"/>
JS512040F3C.3Z2-NXT	3	F	4	6	14	57	0,04	2	<input type="checkbox"/>
JS512050F3C.3Z2-NXT	3	F	5	6	18	57	0,05	2	<input type="checkbox"/>
JS512060D3C.3Z2-NXT	3	D	6	6	20	63	0,06	2	<input type="checkbox"/>
JS512080D3C.3Z2-NXT	3	D	8	8	28	80	0,08	2	<input type="checkbox"/>
JS512100D3C.3Z2-NXT	3	D	10	10	35	89	0,1	2	<input type="checkbox"/>
JS512120D3C.3Z2-NXT	3	D	12	12	42	100	0,12	2	<input type="checkbox"/>
JS512160D3C.3Z2-NXT	3	D	16	16	50	115	0,16	2	<input type="checkbox"/>
JS512200D3C.3Z2-NXT	3	D	20	20	60	125	0,2	2	<input type="checkbox"/>
JS512250D3C.3Z2-NXT	3	D	25	25	70	150	0,25	2	<input type="checkbox"/>
JS512020F4C.3Z2-NXT	4	F	2	6	10	57	0,02	2	<input type="checkbox"/>
JS512030F4C.3Z2-NXT	4	F	3	6	15	57	0,03	2	<input type="checkbox"/>
JS512040F4C.3Z2-NXT	4	F	4	6	20	63	0,04	2	<input type="checkbox"/>
JS512050F4C.3Z2-NXT	4	F	5	6	25	63	0,05	2	<input type="checkbox"/>
JS512060D4C.3Z2-NXT	4	D	6	6	30	75	0,06	2	<input type="checkbox"/>
JS512080D4C.3Z2-NXT	4	D	8	8	40	100	0,08	2	<input type="checkbox"/>
JS512100D4C.3Z2-NXT	4	D	10	10	50	100	0,1	2	<input type="checkbox"/>
JS512120D4C.3Z2-NXT	4	D	12	12	60	125	0,12	2	<input type="checkbox"/>
JS512160D4C.3Z2-NXT	4	D	16	16	70	130	0,16	2	<input type="checkbox"/>
JS512200D4C.3Z2-NXT	4	D	20	20	80	150	0,2	2	<input type="checkbox"/>
JS512250D4C.3Z2-NXT	4	D	25	25	90	165	0,25	2	<input type="checkbox"/>

Weldon available, delivery time is 3 days.

Cutting data – JS512 Slotting

SMG		a _p / D _c	f _z													v _c	
			1	2	3	4	5	6	8	10	12	14	16	18	20		25
P1	E	1,0	0,0055	0,011	0,016	0,022	0,028	0,032	0,044	0,055	0,065	0,070	0,080	0,085	0,090	0,10	165 (140 – 195)
P2	E	1,0	0,0055	0,011	0,017	0,022	0,028	0,034	0,044	0,055	0,065	0,075	0,080	0,085	0,095	0,11	160 (135 – 190)
P3	E	1,0	0,0050	0,010	0,016	0,020	0,026	0,032	0,042	0,050	0,060	0,070	0,075	0,085	0,090	0,10	140 (120 – 165)
P4	E	1,0	0,0050	0,010	0,015	0,020	0,026	0,030	0,040	0,050	0,060	0,070	0,075	0,080	0,085	0,10	125 (105 – 145)
P5	E	1,0	0,0050	0,010	0,015	0,020	0,026	0,030	0,040	0,050	0,060	0,065	0,075	0,080	0,085	0,095	120 (100 – 140)
P6	E	1,0	0,0050	0,010	0,015	0,020	0,024	0,030	0,040	0,050	0,060	0,065	0,075	0,080	0,085	0,095	135 (110 – 155)
P7	E	1,0	0,0050	0,010	0,015	0,020	0,024	0,030	0,040	0,050	0,060	0,065	0,075	0,080	0,085	0,095	125 (105 – 145)
P8	E	1,0	0,0050	0,010	0,016	0,020	0,026	0,032	0,042	0,050	0,060	0,070	0,075	0,085	0,090	0,10	120 (100 – 140)
P11	E	1,0	0,0050	0,010	0,015	0,020	0,024	0,030	0,040	0,050	0,060	0,065	0,075	0,080	0,085	0,095	120 (100 – 145)
M1	E	0,80	0,0055	0,011	0,017	0,022	0,028	0,034	0,044	0,055	0,065	0,075	0,080	0,085	0,095	0,11	95 (85 – 110)
M2	E	0,80	0,0050	0,010	0,015	0,020	0,026	0,030	0,040	0,050	0,060	0,065	0,075	0,080	0,085	0,095	80 (70 – 90)
M3	E	0,65	0,0040	0,0080	0,012	0,016	0,020	0,024	0,032	0,040	0,048	0,055	0,060	0,065	0,070	0,075	65 (55 – 70)
M4	E	0,48	0,0036	0,0070	0,011	0,014	0,018	0,022	0,028	0,036	0,042	0,046	0,050	0,055	0,060	0,065	48 (42 – 55)
M5	E	0,48	0,0036	0,0070	0,011	0,014	0,018	0,022	0,028	0,036	0,042	0,046	0,050	0,055	0,060	0,065	40 (35 – 45)
K1	E	1,0	0,0055	0,011	0,017	0,022	0,028	0,034	0,044	0,055	0,065	0,075	0,080	0,085	0,095	0,11	145 (125 – 165)
K2	E	1,0	0,0050	0,010	0,015	0,020	0,026	0,030	0,040	0,050	0,060	0,065	0,075	0,080	0,085	0,095	130 (110 – 145)
K3	E	1,0	0,0050	0,010	0,015	0,020	0,026	0,030	0,040	0,050	0,060	0,065	0,075	0,080	0,085	0,095	110 (95 – 125)
K4	E	1,0	0,0050	0,010	0,015	0,020	0,026	0,030	0,040	0,050	0,060	0,065	0,075	0,080	0,085	0,095	105 (90 – 120)
K5	E	1,0	0,0046	0,0090	0,014	0,018	0,022	0,028	0,036	0,046	0,055	0,060	0,065	0,070	0,075	0,085	65 (55 – 70)
K6	E	1,0	0,0050	0,010	0,015	0,020	0,026	0,030	0,040	0,050	0,060	0,065	0,075	0,080	0,085	0,095	90 (80 – 105)
K7	E	1,0	0,0046	0,0090	0,014	0,018	0,022	0,028	0,036	0,046	0,055	0,060	0,065	0,070	0,075	0,085	80 (70 – 90)
N1	E	0,40	0,0060	0,012	0,018	0,024	0,030	0,036	0,048	0,060	0,070	0,080	0,090	0,095	0,10	0,11	620 (465 – 770)
N2	E	0,40	0,0060	0,012	0,018	0,024	0,030	0,036	0,048	0,060	0,070	0,080	0,090	0,095	0,10	0,11	400 (300 – 500)
N3	E	0,40	0,0060	0,012	0,018	0,024	0,030	0,036	0,048	0,060	0,070	0,080	0,090	0,095	0,10	0,11	265 (200 – 330)
N11	E	1,0	0,0060	0,012	0,018	0,024	0,030	0,036	0,048	0,060	0,070	0,080	0,090	0,095	0,10	0,11	295 (200 – 395)
S1	E	0,40	0,0032	0,0065	0,0095	0,013	0,016	0,019	0,026	0,032	0,038	0,044	0,048	0,050	0,055	0,060	39 (30 – 49)
S2	E	0,40	0,0032	0,0065	0,0095	0,013	0,016	0,019	0,026	0,032	0,038	0,044	0,048	0,050	0,055	0,060	39 (30 – 49)
S3	E	0,40	0,0030	0,0060	0,0090	0,012	0,015	0,018	0,024	0,030	0,036	0,040	0,044	0,048	0,050	0,055	23 (14 – 33)
S11	E	0,60	0,0040	0,0080	0,012	0,016	0,020	0,024	0,032	0,040	0,048	0,055	0,060	0,065	0,070	0,075	90 (65 – 115)
S12	E	0,60	0,0040	0,0080	0,012	0,016	0,020	0,024	0,032	0,040	0,048	0,055	0,060	0,065	0,070	0,075	70 (50 – 90)
S13	E	0,50	0,0034	0,0070	0,010	0,014	0,017	0,020	0,028	0,034	0,042	0,046	0,050	0,055	0,060	0,065	55 (40 – 70)
H5	M/A/D	0,22	0,0030	0,0060	0,0090	0,012	0,015	0,018	0,024	0,030	0,036	0,040	0,044	0,048	0,050	0,060	47 (38 – 55)
H8	M/A/D	0,20	0,0024	0,0046	0,0070	0,0090	0,012	0,014	0,018	0,024	0,028	0,030	0,034	0,036	0,040	0,044	49 (39 – 60)
H11	M/A/D	0,22	0,0030	0,0060	0,0090	0,012	0,015	0,018	0,024	0,030	0,036	0,040	0,044	0,048	0,050	0,060	60 (49 – 75)
H12	M/A/D	0,22	0,0030	0,0060	0,0090	0,012	0,015	0,018	0,024	0,030	0,036	0,040	0,044	0,048	0,050	0,060	100 (80 – 120)
H21	M/A/D	0,20	0,0024	0,0046	0,0070	0,0090	0,012	0,014	0,018	0,024	0,028	0,030	0,034	0,036	0,040	0,044	49 (39 – 60)
TS1	A	1,0	0,0070	0,014	0,022	0,028	0,036	0,042	0,055	0,070	0,085	0,095	0,10	0,11	0,12	0,13	510 (410 – 610)
TP1	A	1,0	0,0070	0,014	0,022	0,028	0,036	0,042	0,055	0,070	0,085	0,095	0,10	0,11	0,12	0,13	510 (410 – 610)
GR1	D/A	1,0	0,0050	0,010	0,015	0,020	0,026	0,030	0,040	0,050	0,060	0,065	0,075	0,080	0,085	0,095	530 (430 – 640)

SMG = Seco material group

Coolant = A=air D=dry E=emulsion M=mist spray

v_c = m/min

f_z = mm

a_p (mm)/D_c (mm) = factor

All cutting data are target values

Cutting data – JS512 Side milling $a_p/D_c = 0,4$

SMG		a_p / D_c	f_z													v_c	
			1	2	3	4	5	6	8	10	12	14	16	18	20		25
P1	M/A/D/E	1,2	0,0055	0,011	0,017	0,022	0,028	0,034	0,044	0,055	0,065	0,075	0,080	0,090	0,095	0,11	205 (175 – 240)
P2	M/A/D/E	1,2	0,0055	0,011	0,017	0,022	0,028	0,034	0,044	0,055	0,065	0,075	0,085	0,090	0,095	0,11	200 (170 – 235)
P3	M/A/D/E	1,2	0,0055	0,011	0,016	0,022	0,026	0,032	0,042	0,055	0,065	0,070	0,080	0,085	0,090	0,10	175 (145 – 205)
P4	M/A/D/E	1,2	0,0050	0,010	0,016	0,020	0,026	0,032	0,042	0,050	0,060	0,070	0,075	0,085	0,090	0,10	155 (130 – 180)
P5	M/A/D/E	1,2	0,0050	0,010	0,015	0,020	0,026	0,030	0,040	0,050	0,060	0,070	0,075	0,080	0,085	0,10	150 (125 – 175)
P6	M/A/D/E	1,2	0,0050	0,010	0,015	0,020	0,026	0,030	0,040	0,050	0,060	0,070	0,075	0,080	0,085	0,095	165 (140 – 195)
P7	M/A/D/E	1,2	0,0050	0,010	0,015	0,020	0,026	0,030	0,040	0,050	0,060	0,070	0,075	0,080	0,085	0,095	160 (130 – 185)
P8	M/A/D/E	1,2	0,0055	0,011	0,016	0,022	0,026	0,032	0,042	0,055	0,065	0,070	0,080	0,085	0,090	0,10	145 (120 – 170)
P11	M/A/D/E	1,2	0,0050	0,010	0,015	0,020	0,026	0,030	0,040	0,050	0,060	0,070	0,075	0,080	0,085	0,095	155 (130 – 180)
M1	E/M/A	1,0	0,0055	0,011	0,017	0,022	0,028	0,034	0,044	0,055	0,065	0,075	0,085	0,090	0,095	0,11	120 (105 – 135)
M2	E/M/A	1,0	0,0050	0,010	0,015	0,020	0,026	0,030	0,040	0,050	0,060	0,070	0,075	0,080	0,085	0,10	100 (85 – 110)
M3	E/M/A	0,80	0,0040	0,0080	0,012	0,016	0,020	0,024	0,032	0,040	0,048	0,055	0,060	0,065	0,070	0,080	80 (70 – 90)
M4	E/M/A	0,60	0,0036	0,0070	0,011	0,014	0,018	0,022	0,028	0,036	0,042	0,048	0,055	0,055	0,060	0,070	60 (55 – 70)
M5	E/M/A	0,60	0,0036	0,0070	0,011	0,014	0,018	0,022	0,028	0,036	0,042	0,048	0,055	0,055	0,060	0,070	50 (44 – 55)
K1	A/D/M/E	1,2	0,0055	0,011	0,017	0,022	0,028	0,034	0,044	0,055	0,065	0,075	0,085	0,090	0,095	0,11	180 (160 – 205)
K2	A/D/M/E	1,2	0,0050	0,010	0,015	0,020	0,026	0,030	0,040	0,050	0,060	0,070	0,075	0,080	0,085	0,10	160 (140 – 185)
K3	A/D/M/E	1,2	0,0050	0,010	0,015	0,020	0,026	0,030	0,040	0,050	0,060	0,070	0,075	0,080	0,085	0,10	135 (120 – 155)
K4	A/D/M/E	1,2	0,0050	0,010	0,015	0,020	0,026	0,030	0,040	0,050	0,060	0,070	0,075	0,080	0,085	0,10	130 (115 – 150)
K5	A/D/M/E	1,2	0,0046	0,0090	0,014	0,018	0,022	0,028	0,036	0,046	0,055	0,060	0,070	0,075	0,080	0,090	80 (70 – 90)
K6	A/D/M/E	1,2	0,0050	0,010	0,015	0,020	0,026	0,030	0,040	0,050	0,060	0,070	0,075	0,080	0,085	0,10	115 (100 – 130)
K7	A/D/M/E	1,2	0,0046	0,0090	0,014	0,018	0,022	0,028	0,036	0,046	0,055	0,060	0,070	0,075	0,080	0,090	100 (85 – 115)
TS1	A/D	1,0	0,0070	0,014	0,022	0,028	0,036	0,042	0,055	0,070	0,085	0,095	0,11	0,11	0,12	0,14	640 (510 – 770)
TP1	A/D	1,0	0,0070	0,014	0,022	0,028	0,036	0,042	0,055	0,070	0,085	0,095	0,11	0,11	0,12	0,14	640 (510 – 770)
GR1	A/D	1,4	0,0050	0,010	0,015	0,020	0,026	0,030	0,040	0,050	0,060	0,070	0,075	0,080	0,085	0,10	670 (530 – 800)

Cutting data – JS512 Side milling $a_p/D_c = 0,2$

SMG		a_p / D_c	f_z													v_c
			1	2	3	4	5	6	8	10	12	16	20	25		
N1	E/M/A	1,3	0,0075	0,015	0,022	0,030	0,038	0,046	0,060	0,075	0,090	0,11	0,13	0,14	860 (650 – 1075)	
N2	E/M/A	1,3	0,0075	0,015	0,022	0,030	0,038	0,046	0,060	0,075	0,090	0,11	0,13	0,14	560 (415 – 690)	
N3	E/M/A	1,3	0,0075	0,015	0,022	0,030	0,038	0,046	0,060	0,075	0,090	0,11	0,13	0,14	370 (280 – 465)	
S1	E	1,0	0,0040	0,0080	0,012	0,016	0,020	0,024	0,032	0,040	0,048	0,060	0,070	0,075	55 (41 – 70)	
S2	E	1,0	0,0040	0,0080	0,012	0,016	0,020	0,024	0,032	0,040	0,048	0,060	0,070	0,075	55 (41 – 70)	
S3	E	1,0	0,0038	0,0075	0,011	0,015	0,019	0,022	0,030	0,038	0,044	0,055	0,065	0,070	32 (19 – 45)	
S11	E	1,3	0,0050	0,010	0,015	0,020	0,026	0,030	0,040	0,050	0,060	0,075	0,085	0,095	125 (90 – 160)	
S12	E	1,3	0,0050	0,010	0,015	0,020	0,026	0,030	0,040	0,050	0,060	0,075	0,085	0,095	95 (70 – 125)	
S13	E	1,1	0,0044	0,0090	0,013	0,018	0,022	0,026	0,036	0,044	0,050	0,065	0,075	0,085	75 (55 – 100)	
H5	M/A/D	0,22	0,0038	0,0075	0,011	0,015	0,019	0,022	0,030	0,038	0,044	0,055	0,065	0,070	65 (55 – 80)	
H8	M/A/D	0,20	0,0028	0,0060	0,0085	0,012	0,014	0,017	0,024	0,028	0,034	0,042	0,048	0,055	70 (55 – 80)	
H21	M/A/D	0,20	0,0028	0,0060	0,0085	0,012	0,014	0,017	0,024	0,028	0,034	0,042	0,048	0,055	70 (55 – 80)	
H31	M/A/D	0,20	0,0026	0,0050	0,0075	0,010	0,013	0,015	0,020	0,026	0,030	0,036	0,042	0,048	50 (42 – 65)	

SMG = Seco material group

Coolant = A=air D=dry E=emulsion M=mist spray

v_c = m/min

f_z = mm

a_p (mm)/ D_c (mm) = factor

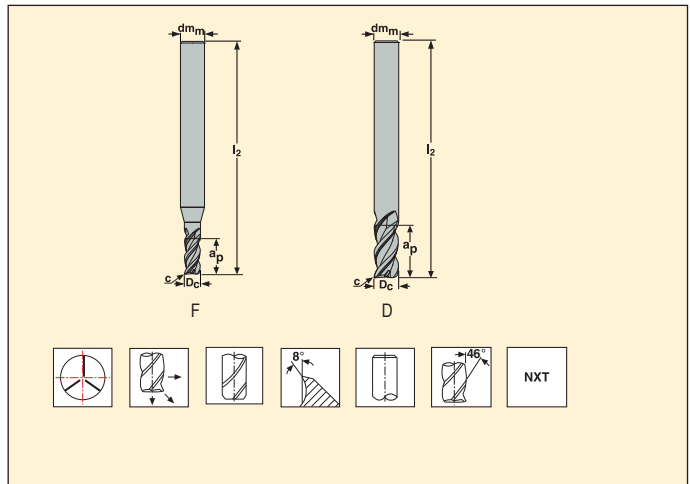
a_e (mm)/ D_c (mm) = factor

All cutting data are target values

JS513 – Solid carbide end mill – cylindrical – three flute – 45° chamfer



Tolerances:
 $dm_m = h5$
 $D_c = e8$



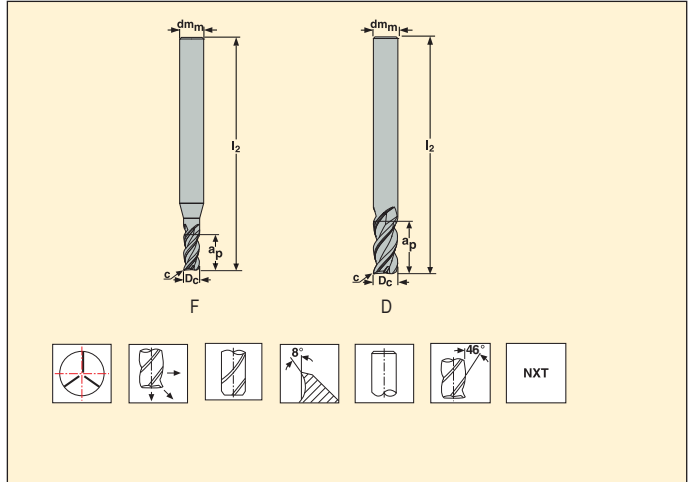
Part No.	Length index	Tool shape	Dimensions in mm				c x 45°	z _n	Cylindrical
			D _c	dm _m	a _p	l ₂			
JS513010F2C.0Z3-NXT	2	F	1	3	2	38	0,01	3	■
JS513015F2C.0Z3-NXT	2	F	1,5	3	3	38	0,015	3	■
JS513021F2C.0Z3-NXT	2	F	2	3	4	38	0,02	3	■
JS513020F2C.0Z3-NXT	2	F	2	6	4	57	0,02	3	■
JS513025F2C.0Z3-NXT	2	F	2,5	6	5	57	0,025	3	■
JS513030F2C.0Z3-NXT	2	F	3	6	6	57	0,03	3	■
JS513030D2C.0Z3-NXT	2	D	3	3	6	38	0,03	3	■
JS513040F2C.0Z3-NXT	2	F	4	6	8	57	0,04	3	■
JS513040D2C.0Z3-NXT	2	D	4	4	8	50	0,04	3	■
JS513050F2C.0Z3-NXT	2	F	5	6	10	57	0,05	3	■
JS513050D2C.0Z3-NXT	2	D	5	5	10	50	0,05	3	■
JS513060D2C.0Z3-NXT	2	D	6	6	12	57	0,06	3	■
JS513080D2C.0Z3-NXT	2	D	8	8	16	63	0,08	3	■
JS513100D2C.0Z3-NXT	2	D	10	10	20	72	0,1	3	■
JS513120D2C.0Z3-NXT	2	D	12	12	24	83	0,12	3	■
JS513140D2C.0Z3-NXT	2	D	14	14	28	83	0,14	3	■
JS513160D2C.0Z3-NXT	2	D	16	16	30	92	0,16	3	■
JS513180D2C.0Z3-NXT	2	D	18	18	35	100	0,18	3	■
JS513200D2C.0Z3-NXT	2	D	20	20	35	104	0,2	3	■
JS513250D2C.0Z3-NXT	2	D	25	25	40	125	0,25	3	■
JS513010F3C.0Z3-NXT	3	F	1	3	3	38	0,01	3	■
JS513015F3C.0Z3-NXT	3	F	1,5	3	6	38	0,015	3	■
JS513020F3C.0Z3-NXT	3	F	2	6	7	57	0,02	3	■
JS513025F3C.0Z3-NXT	3	F	2,5	6	9	57	0,025	3	■
JS513030F3C.0Z3-NXT	3	F	3	6	10	57	0,03	3	■
JS513040F3C.0Z3-NXT	3	F	4	6	14	57	0,04	3	■
JS513050F3C.0Z3-NXT	3	F	5	6	18	57	0,05	3	■
JS513060D3C.0Z3-NXT	3	D	6	6	20	63	0,06	3	■
JS513080D3C.0Z3-NXT	3	D	8	8	28	80	0,08	3	■
JS513100D3C.0Z3-NXT	3	D	10	10	35	89	0,1	3	■
JS513120D3C.0Z3-NXT	3	D	12	12	42	100	0,12	3	■
JS513140D3C.0Z3-NXT	3	D	14	14	50	120	0,14	3	■
JS513160D3C.0Z3-NXT	3	D	16	16	50	115	0,16	3	■
JS513200D3C.0Z3-NXT	3	D	20	20	60	125	0,2	3	■
JS513250D3C.0Z3-NXT	3	D	25	25	70	150	0,25	3	■

■ Stock standard. Subject to change refer to current price-and stock-list.

JS513 – Solid carbide end mill – cylindrical – three flute – 45° chamfer



Tolerances:
 $dm_m = h5$
 $D_c = e8$



Part No.	Length index	Tool shape	Dimensions in mm				c x 45°	z _n	Cylindrical
			D _c	dm _m	a _p	l ₂			
JS513020F4C.0Z3-NXT	4	F	2	6	10	57	0,02	3	■
JS513025F4C.0Z3-NXT	4	F	2,5	6	13	57	0,025	3	■
JS513030F4C.0Z3-NXT	4	F	3	6	15	57	0,03	3	■
JS513040F4C.0Z3-NXT	4	F	4	6	20	57	0,04	3	■
JS513050F4C.0Z3-NXT	4	F	5	6	25	63	0,05	3	■
JS513060D4C.0Z3-NXT	4	D	6	6	30	80	0,06	3	■
JS513080D4C.0Z3-NXT	4	D	8	8	40	100	0,08	3	■
JS513100D4C.0Z3-NXT	4	D	10	10	50	100	0,1	3	■
JS513120D4C.0Z3-NXT	4	D	12	12	60	125	0,12	3	■
JS513160D4C.0Z3-NXT	4	D	16	16	70	130	0,16	3	■
JS513140D4C.0Z3-NXT	4	D	14	14	65	140	0,14	3	■
JS513200D4C.0Z3-NXT	4	D	20	20	80	150	0,2	3	■
JS513250D4C.0Z3-NXT	4	D	25	25	90	165	0,25	3	■

■ Stock standard. Subject to change refer to current price-and stock-list.

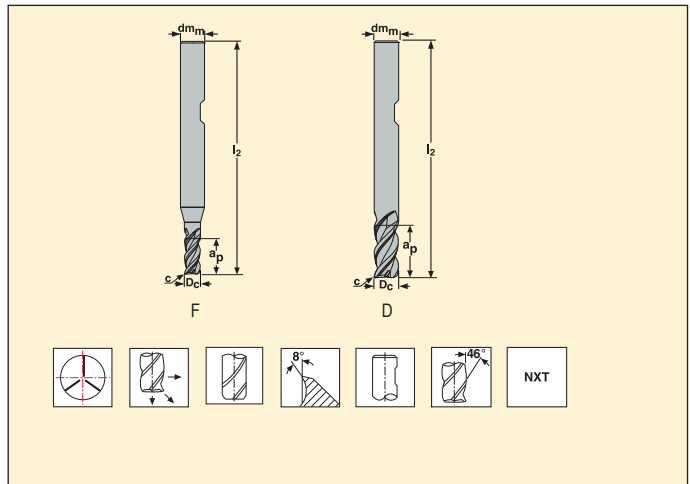
JS513 – Solid carbide end mill – Weldon – three flute – 45° chamfer



Tolerances:

$dm_m = h5$

$D_c = e8$



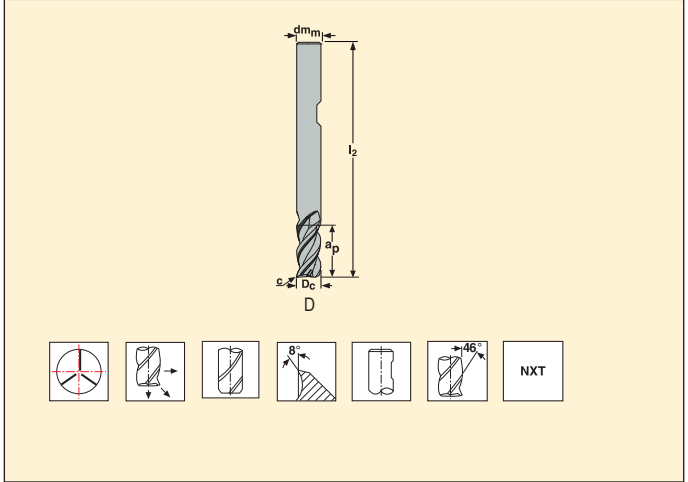
Part No.	Length index	Tool shape	Dimensions in mm				c x 45°	z _n	Weldon
			D _c	dm _m	a _p	l ₂			
JS513020F2C.3Z3-NXT	2	F	2	6	4	57	0,02	3	<input type="checkbox"/>
JS513025F2C.3Z3-NXT	2	F	2,5	6	5	57	0,025	3	<input type="checkbox"/>
JS513030F2C.3Z3-NXT	2	F	3	6	6	57	0,03	3	<input type="checkbox"/>
JS513040F2C.3Z3-NXT	2	F	4	6	8	57	0,04	3	<input type="checkbox"/>
JS513050F2C.3Z3-NXT	2	F	5	6	10	57	0,05	3	<input type="checkbox"/>
JS513060D2C.3Z3-NXT	2	D	6	6	12	57	0,06	3	<input type="checkbox"/>
JS513080D2C.3Z3-NXT	2	D	8	8	16	63	0,08	3	<input type="checkbox"/>
JS513100D2C.3Z3-NXT	2	D	10	10	20	72	0,1	3	<input type="checkbox"/>
JS513120D2C.3Z3-NXT	2	D	12	12	24	83	0,12	3	<input type="checkbox"/>
JS513140D2C.3Z3-NXT	2	D	14	14	28	83	0,14	3	<input type="checkbox"/>
JS513160D2C.3Z3-NXT	2	D	16	16	30	92	0,16	3	<input type="checkbox"/>
JS513180D2C.3Z3-NXT	2	D	18	18	35	100	0,18	3	<input type="checkbox"/>
JS513200D2C.3Z3-NXT	2	D	20	20	35	104	0,2	3	<input type="checkbox"/>
JS513250D2C.3Z3-NXT	2	D	25	25	40	125	0,25	3	<input type="checkbox"/>
JS513020F3C.3Z3-NXT	3	F	2	6	7	57	0,02	3	<input type="checkbox"/>
JS513025F3C.3Z3-NXT	3	F	2,5	6	9	57	0,025	3	<input type="checkbox"/>
JS513030F3C.3Z3-NXT	3	F	3	6	10	57	0,03	3	<input type="checkbox"/>
JS513040F3C.3Z3-NXT	3	F	4	6	14	57	0,04	3	<input type="checkbox"/>
JS513050F3C.3Z3-NXT	3	F	5	6	18	57	0,05	3	<input type="checkbox"/>
JS513060D3C.3Z3-NXT	3	D	6	6	20	63	0,06	3	<input type="checkbox"/>
JS513080D3C.3Z3-NXT	3	D	8	8	28	80	0,08	3	<input type="checkbox"/>
JS513100D3C.3Z3-NXT	3	D	10	10	35	89	0,1	3	<input type="checkbox"/>
JS513120D3C.3Z3-NXT	3	D	12	12	42	100	0,12	3	<input type="checkbox"/>
JS513140D3C.3Z3-NXT	3	D	14	14	50	120	0,14	3	<input type="checkbox"/>
JS513160D3C.3Z3-NXT	3	D	16	16	50	115	0,16	3	<input type="checkbox"/>
JS513200D3C.3Z3-NXT	3	D	20	20	60	125	0,2	3	<input type="checkbox"/>
JS513250D3C.3Z3-NXT	3	D	25	25	70	150	0,25	3	<input type="checkbox"/>
JS513020F4C.3Z3-NXT	4	F	2	6	10	57	0,02	3	<input type="checkbox"/>
JS513025F4C.3Z3-NXT	4	F	2,5	6	13	57	0,025	3	<input type="checkbox"/>
JS513030F4C.3Z3-NXT	4	F	3	6	15	57	0,03	3	<input type="checkbox"/>
JS513040F4C.3Z3-NXT	4	F	4	6	20	63	0,04	3	<input type="checkbox"/>
JS513050F4C.3Z3-NXT	4	F	5	6	25	63	0,05	3	<input type="checkbox"/>
JS513060D4C.3Z3-NXT	4	D	6	6	30	80	0,06	3	<input type="checkbox"/>
JS513080D4C.3Z3-NXT	4	D	8	8	40	100	0,08	3	<input type="checkbox"/>
JS513100D4C.3Z3-NXT	4	D	10	10	50	100	0,1	3	<input type="checkbox"/>
JS513120D4C.3Z3-NXT	4	D	12	12	60	125	0,12	3	<input type="checkbox"/>
JS513140D4C.3Z3-NXT	4	D	14	14	65	140	0,14	3	<input type="checkbox"/>

Weldon available, delivery time is 3 days.

JS513 – Solid carbide end mill – Weldon – three flute – 45° chamfer




Tolerances:
 $dm_m = h5$
 $D_c = e8$



Part No.	Length index	Tool shape	Dimensions in mm				c x 45°	z _n	Weldon
			D _c	dm _m	a _p	l ₂			
JS513160D4C.3Z3-NXT	4	D	16	16	70	130	0,16	3	<input type="checkbox"/>
JS513200D4C.3Z3-NXT	4	D	20	20	80	150	0,2	3	<input type="checkbox"/>
JS513250D4C.3Z3-NXT	4	D	25	25	90	165	0,25	3	<input type="checkbox"/>

Weldon available, delivery time is 3 days.

Cutting data – JS513 Slotting

SMG		a_p / D_c	f_z													v_c	
			1	2	3	4	5	6	8	10	12	14	16	18	20		25
P1	E	0,70	0,0044	0,0085	0,013	0,017	0,022	0,026	0,034	0,044	0,050	0,060	0,065	0,070	0,075	0,085	165 (140 – 195)
P2	E	0,70	0,0044	0,0090	0,013	0,018	0,022	0,026	0,036	0,044	0,050	0,060	0,065	0,070	0,075	0,085	160 (135 – 190)
P3	E	0,70	0,0042	0,0085	0,012	0,017	0,020	0,024	0,034	0,042	0,050	0,055	0,060	0,065	0,070	0,080	140 (115 – 165)
P4	E	0,70	0,0040	0,0080	0,012	0,016	0,020	0,024	0,032	0,040	0,048	0,055	0,060	0,065	0,070	0,080	125 (105 – 145)
P5	E	0,70	0,0040	0,0080	0,012	0,016	0,020	0,024	0,032	0,040	0,048	0,055	0,060	0,065	0,070	0,075	120 (100 – 140)
P6	E	0,70	0,0040	0,0080	0,012	0,016	0,020	0,024	0,032	0,040	0,046	0,055	0,060	0,065	0,065	0,075	135 (110 – 155)
P7	E	0,70	0,0040	0,0080	0,012	0,016	0,020	0,024	0,032	0,040	0,046	0,055	0,060	0,065	0,065	0,075	125 (105 – 145)
P8	E	0,70	0,0042	0,0085	0,012	0,017	0,020	0,024	0,034	0,042	0,050	0,055	0,060	0,065	0,070	0,080	120 (100 – 140)
P11	E	0,70	0,0040	0,0080	0,012	0,016	0,020	0,024	0,032	0,040	0,046	0,055	0,060	0,065	0,065	0,075	125 (100 – 145)
M1	E	0,60	0,0034	0,0065	0,010	0,013	0,017	0,020	0,026	0,034	0,040	0,044	0,048	0,050	0,055	0,065	95 (85 – 110)
M2	E	0,60	0,0030	0,0060	0,0090	0,012	0,015	0,018	0,024	0,030	0,036	0,040	0,044	0,048	0,050	0,055	80 (70 – 90)
M3	E	0,48	0,0024	0,0048	0,0070	0,0095	0,012	0,014	0,019	0,024	0,028	0,032	0,036	0,038	0,040	0,046	65 (55 – 70)
M4	E	0,36	0,0022	0,0042	0,0065	0,0085	0,011	0,013	0,017	0,022	0,024	0,028	0,030	0,034	0,036	0,040	48 (42 – 55)
M5	E	0,36	0,0022	0,0042	0,0065	0,0085	0,011	0,013	0,017	0,022	0,024	0,028	0,030	0,034	0,036	0,040	40 (35 – 45)
K1	E	0,70	0,0044	0,0090	0,013	0,018	0,022	0,026	0,036	0,044	0,050	0,060	0,065	0,070	0,075	0,085	140 (120 – 160)
K2	E	0,70	0,0040	0,0080	0,012	0,016	0,020	0,024	0,032	0,040	0,048	0,055	0,060	0,065	0,070	0,075	125 (105 – 140)
K3	E	0,70	0,0040	0,0080	0,012	0,016	0,020	0,024	0,032	0,040	0,048	0,055	0,060	0,065	0,070	0,075	105 (90 – 120)
K4	E	0,70	0,0040	0,0080	0,012	0,016	0,020	0,024	0,032	0,040	0,048	0,055	0,060	0,065	0,070	0,075	100 (85 – 110)
K5	E	0,70	0,0036	0,0070	0,011	0,014	0,018	0,022	0,028	0,036	0,042	0,048	0,055	0,055	0,060	0,070	60 (50 – 70)
K6	E	0,70	0,0040	0,0080	0,012	0,016	0,020	0,024	0,032	0,040	0,048	0,055	0,060	0,065	0,070	0,075	85 (75 – 100)
K7	E	0,70	0,0036	0,0070	0,011	0,014	0,018	0,022	0,028	0,036	0,042	0,048	0,055	0,055	0,060	0,070	75 (65 – 85)
N11	E	0,70	0,0060	0,012	0,018	0,024	0,030	0,036	0,048	0,060	0,070	0,080	0,090	0,095	0,10	0,11	300 (200 – 395)
S1	E	0,30	0,0032	0,0065	0,0095	0,013	0,016	0,019	0,026	0,032	0,038	0,044	0,048	0,050	0,055	0,060	40 (30 – 49)
S2	E	0,30	0,0032	0,0065	0,0095	0,013	0,016	0,019	0,026	0,032	0,038	0,044	0,048	0,050	0,055	0,060	40 (30 – 49)
S3	E	0,30	0,0030	0,0060	0,0090	0,012	0,015	0,018	0,024	0,030	0,036	0,040	0,044	0,048	0,050	0,055	24 (14 – 33)
S11	E	0,40	0,0030	0,0060	0,0090	0,012	0,015	0,018	0,024	0,030	0,036	0,040	0,044	0,048	0,050	0,055	80 (65 – 90)
S12	E	0,40	0,0030	0,0060	0,0090	0,012	0,015	0,018	0,024	0,030	0,036	0,040	0,044	0,048	0,050	0,055	60 (50 – 70)
S13	E	0,34	0,0026	0,0055	0,0080	0,011	0,013	0,016	0,022	0,026	0,032	0,036	0,038	0,042	0,044	0,050	47 (40 – 55)
H5	M/A/D	0,22	0,0030	0,0060	0,0090	0,012	0,015	0,018	0,024	0,030	0,036	0,040	0,044	0,048	0,050	0,060	47 (38 – 55)
H8	M/A/D	0,20	0,0024	0,0046	0,0070	0,0090	0,012	0,014	0,018	0,024	0,028	0,030	0,034	0,036	0,040	0,044	49 (39 – 60)
H11	M/A/D	0,22	0,0030	0,0060	0,0090	0,012	0,015	0,018	0,024	0,030	0,036	0,040	0,044	0,048	0,050	0,060	60 (49 – 75)
H12	M/A/D	0,22	0,0030	0,0060	0,0090	0,012	0,015	0,018	0,024	0,030	0,036	0,040	0,044	0,048	0,050	0,060	100 (80 – 120)
H21	M/A/D	0,20	0,0024	0,0046	0,0070	0,0090	0,012	0,014	0,018	0,024	0,028	0,030	0,034	0,036	0,040	0,044	49 (39 – 60)
TP1	A	0,80	0,0060	0,012	0,018	0,024	0,030	0,036	0,048	0,060	0,070	0,080	0,090	0,095	0,10	0,11	495 (395 – 600)
GR1	A	0,80	0,0080	0,016	0,024	0,032	0,040	0,048	0,065	0,080	0,095	0,11	0,12	0,13	0,14	0,15	495 (395 – 600)

SMG = Seco material group

Coolant = A=air D=dry E=emulsion M=mist spray

v_c = m/min

f_z = mm

a_p (mm)/ D_c (mm)= factor

All cutting data are target values

Cutting data – JS513 Side milling $a_e/D_c = 0,4$

SMG		a_p / D_c	f_z													v_c	
			1	2	3	4	5	6	8	10	12	14	16	18	20		25
P1	M/A/D/E	1,0	0,0044	0,0090	0,013	0,018	0,022	0,026	0,036	0,044	0,050	0,060	0,065	0,070	0,075	0,085	205 (175 – 240)
P2	M/A/D/E	1,0	0,0044	0,0090	0,013	0,018	0,022	0,026	0,036	0,044	0,055	0,060	0,065	0,070	0,075	0,085	200 (170 – 235)
P3	M/A/D/E	1,0	0,0042	0,0085	0,013	0,017	0,022	0,026	0,034	0,042	0,050	0,055	0,060	0,065	0,070	0,080	175 (145 – 205)
P4	M/A/D/E	1,0	0,0042	0,0085	0,012	0,017	0,020	0,024	0,034	0,042	0,050	0,055	0,060	0,065	0,070	0,080	155 (130 – 180)
P5	M/A/D/E	1,0	0,0040	0,0080	0,012	0,016	0,020	0,024	0,032	0,040	0,048	0,055	0,060	0,065	0,070	0,080	150 (125 – 175)
P6	M/A/D/E	1,0	0,0040	0,0080	0,012	0,016	0,020	0,024	0,032	0,040	0,048	0,055	0,060	0,065	0,070	0,075	165 (140 – 195)
P7	M/A/D/E	1,0	0,0040	0,0080	0,012	0,016	0,020	0,024	0,032	0,040	0,048	0,055	0,060	0,065	0,070	0,075	155 (130 – 185)
P8	M/A/D/E	1,0	0,0042	0,0085	0,013	0,017	0,022	0,026	0,034	0,042	0,050	0,055	0,060	0,065	0,070	0,080	145 (125 – 170)
P11	M/A/D/E	1,0	0,0040	0,0080	0,012	0,016	0,020	0,024	0,032	0,040	0,048	0,055	0,060	0,065	0,070	0,075	155 (125 – 180)
M1	E/M/A	1,0	0,0034	0,0065	0,010	0,013	0,017	0,020	0,026	0,034	0,040	0,046	0,050	0,055	0,055	0,065	120 (105 – 135)
M2	E/M/A	1,0	0,0030	0,0060	0,0090	0,012	0,015	0,018	0,024	0,030	0,036	0,040	0,046	0,048	0,050	0,060	100 (85 – 110)
M3	E/M/A	0,80	0,0024	0,0048	0,0075	0,010	0,012	0,015	0,020	0,024	0,028	0,032	0,036	0,038	0,042	0,046	80 (70 – 90)
M4	E/M/A	0,60	0,0022	0,0042	0,0065	0,0085	0,011	0,013	0,017	0,022	0,026	0,028	0,032	0,034	0,036	0,042	60 (50 – 65)
M5	E/M/A	0,60	0,0022	0,0042	0,0065	0,0085	0,011	0,013	0,017	0,022	0,026	0,028	0,032	0,034	0,036	0,042	49 (43 – 55)
K1	A/D/M/E	1,0	0,0044	0,0090	0,013	0,018	0,022	0,026	0,036	0,044	0,055	0,060	0,065	0,070	0,075	0,085	175 (150 – 195)
K2	A/D/M/E	1,0	0,0040	0,0080	0,012	0,016	0,020	0,024	0,032	0,040	0,048	0,055	0,060	0,065	0,070	0,080	155 (135 – 175)
K3	A/D/M/E	1,0	0,0040	0,0080	0,012	0,016	0,020	0,024	0,032	0,040	0,048	0,055	0,060	0,065	0,070	0,080	130 (110 – 145)
K4	A/D/M/E	1,0	0,0040	0,0080	0,012	0,016	0,020	0,024	0,032	0,040	0,048	0,055	0,060	0,065	0,070	0,080	125 (105 – 140)
K5	A/D/M/E	1,0	0,0036	0,0075	0,011	0,015	0,018	0,022	0,030	0,036	0,044	0,050	0,055	0,060	0,060	0,070	75 (65 – 85)
K6	A/D/M/E	1,0	0,0040	0,0080	0,012	0,016	0,020	0,024	0,032	0,040	0,048	0,055	0,060	0,065	0,070	0,080	110 (95 – 125)
K7	A/D/M/E	1,0	0,0036	0,0075	0,011	0,015	0,018	0,022	0,030	0,036	0,044	0,050	0,055	0,060	0,060	0,070	95 (85 – 110)
N11	E/M/A	1,0	0,0060	0,012	0,018	0,024	0,030	0,036	0,048	0,060	0,070	0,080	0,090	0,095	0,10	0,12	370 (250 – 495)
S11	E	1,0	0,0030	0,0060	0,0090	0,012	0,015	0,018	0,024	0,030	0,036	0,040	0,046	0,048	0,050	0,060	95 (80 – 110)
S12	E	1,0	0,0030	0,0060	0,0090	0,012	0,015	0,018	0,024	0,030	0,036	0,040	0,046	0,048	0,050	0,060	75 (60 – 85)
S13	E	0,85	0,0026	0,0055	0,0080	0,011	0,013	0,016	0,022	0,026	0,032	0,036	0,040	0,042	0,046	0,050	60 (49 – 70)
TS1	A/D	1,4	0,0080	0,016	0,024	0,032	0,040	0,050	0,065	0,080	0,095	0,11	0,12	0,13	0,14	0,16	620 (495 – 750)
TP1	A/D	1,0	0,0060	0,012	0,018	0,024	0,030	0,036	0,050	0,060	0,070	0,080	0,090	0,095	0,10	0,12	620 (495 – 750)
GR1	A/D	1,4	0,0080	0,016	0,024	0,032	0,040	0,050	0,065	0,080	0,095	0,11	0,12	0,13	0,14	0,16	620 (495 – 750)

Cutting data – JS513 Side milling $a_e/D_c = 0,2$

SMG		a_p / D_c	f_z													v_c	
			1	2	3	4	5	6	8	10	12	14	16	18	20		25
N1	E/M/A	1,2	0,0065	0,013	0,019	0,026	0,032	0,038	0,050	0,065	0,075	0,085	0,090	0,10	0,11	0,12	800 (640 – 960)
N2	E/M/A	1,2	0,0065	0,013	0,019	0,026	0,032	0,038	0,050	0,065	0,075	0,085	0,090	0,10	0,11	0,12	520 (410 – 620)
N3	E/M/A	1,2	0,0065	0,013	0,019	0,026	0,032	0,038	0,050	0,065	0,075	0,085	0,090	0,10	0,11	0,12	345 (275 – 410)
S1	E	1,0	0,0040	0,0080	0,012	0,016	0,020	0,024	0,032	0,040	0,048	0,055	0,060	0,065	0,070	0,075	55 (41 – 70)
S2	E	1,0	0,0040	0,0080	0,012	0,016	0,020	0,024	0,032	0,040	0,048	0,055	0,060	0,065	0,070	0,075	55 (41 – 70)
S3	E	1,0	0,0038	0,0075	0,011	0,015	0,019	0,022	0,030	0,038	0,044	0,050	0,055	0,060	0,065	0,070	32 (19 – 45)
H5	M/A/D	0,22	0,0038	0,0075	0,011	0,015	0,019	0,022	0,030	0,038	0,044	0,050	0,055	0,060	0,065	0,070	65 (55 – 80)
H8	M/A/D	0,20	0,0028	0,0060	0,0085	0,012	0,014	0,017	0,024	0,028	0,034	0,038	0,042	0,046	0,048	0,055	70 (55 – 80)
H21	M/A/D	0,20	0,0028	0,0060	0,0085	0,012	0,014	0,017	0,024	0,028	0,034	0,038	0,042	0,046	0,048	0,055	70 (55 – 80)
H31	M/A/D	0,20	0,0026	0,0050	0,0075	0,010	0,013	0,015	0,020	0,026	0,030	0,034	0,036	0,040	0,042	0,048	50 (42 – 65)

SMG = Seco material group

Coolant = A=air D=dry E=emulsion M=mist spray

v_c = m/min

f_z = mm

a_p (mm)/ D_c (mm)= factor

a_e (mm)/ D_c (mm)= factor

All cutting data are target values

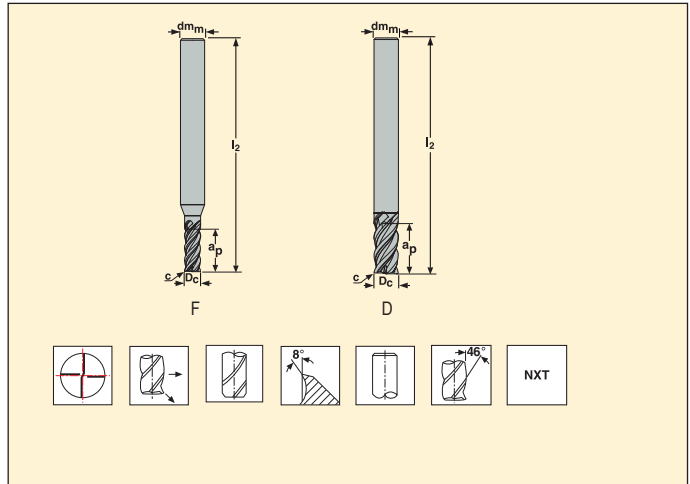
JS514 – Solid carbide end mill – cylindrical – four flute – 45° chamfer



Tolerances:

$dm_m = h5$

$D_c = e8$



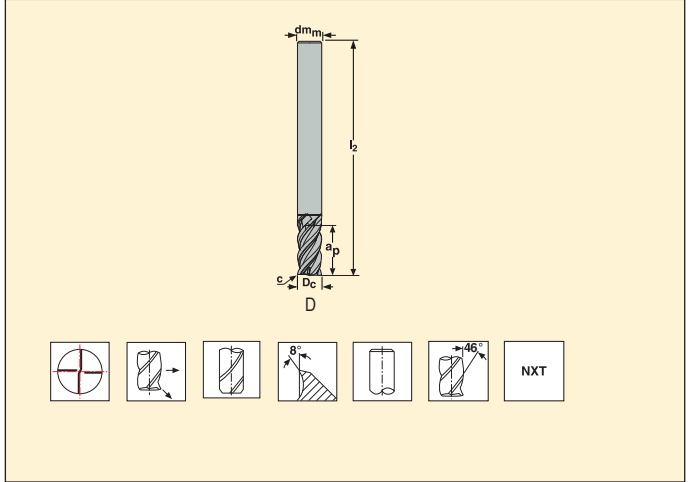
Part No.	Length index	Tool shape	Dimensions in mm					z_n	Cylindrical
			D_c	dm_m	a_p	l_2	$c \times 45^\circ$		
JS514010F2C.0Z4-NXT	2	F	1	3	2	38	0,01	4	■
JS514015F2C.0Z4-NXT	2	F	1,5	3	3	38	0,015	4	■
JS514020F2C.0Z4-NXT	2	F	2	6	5	57	0,02	4	■
JS514021F2C.0Z4-NXT	2	F	2	3	5	38	0,02	4	■
JS514030F2C.0Z4-NXT	2	F	3	6	7	57	0,03	4	■
JS514030D2C.0Z4-NXT	2	D	3	3	7	38	0,03	4	■
JS514040F2C.0Z4-NXT	2	F	4	6	10	57	0,04	4	■
JS514040D2C.0Z4-NXT	2	D	4	4	10	50	0,04	4	■
JS514050F2C.0Z4-NXT	2	F	5	6	12	57	0,05	4	■
JS514050D2C.0Z4-NXT	2	D	5	5	12	50	0,05	4	■
JS514060D2C.0Z4-NXT	2	D	6	6	13	57	0,06	4	■
JS514080D2C.0Z4-NXT	2	D	8	8	18	63	0,08	4	■
JS514100D2C.0Z4-NXT	2	D	10	10	22	72	0,1	4	■
JS514120D2C.0Z4-NXT	2	D	12	12	26	83	0,12	4	■
JS514160D2C.0Z4-NXT	2	D	16	16	32	92	0,16	4	■
JS514200D2C.0Z4-NXT	2	D	20	20	40	104	0,2	4	■
JS514250D2C.0Z4-NXT	2	D	25	25	50	125	0,25	4	■
JS514010F3C.0Z4-NXT	3	F	1	3	3	38	0,01	4	■
JS514015F3C.0Z4-NXT	3	F	1,5	3	6	38	0,015	4	■
JS514020F3C.0Z4-NXT	3	F	2	6	8	57	0,02	4	■
JS514030F3C.0Z4-NXT	3	F	3	6	12	57	0,03	4	■
JS514040F3C.0Z4-NXT	3	F	4	6	16	57	0,04	4	■
JS514050F3C.0Z4-NXT	3	F	5	6	21	63	0,05	4	■
JS514060D3C.0Z4-NXT	3	D	6	6	23	63	0,06	4	■
JS514080D3C.0Z4-NXT	3	D	8	8	32	80	0,08	4	■
JS514100D3C.0Z4-NXT	3	D	10	10	40	89	0,1	4	■
JS514120D3C.0Z4-NXT	3	D	12	12	45	100	0,12	4	■
JS514160D3C.0Z4-NXT	3	D	16	16	55	115	0,16	4	■
JS514200D3C.0Z4-NXT	3	D	20	20	65	125	0,2	4	■
JS514250D3C.0Z4-NXT	3	D	25	25	80	150	0,25	4	■
JS514020F4C.0Z4-NXT	4	F	2	6	10	57	0,02	4	■
JS514030F4C.0Z4-NXT	4	F	3	6	17	57	0,03	4	■
JS514040F4C.0Z4-NXT	4	F	4	6	25	63	0,04	4	■
JS514050F4C.0Z4-NXT	4	F	5	6	28	75	0,05	4	■
JS514060D4C.0Z4-NXT	4	D	6	6	35	75	0,06	4	■
JS514080D4C.0Z4-NXT	4	D	8	8	45	100	0,08	4	■
JS514100D4C.0Z4-NXT	4	D	10	10	55	100	0,1	4	■

■ Stock standard. Subject to change refer to current price-and stock-list.

JS514 – Solid carbide end mill – cylindrical – four flute – 45° chamfer



Tolerances:
 $dm_m = h5$
 $D_c = e8$



Part No.	Length index	Tool shape	Dimensions in mm					z_n	Cylindrical
			D_c	dm_m	a_p	l_2	$c \times 45^\circ$		
JS514120D4C.0Z4-NXT	4	D	12	12	65	125	0,12	4	■
JS514160D4C.0Z4-NXT	4	D	16	16	80	150	0,16	4	■
JS514200D4C.0Z4-NXT	4	D	20	20	90	150	0,2	4	■
JS514250D4C.0Z4-NXT	4	D	25	25	110	196	0,25	4	■

■ Stock standard. Subject to change refer to current price-and stock-list.

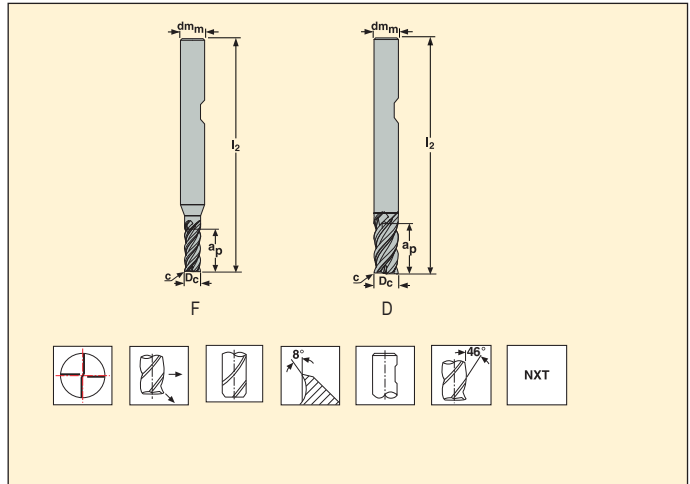
JS514 – Solid carbide end mill – Weldon – 45° chamfer



Tolerances:

$dm_m = h5$

$D_c = e8$



Part No.	Length index	Tool shape	Dimensions in mm					z_n	Weldon
			D_c	dm_m	a_p	l_2	$c \times 45^\circ$		
JS514020F2C.3Z4-NXT	2	F	2	6	5	57	0.02	4	<input type="checkbox"/>
JS514030F2C.3Z4-NXT	2	F	3	6	7	57	0.03	4	<input type="checkbox"/>
JS514040F2C.3Z4-NXT	2	F	4	6	10	57	0.04	4	<input type="checkbox"/>
JS514050F2C.3Z4-NXT	2	F	5	6	12	57	0.05	4	<input type="checkbox"/>
JS514060D2C.3Z4-NXT	2	D	6	6	13	57	0.06	4	<input type="checkbox"/>
JS514080D2C.3Z4-NXT	2	D	8	8	18	63	0.08	4	<input type="checkbox"/>
JS514100D2C.3Z4-NXT	2	D	10	10	22	72	0.1	4	<input type="checkbox"/>
JS514120D2C.3Z4-NXT	2	D	12	12	26	83	0.12	4	<input type="checkbox"/>
JS514160D2C.3Z4-NXT	2	D	16	16	32	92	0.16	4	<input type="checkbox"/>
JS514200D2C.3Z4-NXT	2	D	20	20	40	104	0.2	4	<input type="checkbox"/>
JS514250D2C.3Z4-NXT	2	D	25	25	50	125	0.25	4	<input type="checkbox"/>
JS514020F3C.3Z4-NXT	3	F	2	6	8	57	0.02	4	<input type="checkbox"/>
JS514030F3C.3Z4-NXT	3	F	3	6	12	57	0.03	4	<input type="checkbox"/>
JS514040F3C.3Z4-NXT	3	F	4	6	16	57	0.04	4	<input type="checkbox"/>
JS514050F3C.3Z4-NXT	3	F	5	6	21	63	0.05	4	<input type="checkbox"/>
JS514060D3C.3Z4-NXT	3	D	6	6	23	63	0.06	4	<input type="checkbox"/>
JS514080D3C.3Z4-NXT	3	D	8	8	32	80	0.08	4	<input type="checkbox"/>
JS514100D3C.3Z4-NXT	3	D	10	10	40	89	0.1	4	<input type="checkbox"/>
JS514120D3C.3Z4-NXT	3	D	12	12	45	100	0.12	4	<input type="checkbox"/>
JS514160D3C.3Z4-NXT	3	D	16	16	55	115	0.16	4	<input type="checkbox"/>
JS514200D3C.3Z4-NXT	3	D	20	20	65	125	0.2	4	<input type="checkbox"/>
JS514250D3C.3Z4-NXT	3	D	25	25	80	150	0.25	4	<input type="checkbox"/>
JS514020F4C.3Z4-NXT	4	F	2	6	10	57	0.02	4	<input type="checkbox"/>
JS514030F4C.3Z4-NXT	4	F	3	6	17	57	0.03	4	<input type="checkbox"/>
JS514040F4C.3Z4-NXT	4	F	4	6	25	63	0.04	4	<input type="checkbox"/>
JS514050F4C.3Z4-NXT	4	F	5	6	28	75	0.05	4	<input type="checkbox"/>
JS514060D4C.3Z4-NXT	4	D	6	6	35	75	0.06	4	<input type="checkbox"/>
JS514080D4C.3Z4-NXT	4	D	8	8	45	100	0.08	4	<input type="checkbox"/>
JS514100F4C.3Z4-NXT	4	D	10	10	55	100	0.1	4	<input type="checkbox"/>
JS514120F4C.3Z4-NXT	4	D	12	12	65	125	0.12	4	<input type="checkbox"/>
JS514160F4C.3Z4-NXT	4	D	16	16	80	150	0.16	4	<input type="checkbox"/>
JS514200F4C.3Z4-NXT	4	D	20	20	90	150	0.2	4	<input type="checkbox"/>
JS514250F4C.3Z4-NXT	4	D	25	25	110	196	0.25	4	<input type="checkbox"/>

Weldon available, delivery time is 3 days.

Cutting data – JS514 Slotting

SMG		a _p / D _c	f _z															v _c
			1	2	3	4	5	6	8	10	12	14	16	18	20	25		
P1	M/A/D/E	0,55	0,0055	0,011	0,016	0,022	0,026	0,032	0,044	0,055	0,065	0,070	0,080	0,085	0,090	0,10	165 (140 – 195)	
P2	M/A/D/E	0,55	0,0055	0,011	0,016	0,022	0,028	0,032	0,044	0,055	0,065	0,075	0,080	0,085	0,095	0,11	160 (135 – 190)	
P3	M/A/D/E	0,55	0,0050	0,010	0,016	0,020	0,026	0,032	0,042	0,050	0,060	0,070	0,075	0,085	0,090	0,10	140 (120 – 165)	
P4	M/A/D/E	0,55	0,0050	0,010	0,015	0,020	0,026	0,030	0,040	0,050	0,060	0,070	0,075	0,080	0,085	0,10	125 (105 – 145)	
P5	M/A/D/E	0,55	0,0050	0,010	0,015	0,020	0,024	0,030	0,040	0,050	0,060	0,065	0,075	0,080	0,085	0,095	120 (100 – 140)	
P6	M/A/D/E	0,55	0,0050	0,010	0,015	0,020	0,024	0,030	0,040	0,050	0,060	0,065	0,075	0,080	0,085	0,095	135 (110 – 155)	
P7	M/A/D/E	0,55	0,0050	0,010	0,015	0,020	0,024	0,030	0,040	0,050	0,060	0,065	0,075	0,080	0,085	0,095	125 (105 – 145)	
P8	M/A/D/E	0,55	0,0050	0,010	0,016	0,020	0,026	0,032	0,042	0,050	0,060	0,070	0,075	0,085	0,090	0,10	120 (100 – 140)	
P11	M/A/D/E	0,55	0,0050	0,010	0,015	0,020	0,024	0,030	0,040	0,050	0,060	0,065	0,075	0,080	0,085	0,095	125 (100 – 145)	
M1	E	0,55	0,0022	0,0044	0,0065	0,0090	0,011	0,013	0,018	0,022	0,026	0,030	0,032	0,034	0,038	0,042	95 (85 – 110)	
M2	E	0,55	0,0020	0,0040	0,0060	0,0080	0,010	0,012	0,016	0,020	0,024	0,026	0,030	0,032	0,034	0,038	80 (70 – 90)	
M3	E	0,44	0,0016	0,0032	0,0048	0,0065	0,0080	0,0095	0,013	0,016	0,019	0,022	0,024	0,026	0,028	0,030	60 (55 – 70)	
M4	E	0,34	0,0014	0,0028	0,0042	0,0055	0,0070	0,0085	0,011	0,014	0,017	0,019	0,020	0,022	0,024	0,026	48 (42 – 55)	
M5	E	0,34	0,0014	0,0028	0,0042	0,0055	0,0070	0,0085	0,011	0,014	0,017	0,019	0,020	0,022	0,024	0,026	40 (35 – 45)	
K1	E	0,55	0,0055	0,011	0,016	0,022	0,028	0,032	0,044	0,055	0,065	0,075	0,080	0,085	0,095	0,11	135 (115 – 150)	
K2	E	0,55	0,0050	0,010	0,015	0,020	0,024	0,030	0,040	0,050	0,060	0,065	0,075	0,080	0,085	0,095	120 (100 – 135)	
K3	E	0,55	0,0050	0,010	0,015	0,020	0,024	0,030	0,040	0,050	0,060	0,065	0,075	0,080	0,085	0,095	100 (85 – 115)	
K4	E	0,55	0,0050	0,010	0,015	0,020	0,024	0,030	0,040	0,050	0,060	0,065	0,075	0,080	0,085	0,095	95 (80 – 110)	
K5	E	0,55	0,0044	0,0090	0,013	0,018	0,022	0,026	0,036	0,044	0,055	0,060	0,065	0,070	0,075	0,085	60 (50 – 65)	
K6	E	0,55	0,0050	0,010	0,015	0,020	0,024	0,030	0,040	0,050	0,060	0,065	0,075	0,080	0,085	0,095	85 (75 – 95)	
K7	E	0,55	0,0044	0,0090	0,013	0,018	0,022	0,026	0,036	0,044	0,055	0,060	0,065	0,070	0,075	0,085	75 (65 – 85)	
N11	E	0,55	0,0070	0,014	0,020	0,028	0,034	0,042	0,055	0,070	0,085	0,095	0,10	0,11	0,12	0,13	275 (185 – 370)	
S1	E	0,34	0,0036	0,0070	0,011	0,014	0,018	0,022	0,028	0,036	0,042	0,046	0,050	0,055	0,060	0,065	39 (29 – 48)	
S2	E	0,34	0,0036	0,0070	0,011	0,014	0,018	0,022	0,028	0,036	0,042	0,046	0,050	0,055	0,060	0,065	39 (29 – 48)	
S3	E	0,34	0,0032	0,0065	0,010	0,013	0,016	0,020	0,026	0,032	0,038	0,044	0,048	0,050	0,055	0,060	23 (14 – 32)	
S11	E	0,38	0,0040	0,0080	0,012	0,016	0,020	0,024	0,032	0,040	0,048	0,055	0,060	0,065	0,070	0,075	80 (70 – 95)	
S12	E	0,38	0,0040	0,0080	0,012	0,016	0,020	0,024	0,032	0,040	0,048	0,055	0,060	0,065	0,070	0,075	60 (50 – 75)	
S13	E	0,34	0,0036	0,0070	0,011	0,014	0,018	0,022	0,028	0,036	0,042	0,046	0,050	0,055	0,060	0,065	49 (41 – 60)	
H5	M/A/D	0,26	0,0030	0,0060	0,0090	0,012	0,015	0,018	0,024	0,030	0,036	0,040	0,044	0,048	0,050	0,060	47 (38 – 55)	
H8	M/A/D	0,22	0,0024	0,0046	0,0070	0,0090	0,012	0,014	0,018	0,024	0,028	0,030	0,034	0,036	0,040	0,044	49 (39 – 60)	
H11	M/A/D	0,26	0,0030	0,0060	0,0090	0,012	0,015	0,018	0,024	0,030	0,036	0,040	0,044	0,048	0,050	0,060	60 (48 – 75)	
H12	M/A/D	0,26	0,0030	0,0060	0,0090	0,012	0,015	0,018	0,024	0,030	0,036	0,040	0,044	0,048	0,050	0,060	100 (80 – 115)	
H21	M/A/D	0,22	0,0024	0,0046	0,0070	0,0090	0,012	0,014	0,018	0,024	0,028	0,030	0,034	0,036	0,040	0,044	49 (39 – 60)	
H31	M/A/D	0,22	0,0020	0,0040	0,0060	0,0080	0,010	0,012	0,016	0,020	0,024	0,026	0,030	0,032	0,034	0,038	38 (30 – 45)	
GR1	A	0,55	0,0050	0,010	0,015	0,020	0,024	0,030	0,040	0,050	0,060	0,065	0,075	0,080	0,085	0,095	550 (445 – 670)	

SMG = Seco material group

Coolant = A=air D=dry E=emulsion M=mist spray

v_c = m/min

f_z = mm

a_p (mm)/D_c (mm) = factor

All cutting data are target values

Cutting data – JS514 Side milling $a_p/D_c = 0,3$

SMG		a_p / D_c	f_z													v_c	
			1	2	3	4	5	6	8	10	12	14	16	18	20		25
P1	M/A/D/E	1,1	0,0060	0,012	0,018	0,024	0,030	0,036	0,048	0,060	0,070	0,080	0,085	0,095	0,10	0,11	215 (180 – 255)
P2	M/A/D/E	1,1	0,0060	0,012	0,018	0,024	0,030	0,036	0,048	0,060	0,070	0,080	0,090	0,095	0,10	0,12	210 (175 – 245)
P3	M/A/D/E	1,1	0,0055	0,011	0,017	0,022	0,028	0,034	0,046	0,055	0,065	0,075	0,085	0,090	0,095	0,11	185 (155 – 215)
P4	M/A/D/E	1,1	0,0055	0,011	0,017	0,022	0,028	0,034	0,044	0,055	0,065	0,075	0,080	0,090	0,095	0,11	165 (135 – 190)
P5	M/A/D/E	1,1	0,0055	0,011	0,016	0,022	0,028	0,032	0,044	0,055	0,065	0,075	0,080	0,085	0,090	0,10	155 (130 – 180)
P6	M/A/D/E	1,1	0,0055	0,011	0,016	0,022	0,028	0,032	0,044	0,055	0,065	0,070	0,080	0,085	0,090	0,10	175 (145 – 205)
P7	M/A/D/E	1,1	0,0055	0,011	0,016	0,022	0,028	0,032	0,044	0,055	0,065	0,070	0,080	0,085	0,090	0,10	165 (140 – 195)
P8	M/A/D/E	1,1	0,0055	0,011	0,017	0,022	0,028	0,034	0,046	0,055	0,065	0,075	0,085	0,090	0,095	0,11	155 (130 – 180)
P11	M/A/D/E	1,1	0,0055	0,011	0,016	0,022	0,028	0,032	0,044	0,055	0,065	0,070	0,080	0,085	0,090	0,10	160 (135 – 185)
M1	E/M/A	1,3	0,0024	0,0048	0,0070	0,0095	0,012	0,014	0,019	0,024	0,028	0,032	0,036	0,038	0,040	0,046	125 (110 – 140)
M2	E/M/A	1,3	0,0022	0,0044	0,0065	0,0085	0,011	0,013	0,017	0,022	0,026	0,030	0,032	0,034	0,036	0,042	105 (90 – 115)
M3	E/M/A	1,0	0,0017	0,0034	0,0050	0,0070	0,0085	0,010	0,014	0,017	0,020	0,024	0,026	0,028	0,030	0,034	80 (70 – 90)
M4	E/M/A	0,75	0,0015	0,0030	0,0046	0,0060	0,0075	0,0090	0,012	0,015	0,018	0,020	0,022	0,024	0,026	0,030	60 (55 – 70)
M5	E/M/A	0,75	0,0015	0,0030	0,0046	0,0060	0,0075	0,0090	0,012	0,015	0,018	0,020	0,022	0,024	0,026	0,030	50 (45 – 60)
K1	A/D/M/E	1,1	0,0060	0,012	0,018	0,024	0,030	0,036	0,048	0,060	0,070	0,080	0,090	0,095	0,10	0,12	175 (150 – 195)
K2	A/D/M/E	1,1	0,0055	0,011	0,016	0,022	0,028	0,032	0,044	0,055	0,065	0,075	0,080	0,085	0,090	0,10	155 (135 – 175)
K3	A/D/M/E	1,1	0,0055	0,011	0,016	0,022	0,028	0,032	0,044	0,055	0,065	0,075	0,080	0,085	0,090	0,10	130 (115 – 145)
K4	A/D/M/E	1,1	0,0055	0,011	0,016	0,022	0,028	0,032	0,044	0,055	0,065	0,075	0,080	0,085	0,090	0,10	125 (105 – 140)
K5	A/D/M/E	1,1	0,0050	0,010	0,015	0,020	0,024	0,030	0,040	0,050	0,060	0,065	0,070	0,080	0,085	0,095	75 (65 – 85)
K6	A/D/M/E	1,1	0,0055	0,011	0,016	0,022	0,028	0,032	0,044	0,055	0,065	0,075	0,080	0,085	0,090	0,10	110 (95 – 125)
K7	A/D/M/E	1,1	0,0050	0,010	0,015	0,020	0,024	0,030	0,040	0,050	0,060	0,065	0,070	0,080	0,085	0,095	95 (85 – 110)
N1	E/M/A	1,1	0,0085	0,017	0,026	0,034	0,044	0,050	0,070	0,085	0,10	0,12	0,13	0,14	0,15	0,17	780 (620 – 940)
N2	E/M/A	1,1	0,0085	0,017	0,026	0,034	0,044	0,050	0,070	0,085	0,10	0,12	0,13	0,14	0,15	0,17	500 (400 – 600)
N3	E/M/A	1,1	0,0085	0,017	0,026	0,034	0,044	0,050	0,070	0,085	0,10	0,12	0,13	0,14	0,15	0,17	335 (270 – 400)
N11	E/M/A	1,1	0,0075	0,015	0,022	0,030	0,038	0,046	0,060	0,075	0,090	0,10	0,11	0,12	0,13	0,15	365 (245 – 485)
TS1	A/D	1,3	0,010	0,020	0,030	0,040	0,050	0,060	0,080	0,10	0,12	0,13	0,14	0,16	0,17	0,19	710 (600 – 1075)
TP1	A/D	1,3	0,0060	0,012	0,018	0,024	0,030	0,036	0,048	0,060	0,070	0,085	0,095	0,11	0,12	0,15	730 (610 – 1100)
GR1	A/D	1,1	0,0055	0,011	0,016	0,022	0,028	0,032	0,044	0,055	0,065	0,075	0,080	0,085	0,090	0,10	720 (580 – 870)

Cutting data – JS514 Side milling $a_p/D_c = 0,2$

SMG		a_p / D_c	f_z													v_c
			1	2	3	4	5	6	8	10	12	14	16	20	25	
S1	E	0,85	0,0044	0,0090	0,013	0,018	0,022	0,026	0,036	0,044	0,050	0,060	0,065	0,075	0,085	55 (40 – 65)
S2	E	0,85	0,0044	0,0090	0,013	0,018	0,022	0,026	0,036	0,044	0,050	0,060	0,065	0,075	0,085	55 (40 – 65)
S3	E	0,85	0,0040	0,0080	0,012	0,016	0,020	0,024	0,032	0,040	0,048	0,055	0,060	0,070	0,080	32 (19 – 45)
S11	E	0,95	0,0050	0,010	0,015	0,020	0,026	0,030	0,040	0,050	0,060	0,065	0,075	0,085	0,095	115 (95 – 130)
S12	E	0,95	0,0050	0,010	0,015	0,020	0,026	0,030	0,040	0,050	0,060	0,065	0,075	0,085	0,095	85 (70 – 100)
S13	E	0,85	0,0044	0,0090	0,013	0,018	0,022	0,026	0,036	0,044	0,050	0,060	0,065	0,075	0,085	70 (55 – 80)
H5	M/A/D	0,26	0,0038	0,0075	0,011	0,015	0,019	0,022	0,030	0,038	0,044	0,050	0,055	0,065	0,070	65 (50 – 80)
H8	M/A/D	0,22	0,0028	0,0060	0,0085	0,012	0,014	0,017	0,024	0,028	0,034	0,038	0,042	0,048	0,055	70 (55 – 80)
H21	M/A/D	0,22	0,0028	0,0060	0,0085	0,012	0,014	0,017	0,024	0,028	0,034	0,038	0,042	0,048	0,055	70 (55 – 80)
H31	M/A/D	0,22	0,0026	0,0050	0,0075	0,010	0,013	0,015	0,020	0,026	0,030	0,034	0,036	0,042	0,048	50 (42 – 65)

SMG = Seco material group

Coolant = A=air D=dry E=emulsion M=mist spray

v_c = m/min

f_z = mm

a_p (mm)/ D_c (mm)= factor

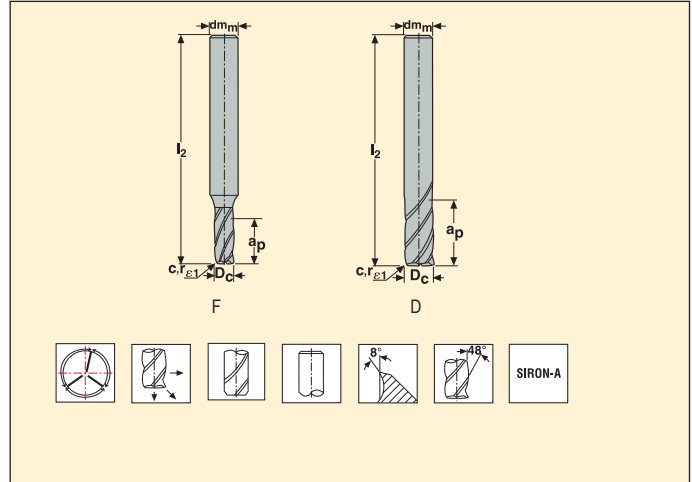
a_e (mm)/ D_c (mm)= factor

All cutting data are target values

JS553 – Solid carbide end mill – cylindrical – three flute – 45° chamfer – unequal flute spacing



Tolerances:
 $dm_m = h5$
 $D_c = e7$



Part No.	Length index	Tool shape	Dimensions in mm				c x 45°	z _n	Cylindrical
			D _c	dm _m	a _p	l ₂			
553020Z3.0-SIRON-A	2	F	2	6	5	50	0,025	3	■
553025Z3.0-SIRON-A	2	F	2,5	6	7	50	0,025	3	■
553030Z3.0-SIRON-A	2	F	3	6	7	50	0,035	3	■
553035Z3.0-SIRON-A	2	F	3,5	6	9	55	0,035	3	■
553040Z3.0-SIRON-A	2	F	4	6	10	55	0,045	3	■
553045Z3.0-SIRON-A	2	F	4,5	6	12	55	0,045	3	■
553050Z3.0-SIRON-A	2	F	5	6	12	55	0,055	3	■
553055Z3.0-SIRON-A	2	F	5,5	6	14	55	0,055	3	■
553060Z3.0-SIRON-A	2	D	6	6	14	55	0,075	3	■
553075Z3.0-SIRON-A	2	F	7,5	8	18	60	0,1	3	■
553080Z3.0-SIRON-A	2	D	8	8	18	60	0,1	3	■
553095Z3.0-SIRON-A	2	F	9,5	10	22	70	0,125	3	■
553100Z3.0-SIRON-A	2	D	10	10	22	70	0,125	3	■
553115Z3.0-SIRON-A	2	F	11,5	12	26	80	0,15	3	■
553120Z3.0-SIRON-A	2	D	12	12	26	80	0,15	3	■
553140Z3.0-SIRON-A	2	D	14	14	30	85	0,175	3	■
553160Z3.0-SIRON-A	2	D	16	16	34	90	0,2	3	■
553200Z3.0-SIRON-A	2	D	20	20	42	110	0,25	3	■
553250Z3.0-SIRON-A	2	D	25	25	52	125	0,3	3	■
553L020Z3.0-SIRON-A	3	F	2	6	7	50	0,025	3	■
553L030Z3.0-SIRON-A	3	F	3	6	10	55	0,035	3	■
553L040Z3.0-SIRON-A	3	F	4	6	14	60	0,045	3	■
553L050Z3.0-SIRON-A	3	F	5	6	18	60	0,055	3	■
553L060Z3.0-SIRON-A	3	D	6	6	20	65	0,075	3	■
553L080Z3.0-SIRON-A	3	D	8	8	28	70	0,1	3	■
553L100Z3.0-SIRON-A	3	D	10	10	35	85	0,125	3	■
553L120Z3.0-SIRON-A	3	D	12	12	40	95	0,15	3	■
553L160Z3.0-SIRON-A	3	D	16	16	50	110	0,2	3	■
553L200Z3.0-SIRON-A	3	D	20	20	60	125	0,25	3	■
553L250Z3.0-SIRON-A	3	D	25	25	75	150	0,3	3	■

■ Stock standard. Subject to change refer to current price-and stock-list.

JS553 – Solid carbide end mill – cylindrical – three flute – corner radius – OD reduction – unequal flute spacing

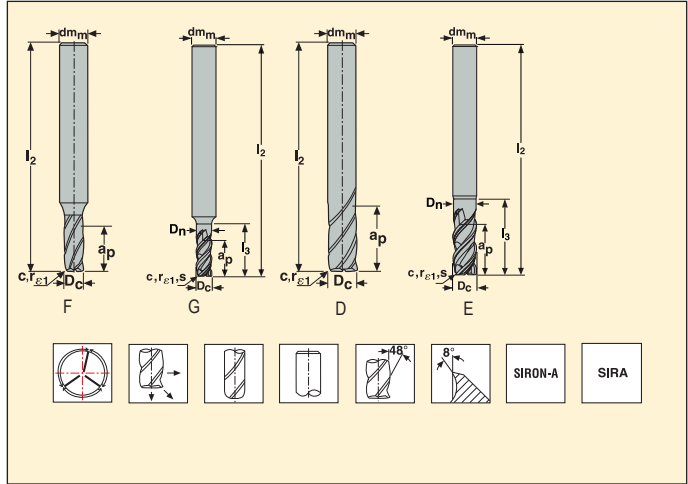


Tolerances:

$dm_m = h5$

$D_c = e7$

$r_{\epsilon 1} = \pm 0,02 \text{ mm}$



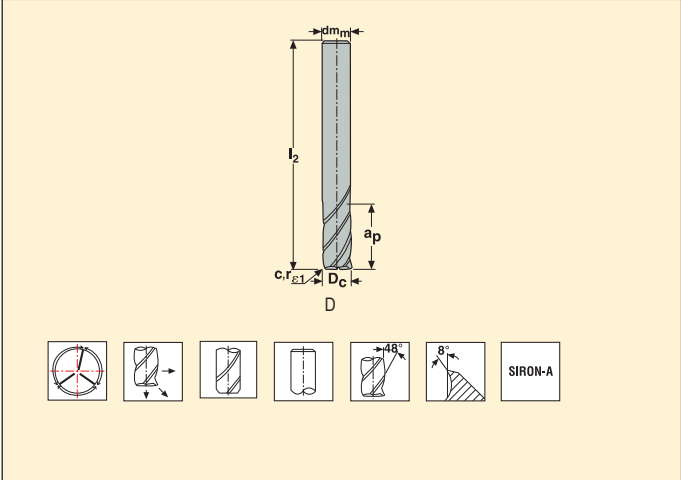
Part No.	Length index	Tool shape	Dimensions in mm								z _n	Cylindrical
			D _c	dm _m	a _p	l ₂	l ₃	D _n	r _{ε1}			
JS553020G2R050.0Z3-SIRA	2	G	2	6	5	57	8	1,9	0,5	3	■	
553030R015Z3.0-SIRON-A	2	F	3	6	7	50	–	–	0,15	3	■	
JS553030G2R050.0Z3-SIRA	2	G	3	6	7	57	11	2,85	0,5	3	■	
553040R020Z3.0-SIRON-A	2	F	4	6	10	55	–	–	0,2	3	■	
JS553040G2R050.0Z3-SIRA	2	G	4	6	10	57	13	3,8	0,5	3	■	
553050R020Z3.0-SIRON-A	2	F	5	6	12	55	–	–	0,2	3	■	
JS553050G2R050.0Z3-SIRA	2	G	5	6	10	57	15	4,75	0,5	3	■	
553060R020Z3.0-SIRON-A	2	D	6	6	14	55	–	–	0,2	3	■	
JS553060E2R050.0Z3-SIRA	2	E	6	6	14	57	19	5,7	0,5	3	■	
JS553060E2R100.0Z3-SIRA	2	E	6	6	14	57	19	5,7	1	3	■	
553080R050Z3.0-SIRON-A	2	D	8	8	18	60	–	–	0,5	3	■	
553100R050Z3.0-SIRON-A	2	D	10	10	22	70	–	–	0,5	3	■	
553100R100Z3.0-SIRON-A	2	D	10	10	22	70	–	–	1	3	■	
553100R250Z3.0-SIRON-A	2	D	10	10	22	70	–	–	2,5	3	■	
553100R310Z3.0-SIRON-A	2	D	10	10	22	70	–	–	3,1	3	■	
553100R200Z3.0-SIRON-A	2	D	10	10	22	70	–	–	2	3	■	
553120R050Z3.0-SIRON-A	2	D	12	12	26	80	–	–	0,5	3	■	
553120R100Z3.0-SIRON-A	2	D	12	12	26	80	–	–	1	3	■	
553120R200Z3.0-SIRON-A	2	D	12	12	26	80	–	–	2	3	■	
553120R250Z3.0-SIRON-A	2	D	12	12	26	80	–	–	2,5	3	■	
553120R310Z3.0-SIRON-A	2	D	12	12	26	80	–	–	3,1	3	■	
553160R050Z3.0-SIRON-A	2	D	16	16	34	90	–	–	0,5	3	■	
553160R100Z3.0-SIRON-A	2	D	16	16	34	90	–	–	1	3	■	
553160R200Z3.0-SIRON-A	2	D	16	16	34	90	–	–	2	3	■	
553160R310Z3.0-SIRON-A	2	D	16	16	34	90	–	–	3,1	3	■	
553160R400Z3.0-SIRON-A	2	D	16	16	34	90	–	–	4	3	■	
553160R250Z3.0-SIRON-A	2	D	16	16	34	90	–	–	2,5	3	■	
553200R050Z3.0-SIRON-A	2	D	20	20	42	110	–	–	0,5	3	■	
553200R100Z3.0-SIRON-A	2	D	20	20	42	110	–	–	1	3	■	
JS553200E2R200.0Z3-SIRA	2	E	20	20	42	110	54	19	2	3	■	
553250R050Z3.0-SIRON-A	2	D	25	25	52	125	–	–	0,5	3	■	
553250R100Z3.0-SIRON-A	2	D	25	25	52	125	–	–	1	3	■	

■ Stock standard. Subject to change refer to current price-and stock-list.

JS553 - Solid carbide end mill - cylindrical - three flute - 45° chamfer - inch - unequal flute spacing



Tolerances:
 dm_m=h5
 D_c=e7



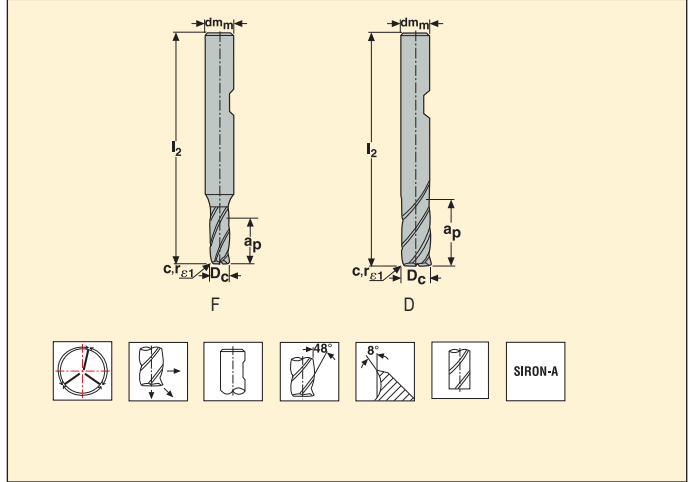
Part No.	Length index	Tool shape	Dimensions in inch				c x 45°	z _n	Cylindrical
			D _c	dm _m	a _p	l ₂			
5530125Z3.0-SIRON-A	2	D	.125	.125	.250	2.000	.001	3	■
5530187Z3.0-SIRON-A	2	D	.188	.188	.375	2.000	.001	3	■
5530250Z3.0-SIRON-A	2	D	.250	.250	.500	2.500	.003	3	■
5530312Z3.0-SIRON-A	2	D	.312	.313	.625	2.500	.004	3	■
5530375Z3.0-SIRON-A	2	D	.375	.375	.750	3.000	.005	3	■
5530500Z3.0-SIRON-A	2	D	.500	.500	1.000	3.500	.006	3	■
5530625Z3.0-SIRON-A	2	D	.625	.625	1.250	3.750	.008	3	■
5530750Z3.0-SIRON-A	2	D	.750	.750	1.500	4.000	.010	3	■
5531000Z3.0-SIRON-A	2	D	1.000	1.000	2.000	5.000	.012	3	■

■ Stock standard. Subject to change refer to current price-and stock-list.

JS553 – Solid carbide end mill – Weldon – three flute – sharp 90° corner – unequal flute spacing



Tolerances:
 $dm_m = h5$
 $D_c = e7$



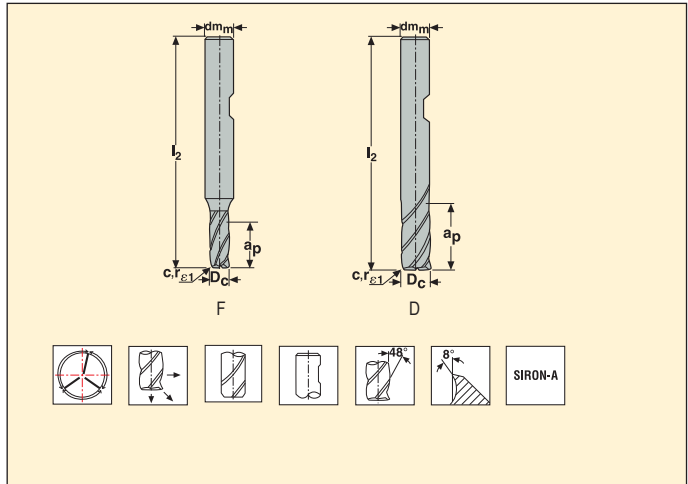
Part No.	Length index	Tool shape	Dimensions in mm				z_n	Weldon
			D_c	dm_m	a_p	l_2		
553020SZ3.0-SIRON-AW	2	F	2	6	5	50	3	<input type="checkbox"/>
553030SZ3.0-SIRON-AW	2	F	3	6	7	50	3	<input type="checkbox"/>
553040SZ3.0-SIRON-AW	2	F	4	6	10	55	3	<input type="checkbox"/>
553050SZ3.0-SIRON-AW	2	F	5	6	12	55	3	<input type="checkbox"/>
553060SZ3.0-SIRON-AW	2	D	6	6	14	55	3	<input type="checkbox"/>
553080SZ3.0-SIRON-AW	2	D	8	8	18	60	3	<input type="checkbox"/>
553100SZ3.0-SIRON-AW	2	D	10	10	22	70	3	<input type="checkbox"/>

Weldon available, delivery time is 3 days.

JS553 – Solid carbide end mill – Weldon – three flute – 45° chamfer – unequal flute spacing



Tolerances:
 $dm_m=h5$
 $D_c=e7$



Part No.	Length index	Tool shape	Dimensions in mm				c x 45°	z _n	Weldon
			D _c	dm _m	a _p	l ₂			
553020Z3.0-SIRON-AW	2	F	2	6	5	50	0,025	3	☐
553025Z3.0-SIRON-AW	2	F	2,5	6	7	50	0,025	3	☐
553030Z3.0-SIRON-AW	2	F	3	6	7	50	0,035	3	☐
553035Z3.0-SIRON-AW	2	F	3,5	6	9	55	0,035	3	☐
553040Z3.0-SIRON-AW	2	F	4	6	10	55	0,045	3	☐
553045Z3.0-SIRON-AW	2	F	4,5	6	12	55	0,045	3	☐
553050Z3.0-SIRON-AW	2	F	5	6	12	55	0,055	3	☐
553055Z3.0-SIRON-AW	2	F	5,5	6	14	55	0,055	3	☐
553060Z3.3-SIRON-A	2	D	6	6	14	55	0,075	3	■
553075Z3.3-SIRON-A	2	F	7,5	8	18	60	0,1	3	■
553080Z3.3-SIRON-A	2	D	8	8	18	60	0,1	3	■
553095Z3.3-SIRON-A	2	F	9,5	10	22	70	0,125	3	■
553100Z3.3-SIRON-A	2	D	10	10	22	70	0,125	3	■
553115Z3.3-SIRON-A	2	F	11,5	12	26	80	0,15	3	■
553120Z3.3-SIRON-A	2	D	12	12	26	80	0,15	3	■
553140Z3.3-SIRON-A	2	D	14	14	30	85	0,175	3	■
553160Z3.3-SIRON-A	2	D	16	16	34	90	0,2	3	■
553200Z3.3-SIRON-A	2	D	20	20	42	110	0,25	3	■
553250Z3.3-SIRON-A	2	D	25	25	52	125	0,3	3	■
553L020Z3.0-SIRON-AW	3	F	2	6	7	50	0,025	3	☐
553L030Z3.0-SIRON-AW	3	F	3	6	10	55	0,035	3	☐
553L040Z3.0-SIRON-AW	3	F	4	6	14	60	0,045	3	☐
553L050Z3.0-SIRON-AW	3	F	5	6	18	60	0,055	3	☐
553L060Z3.3-SIRON-A	3	D	6	6	20	65	0,075	3	■
553L080Z3.3-SIRON-A	3	D	8	8	28	70	0,1	3	■
553L100Z3.3-SIRON-A	3	D	10	10	35	85	0,125	3	■
553L120Z3.3-SIRON-A	3	D	12	12	40	95	0,15	3	■
553L160Z3.3-SIRON-A	3	D	16	16	50	110	0,2	3	■
553L200Z3.3-SIRON-A	3	D	20	20	60	125	0,25	3	■
553L250Z3.3-SIRON-A	3	D	25	25	75	150	0,3	3	■

■ Stock standard. Subject to change refer to current price-and stock-list. ☐ Weldon available, delivery time is 3 days.

JS553 – Solid carbide end mill – Weldon – three flute – corner radius – OD-reduction – unequal flute spacing

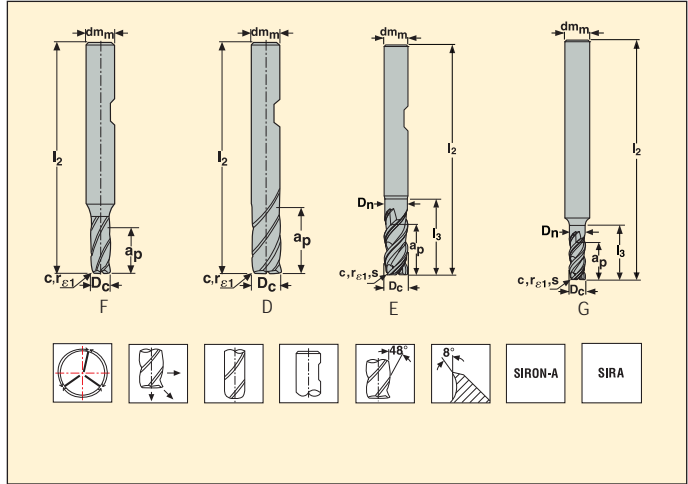


Tolerances:

$dm_m = h5$

$D_c = e7$

$r_{\epsilon 1} = +/- 0,02 \text{ mm}$



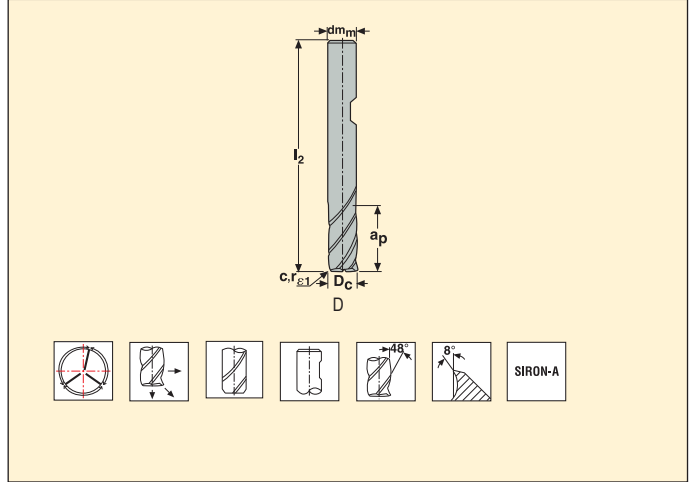
Part No.	Length index	Tool shape	Dimensions in mm							$r_{\epsilon 1}$	Z_n	Weldon
			D_c	dm_m	a_p	l_2	l_3	D_n				
JS553020G2R050.3Z3-SIRA	2	G	2	6	5	57	8	1,9	0,5	3	<input type="checkbox"/>	
553030R015Z3.0-SIRON-AW	2	F	3	6	7	50	-	-	0,15	3	<input type="checkbox"/>	
JS553030G2R050.3Z3-SIRA	2	G	3	6	7	57	11	2,85	0,5	3	<input type="checkbox"/>	
553040R020Z3.0-SIRON-AW	2	F	4	6	10	55	-	-	0,2	3	<input type="checkbox"/>	
JS553040G2R050.3Z3-SIRA	2	G	4	6	10	57	13	3,8	0,5	3	<input type="checkbox"/>	
553050R020Z3.0-SIRON-AW	2	F	5	6	12	55	-	-	0,2	3	<input type="checkbox"/>	
JS553050G2R050.3Z3-SIRA	2	G	5	6	10	57	15	4,75	0,5	3	<input type="checkbox"/>	
553060R020Z3.0-SIRON-AW	2	D	6	6	14	55	-	-	0,2	3	<input type="checkbox"/>	
JS553060E2R050.3Z3-SIRA	2	E	6	6	14	57	19	5,7	0,5	3	<input type="checkbox"/>	
JS553060E2R100.3Z3-SIRA	2	E	6	6	14	57	19	5,7	1	3	<input type="checkbox"/>	
553080R050Z3.0-SIRON-AW	2	D	8	8	18	60	-	-	0,5	3	<input type="checkbox"/>	
553100R050Z3.0-SIRON-AW	2	D	10	10	22	70	-	-	0,5	3	<input type="checkbox"/>	
553100R100Z3.0-SIRON-AW	2	D	10	10	22	70	-	-	1	3	<input type="checkbox"/>	
553100R200Z3.3-SIRON-A	2	D	10	10	22	70	-	-	2	3	<input type="checkbox"/>	
553100R250Z3.3-SIRON-A	2	D	10	10	22	70	-	-	2,5	3	<input type="checkbox"/>	
553100R310Z3.3-SIRON-A	2	D	10	10	22	70	-	-	3,1	3	<input type="checkbox"/>	
553120R050Z3.0-SIRON-AW	2	D	12	12	26	80	-	-	0,5	3	<input type="checkbox"/>	
553120R100Z3.0-SIRON-AW	2	D	12	12	26	80	-	-	1	3	<input type="checkbox"/>	
553120R200Z3.3-SIRON-A	2	D	12	12	26	80	-	-	2	3	<input type="checkbox"/>	
553120R250Z3.3-SIRON-A	2	D	12	12	26	80	-	-	2,5	3	<input type="checkbox"/>	
553120R310Z3.3-SIRON-A	2	D	12	12	26	80	-	-	3,1	3	<input type="checkbox"/>	
553160R050Z3.0-SIRON-AW	2	D	16	16	34	90	-	-	0,5	3	<input type="checkbox"/>	
553160R100Z3.0-SIRON-AW	2	D	16	16	34	90	-	-	1	3	<input type="checkbox"/>	
553160R200Z3.3-SIRON-A	2	D	16	16	34	90	-	-	2	3	<input type="checkbox"/>	
553160R250Z3.3-SIRON-A	2	D	16	16	34	90	-	-	2,5	3	<input type="checkbox"/>	
553160R310Z3.3-SIRON-A	2	D	16	16	34	90	-	-	3,1	3	<input type="checkbox"/>	
553160R400Z3.3-SIRON-A	2	D	16	16	34	90	-	-	4	3	<input type="checkbox"/>	
553200R050Z3.0-SIRON-AW	2	D	20	20	42	110	-	-	0,5	3	<input type="checkbox"/>	
553200R100Z3.0-SIRON-AW	2	D	20	20	42	110	-	-	1	3	<input type="checkbox"/>	
JS553200E2R200.3Z3-SIRA	2	E	20	20	42	110	54	19	2	3	<input type="checkbox"/>	
553250R100Z3.0-SIRON-AW	2	D	25	25	52	125	-	-	1	3	<input type="checkbox"/>	
553250R050Z3.0-SIRON-AW	2	D	25	25	52	125	-	-	0,5	3	<input type="checkbox"/>	

Weldon available, delivery time is 3 days.

JS553 – Solid carbide end mill – Weldon – three flute – 45° chamfer – inch – unequal flute spacing



Tolerances:
 $dm_m = h5$
 $D_c = e7$



Part No.	Length index	Tool shape	Dimensions in inch				$c \times 45^\circ$	z_n	Weldon
			D_c	dm_m	a_p	l_2			
5530500Z3.3-SIRON-A	2	D	.500	.500	1.000	3.500	.006	3	■
5530625Z3.3-SIRON-A	2	D	.625	.625	1.250	3.750	.008	3	■
5530750Z3.3-SIRON-A	2	D	.750	.750	1.500	4.000	.010	3	■
5531000Z3.3-SIRON-A	2	D	1.000	1.000	2.000	5.000	.012	3	■

■ Stock standard. Subject to change refer to current price-and stock-list.

Cutting data – JS553 Slotting

SMG		a _p / D _c	f _z											v _c	
			2	3	4	5	6	8	10	12	14	16	20		25
P1	M/A/D/E	1.0	0,015	0,022	0,030	0,038	0,046	0,060	0,075	0,090	0,10	0,11	0,13	0,14	195 (170 – 225)
P2	M/A/D/E	1.0	0,015	0,024	0,030	0,038	0,046	0,060	0,075	0,090	0,10	0,11	0,13	0,15	190 (165 – 220)
P3	M/A/D/E	1.0	0,015	0,022	0,030	0,036	0,044	0,060	0,075	0,085	0,095	0,11	0,12	0,14	165 (140 – 185)
P4	M/A/D/E	1.0	0,014	0,022	0,028	0,036	0,042	0,055	0,070	0,085	0,095	0,10	0,12	0,14	145 (125 – 170)
P5	M/A/D/E	1.0	0,014	0,022	0,028	0,036	0,042	0,055	0,070	0,085	0,095	0,10	0,12	0,13	140 (120 – 160)
P6	M/A/D/E	1.0	0,014	0,020	0,028	0,034	0,042	0,055	0,070	0,080	0,095	0,10	0,12	0,13	160 (135 – 180)
P7	M/A/D/E	1.0	0,014	0,020	0,028	0,034	0,042	0,055	0,070	0,080	0,095	0,10	0,12	0,13	150 (125 – 170)
P8	M/A/D/E	1.0	0,015	0,022	0,030	0,036	0,044	0,060	0,075	0,085	0,095	0,11	0,12	0,14	140 (120 – 160)
P11	M/A/D/E	1.0	0,014	0,020	0,028	0,034	0,042	0,055	0,070	0,080	0,095	0,10	0,12	0,13	145 (125 – 165)
M1	E	0.80	0,011	0,017	0,022	0,028	0,034	0,044	0,055	0,065	0,075	0,080	0,095	0,11	95 (85 – 110)
M2	E	0.80	0,010	0,015	0,020	0,026	0,030	0,040	0,050	0,060	0,065	0,075	0,085	0,095	80 (70 – 90)
M3	E	0.65	0,0080	0,012	0,016	0,020	0,024	0,032	0,040	0,048	0,055	0,060	0,070	0,075	65 (55 – 70)
M4	E	0.48	0,0070	0,011	0,014	0,018	0,022	0,028	0,036	0,042	0,046	0,050	0,060	0,065	49 (43 – 55)
M5	E	0.48	0,0070	0,011	0,014	0,018	0,022	0,028	0,036	0,042	0,046	0,050	0,060	0,065	41 (36 – 46)
K1	E	1.0	0,012	0,018	0,024	0,030	0,036	0,048	0,060	0,070	0,080	0,090	0,10	0,11	160 (140 – 180)
K2	E	1.0	0,011	0,016	0,022	0,028	0,032	0,044	0,055	0,065	0,075	0,080	0,090	0,10	140 (125 – 160)
K3	E	1.0	0,011	0,016	0,022	0,028	0,032	0,044	0,055	0,065	0,075	0,080	0,090	0,10	120 (105 – 135)
K4	E	0.70	0,010	0,015	0,020	0,024	0,030	0,040	0,050	0,060	0,065	0,075	0,085	0,095	115 (100 – 130)
K5	E	0.70	0,0090	0,013	0,018	0,022	0,026	0,036	0,044	0,055	0,060	0,065	0,075	0,085	70 (65 – 80)
K6	E	0.70	0,010	0,015	0,020	0,024	0,030	0,040	0,050	0,060	0,065	0,075	0,085	0,095	105 (90 – 115)
K7	E	0.70	0,0090	0,013	0,018	0,022	0,026	0,036	0,044	0,055	0,060	0,065	0,075	0,085	90 (80 – 105)
N1	E	0.70	0,014	0,022	0,028	0,036	0,042	0,055	0,070	0,085	0,095	0,10	0,12	0,13	930 (780 – 1100)
N2	E	0.70	0,014	0,022	0,028	0,036	0,042	0,055	0,070	0,085	0,095	0,10	0,12	0,13	600 (500 – 700)
N3	E	0.70	0,014	0,022	0,028	0,036	0,042	0,055	0,070	0,085	0,095	0,10	0,12	0,13	400 (335 – 465)
N11	E	0.70	0,014	0,022	0,028	0,036	0,042	0,055	0,070	0,085	0,095	0,10	0,12	0,13	290 (240 – 340)
S1	E	0.40	0,0065	0,0095	0,013	0,016	0,019	0,026	0,032	0,038	0,044	0,048	0,055	0,060	40 (30 – 50)
S2	E	0.40	0,0065	0,0095	0,013	0,016	0,019	0,026	0,032	0,038	0,044	0,048	0,055	0,060	40 (30 – 50)
S3	E	0.40	0,0060	0,0090	0,012	0,015	0,018	0,024	0,030	0,036	0,040	0,044	0,050	0,055	25 (15 – 35)
S11	E	1.0	0,012	0,018	0,024	0,030	0,036	0,048	0,060	0,070	0,080	0,090	0,10	0,11	85 (60 – 110)
S12	E	1.0	0,012	0,018	0,024	0,030	0,036	0,048	0,060	0,070	0,080	0,090	0,10	0,11	65 (48 – 85)
S13	E	0.85	0,011	0,016	0,022	0,026	0,032	0,042	0,055	0,060	0,070	0,075	0,090	0,10	55 (38 – 70)
H5	M/A/D	0.50	0,0040	0,0060	0,0080	0,010	0,012	0,016	0,020	0,024	0,026	0,030	0,034	0,038	50 (40 – 60)
H8	M/A/D	0.50	0,0046	0,0070	0,0090	0,012	0,014	0,018	0,024	0,028	0,030	0,034	0,040	0,044	49 (39 – 60)
H11	M/A/D	0.50	0,0040	0,0060	0,0080	0,010	0,012	0,016	0,020	0,024	0,026	0,030	0,034	0,038	65 (50 – 75)
H12	M/A/D	0.50	0,0040	0,0060	0,0080	0,010	0,012	0,016	0,020	0,024	0,026	0,030	0,034	0,038	105 (85 – 125)
H21	M/A/D	0.50	0,0046	0,0070	0,0090	0,012	0,014	0,018	0,024	0,028	0,030	0,034	0,040	0,044	49 (39 – 60)
TS1	A	1.0	0,020	0,030	0,040	0,050	0,060	0,080	0,10	0,12	0,13	0,15	0,17	0,19	250 (200 – 300)
TP1	A	1.0	0,020	0,030	0,040	0,050	0,060	0,080	0,10	0,12	0,13	0,15	0,17	0,19	230 (135 – 320)
GR1	A	1.0	0,020	0,030	0,040	0,050	0,060	0,080	0,10	0,12	0,13	0,15	0,17	0,19	500 (450 – 550)

SMG = Seco material group

Coolant = A=air D=dry E=emulsion M=mist spray

v_c = m/min

f_z = mm

a_p (mm)/D_c (mm) = factor

All cutting data are target values

Cutting data – JS553 Side milling $a_e/D_c = 0,4$

SMG		a_p / D_c	f_z												v_c
			2	3	4	5	6	8	10	12	14	16	20	25	
P1	M/A/D/E	1,0	0,015	0,024	0,030	0,038	0,046	0,060	0,075	0,090	0,10	0,11	0,13	0,15	245 (210 – 280)
P2	M/A/D/E	1,0	0,016	0,024	0,032	0,040	0,048	0,065	0,080	0,095	0,11	0,12	0,13	0,15	235 (200 – 270)
P3	M/A/D/E	1,0	0,015	0,022	0,030	0,038	0,044	0,060	0,075	0,090	0,10	0,11	0,13	0,14	205 (175 – 235)
P4	M/A/D/E	1,0	0,015	0,022	0,030	0,036	0,044	0,060	0,075	0,085	0,095	0,11	0,12	0,14	180 (155 – 205)
P5	M/A/D/E	1,0	0,014	0,022	0,028	0,036	0,042	0,055	0,070	0,085	0,095	0,11	0,12	0,14	175 (150 – 200)
P6	M/A/D/E	1,0	0,014	0,022	0,028	0,036	0,042	0,055	0,070	0,085	0,095	0,10	0,12	0,14	200 (170 – 225)
P7	M/A/D/E	1,0	0,014	0,022	0,028	0,036	0,042	0,055	0,070	0,085	0,095	0,10	0,12	0,14	185 (160 – 215)
P8	M/A/D/E	1,0	0,015	0,022	0,030	0,038	0,044	0,060	0,075	0,090	0,10	0,11	0,13	0,14	175 (150 – 200)
P11	M/A/D/E	1,0	0,014	0,022	0,028	0,036	0,042	0,055	0,070	0,085	0,095	0,10	0,12	0,14	180 (155 – 205)
M1	E	1,0	0,011	0,017	0,022	0,028	0,034	0,044	0,055	0,065	0,075	0,085	0,095	0,11	120 (105 – 135)
M2	E	1,0	0,010	0,015	0,020	0,026	0,030	0,040	0,050	0,060	0,070	0,075	0,085	0,10	100 (90 – 115)
M3	E	0,80	0,0080	0,012	0,016	0,020	0,024	0,032	0,040	0,048	0,055	0,060	0,070	0,080	80 (70 – 90)
M4	E	0,60	0,0070	0,011	0,014	0,018	0,022	0,028	0,036	0,042	0,048	0,055	0,060	0,070	60 (55 – 70)
M5	E	0,60	0,0070	0,011	0,014	0,018	0,022	0,028	0,036	0,042	0,048	0,055	0,060	0,070	50 (45 – 55)
K1	E	1,0	0,012	0,018	0,024	0,030	0,036	0,050	0,060	0,070	0,080	0,090	0,10	0,12	200 (175 – 225)
K2	E	1,0	0,011	0,017	0,022	0,028	0,034	0,044	0,055	0,065	0,075	0,080	0,095	0,11	180 (155 – 200)
K3	E	1,0	0,011	0,017	0,022	0,028	0,034	0,044	0,055	0,065	0,075	0,080	0,095	0,11	150 (130 – 170)
K4	E	1,0	0,010	0,015	0,020	0,026	0,030	0,040	0,050	0,060	0,070	0,075	0,085	0,10	145 (130 – 165)
K5	E	1,0	0,0090	0,014	0,018	0,022	0,028	0,036	0,046	0,055	0,060	0,070	0,080	0,090	90 (75 – 100)
K6	E	1,0	0,010	0,015	0,020	0,026	0,030	0,040	0,050	0,060	0,070	0,075	0,085	0,10	130 (115 – 145)
K7	E	1,0	0,0090	0,014	0,018	0,022	0,028	0,036	0,046	0,055	0,060	0,070	0,080	0,090	115 (100 – 125)
N1	E	1,2	0,014	0,022	0,028	0,036	0,042	0,055	0,070	0,085	0,095	0,11	0,12	0,14	1175 (970 – 1350)
N2	E	1,2	0,014	0,022	0,028	0,036	0,042	0,055	0,070	0,085	0,095	0,11	0,12	0,14	750 (630 – 880)
N3	E	1,2	0,014	0,022	0,028	0,036	0,042	0,055	0,070	0,085	0,095	0,11	0,12	0,14	500 (415 – 580)
N11	E	1,2	0,014	0,022	0,028	0,036	0,042	0,055	0,070	0,085	0,095	0,11	0,12	0,14	360 (300 – 425)
S11	E	1,0	0,012	0,018	0,024	0,030	0,036	0,050	0,060	0,070	0,080	0,090	0,10	0,12	110 (80 – 140)
S12	E	1,0	0,012	0,018	0,024	0,030	0,036	0,050	0,060	0,070	0,080	0,090	0,10	0,12	85 (60 – 110)
S13	E	0,85	0,011	0,016	0,022	0,026	0,032	0,042	0,055	0,065	0,070	0,080	0,090	0,10	65 (47 – 85)
TS1	A	1,0	0,020	0,030	0,040	0,050	0,060	0,080	0,10	0,12	0,14	0,15	0,17	0,20	315 (250 – 380)
TP1	A	1,0	0,020	0,030	0,040	0,050	0,060	0,080	0,10	0,12	0,14	0,15	0,17	0,20	285 (170 – 400)
GR1	A	1,0	0,020	0,030	0,040	0,050	0,060	0,080	0,10	0,12	0,14	0,15	0,17	0,20	630 (570 – 690)

Cutting data – JS553 Side milling $a_e/D_c = 0,2$

SMG		a_p / D_c	f_z												v_c
			2	3	4	5	6	8	10	12	14	16	20	25	
S1	E	0,60	0,0080	0,012	0,016	0,020	0,024	0,032	0,040	0,048	0,055	0,060	0,070	0,075	55 (41 – 70)
S2	E	0,60	0,0080	0,012	0,016	0,020	0,024	0,032	0,040	0,048	0,055	0,060	0,070	0,075	55 (41 – 70)
S3	E	0,60	0,0075	0,011	0,015	0,019	0,022	0,030	0,038	0,044	0,050	0,055	0,065	0,070	35 (21 – 48)
H5	M/A/D	1,0	0,0050	0,0075	0,010	0,013	0,015	0,020	0,026	0,030	0,034	0,036	0,042	0,048	70 (55 – 85)
H8	M/A/D	1,0	0,0060	0,0085	0,012	0,014	0,017	0,024	0,028	0,034	0,038	0,042	0,048	0,055	70 (55 – 80)
H21	M/A/D	1,0	0,0060	0,0085	0,012	0,014	0,017	0,024	0,028	0,034	0,038	0,042	0,048	0,055	70 (55 – 80)
H31	M/A/D	1,0	0,0050	0,0075	0,010	0,013	0,015	0,020	0,026	0,030	0,034	0,036	0,042	0,048	50 (42 – 60)

SMG = Seco material group

Coolant = A=air D=dry E=emulsion M=mist spray

v_c = m/min

f_z = mm

a_p (mm)/ D_c (mm)= factor

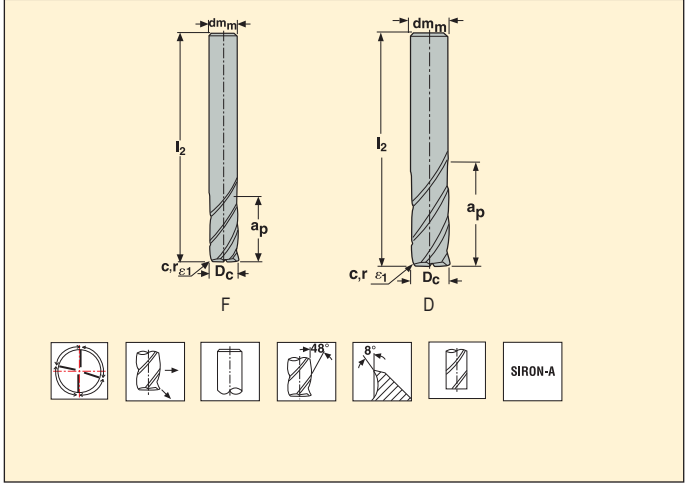
a_e (mm)/ D_c (mm)= factor

All cutting data are target values

JS554 - Solid carbide end mill - cylindrical - four flute - 90° sharp corner - unequal flute spacing



Tolerances:
 $dm_m = h5$
 $D_c = e7$



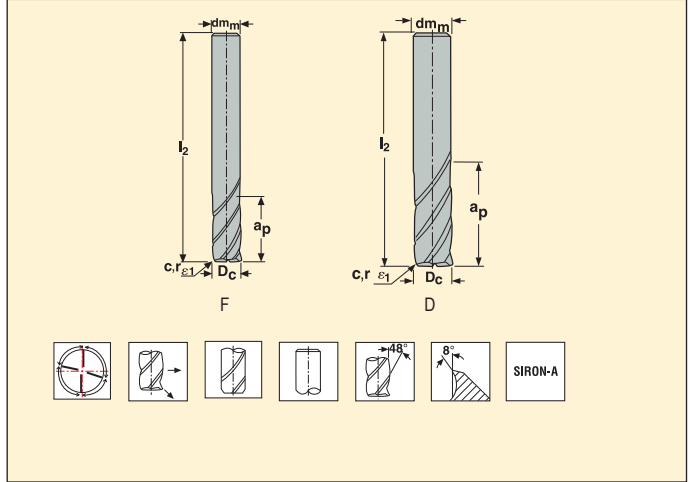
Part No.	Length index	Tool shape	Dimensions in mm				z _n	Cylindrical
			D _c	dm _m	a _p	l ₂		
554030SZ4.0-SIRON-A	2	F	3	6	7	50	4	■
554040SZ4.0-SIRON-A	2	F	4	6	10	55	4	■
554050SZ4.0-SIRON-A	2	F	5	6	12	55	4	■
554060SZ4.0-SIRON-A	2	D	6	6	14	55	4	■
554080SZ4.0-SIRON-A	2	D	8	8	18	60	4	■
554100SZ4.0-SIRON-A	2	D	10	10	22	70	4	■

■ Stock standard. Subject to change refer to current price-and stock-list.

JS554 – Solid carbide end mill – cylindrical – four flute – 45° corner chamfer – unequal flute spacing



Tolerances:
 $dm_m = h5$
 $D_c = e7$



Part No.	Length index	Tool shape	Dimensions in mm				c x 45°	z _n	Cylindrical
			D _c	dm _m	a _p	l ₂			
554030Z4.0-SIRON-A	2	F	3	6	7	50	0,035	4	■
554040Z4.0-SIRON-A	2	F	4	6	10	55	0,045	4	■
554050Z4.0-SIRON-A	2	F	5	6	12	55	0,055	4	■
554060Z4.0-SIRON-A	2	D	6	6	14	55	0,075	4	■
554080Z4.0-SIRON-A	2	D	8	8	18	60	0,1	4	■
554100Z4.0-SIRON-A	2	D	10	10	22	70	0,125	4	■
554120Z4.0-SIRON-A	2	D	12	12	26	80	0,15	4	■
554160Z4.0-SIRON-A	2	D	16	16	34	90	0,2	4	■
554200Z4.0-SIRON-A	2	D	20	20	42	100	0,25	4	■
554250Z4.0-SIRON-A	2	D	25	25	52	125	0,3	4	■
554L030Z4.0-SIRON-A	3	F	3	6	12	55	0,035	4	■
554L040Z4.0-SIRON-A	3	F	4	6	16	60	0,045	4	■
554L050Z4.0-SIRON-A	3	F	5	6	20	65	0,055	4	■
554L060Z4.0-SIRON-A	3	D	6	6	23	65	0,075	4	■
554L080Z4.0-SIRON-A	3	D	8	8	32	75	0,1	4	■
554L100Z4.0-SIRON-A	3	D	10	10	40	85	0,125	4	■
554L120Z4.0-SIRON-A	3	D	12	12	45	100	0,15	4	■
554L160Z4.0-SIRON-A	3	D	16	16	55	115	0,2	4	■
554L200Z4.0-SIRON-A	3	D	20	20	65	125	0,25	4	■
554L250Z4.0-SIRON-A	3	D	25	25	85	150	0,3	4	■

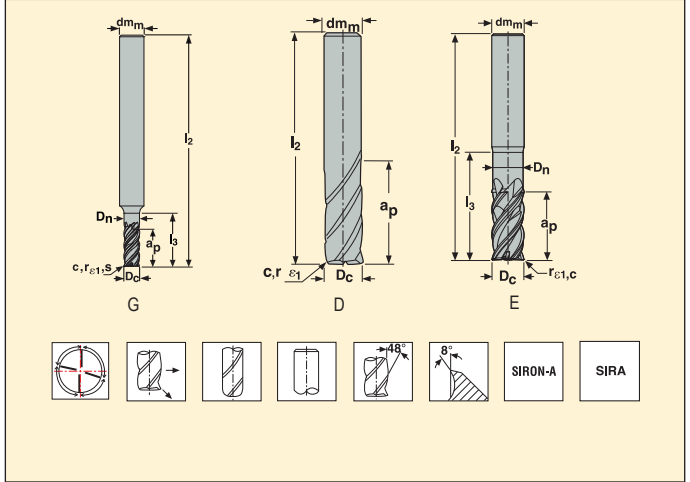
■ Stock standard. Subject to change refer to current price-and stock-list.

JS554 – Solid carbide end mill – cylindrical – four flute – corner radius – OD-reduction – unequal flute spacing



Tolerances:

$dm_m = h5$
 $D_c = e7$
 $r_{\epsilon 1} = +/- 0,02 \text{ mm}$



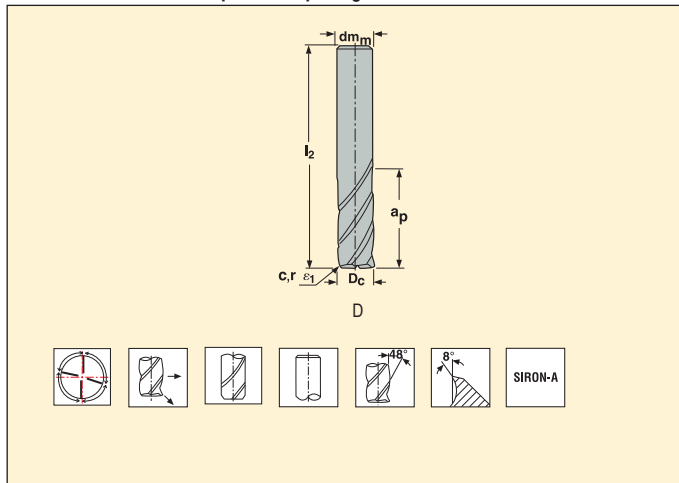
Part No.	Length index	Tool shape	Dimensions in mm								$r_{\epsilon 1}$	z_n	Cylindrical
			D_c	dm_m	a_p	l_2	l_3	D_n					
JS554030G2R015.0Z4-SIRA	2	G	3	6	7	57	10	2,85	0,15	4	■		
JS554040G2R020.0Z4-SIRA	2	G	4	6	10	57	13	3,8	0,2	4	■		
JS554050G2R020.0Z4-SIRA	2	G	5	6	12	57	16	4,75	0,2	4	■		
554060R020Z4.0-SIRON-A	2	D	6	6	14	55	–	–	0,2	4	■		
JS554060E2R050.0Z4-SIRA	2	E	6	6	14	57	18	5,7	0,5	4	■		
554080R050Z4.0-SIRON-A	2	D	8	8	18	60	–	–	0,5	4	■		
JS554080E2R100.0Z4-SIRA	2	E	8	8	18	63	25	7,6	1	4	■		
554100R050Z4.0-SIRON-A	2	D	10	10	22	70	–	–	0,5	4	■		
554100R100Z4.0-SIRON-A	2	D	10	10	22	70	–	–	1	4	■		
JS554100E2R200.0Z4-SIRA	2	E	10	10	22	72	29	9,7	2	4	■		
554120R050Z4.0-SIRON-A	2	D	12	12	26	80	–	–	0,5	4	■		
554120R100Z4.0-SIRON-A	2	D	12	12	26	80	–	–	1	4	■		
JS554120E2R200.0Z4-SIRA	2	E	12	12	26	83	35	11,4	2	4	■		
JS554120E2R250.0Z4-SIRA	2	E	12	12	26	83	35	11,4	2,5	4	■		
554160R050Z4.0-SIRON-A	2	D	16	16	34	90	–	–	0,5	4	■		
554160R100Z4.0-SIRON-A	2	D	16	16	34	90	–	–	1	4	■		
554160R200Z4.0-SIRON-A	2	D	16	16	34	90	–	–	2	4	■		
554160R310Z4.0-SIRON-A	2	D	16	16	34	90	–	–	3,1	4	■		
554160R400Z4.0-SIRON-A	2	D	16	16	34	90	–	–	4	4	■		
554200R050Z4.0-SIRON-A	2	D	20	20	42	100	–	–	0,5	4	■		
554200R100Z4.0-SIRON-A	2	D	20	20	42	100	–	–	1	4	■		
JS554200E2R200.0Z4-SIRA	2	E	20	20	42	110	54	19	2	4	■		
554200R250Z4.0-SIRON-A	2	D	20	20	42	100	–	–	2,5	4	■		
554200R310Z4.0-SIRON-A	2	D	20	20	42	100	–	–	3,1	4	■		
554200R400Z4.0-SIRON-A	2	D	20	20	42	100	–	–	4	4	■		
554250R050Z4.0-SIRON-A	2	D	25	25	52	125	–	–	0,5	4	■		
554250R100Z4.0-SIRON-A	2	D	25	25	52	125	–	–	1	4	■		
554250R310Z4.0-SIRON-A	2	D	25	25	52	125	–	–	3,1	4	■		
554250R400Z4.0-SIRON-A	2	D	25	25	52	125	–	–	4	4	■		

■ Stock standard. Subject to change refer to current price-and stock-list.

JS554 - Solid carbide end mill - cylindrical - four flute - 45° chamfer - inch - unequal flute spacing



Tolerances:
 $dm_m = h5$
 $D_c = e7$



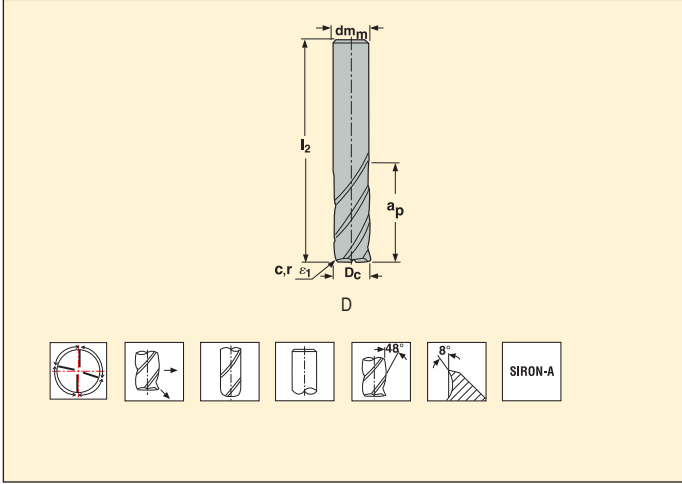
Part No.	Length index	Tool shape	Dimensions in inch				c x 45°	z_n	Cylindrical
			D_c	dm_m	a_p	l_2			
5540250Z4.0-SIRON-A	2	D	.250	.250	.500	2.500	.003	4	■
5540312Z4.0-SIRON-A	2	D	.312	.313	.625	2.500	.004	4	■
5540375Z4.0-SIRON-A	2	D	.375	.375	.750	3.000	.005	4	■
5540500Z4.0-SIRON-A	2	D	.500	.500	1.000	3.500	.006	4	■
5540625Z4.0-SIRON-A	2	D	.625	.625	1.250	3.750	.008	4	■
5540750Z4.0-SIRON-A	2	D	.750	.750	1.500	4.000	.010	4	■
5541000Z4.0-SIRON-A	2	D	1.000	1.000	2.000	5.000	.012	4	■

■ Stock standard. Subject to change refer to current price-and stock-list.

JS554 – Solid carbide end mill – cylindrical – four flute – corner radius – inch – unequal flute spacing



Tolerances:
 $dm_m = h5$
 $D_c = e7$
 $r_{c1} = \pm .0008$



Part No.	Length index	Tool shape	Dimensions in inch				r_{c1}	z_n	Cylindrical
			D_c	dm_m	a_p	l_2			
5540250R015Z4.0-SIRON-A	2	D	.250	.250	.500	2.500	.015	4	■
5540312R015Z4.0-SIRON-A	2	D	.312	.313	.625	2.500	.015	4	■
5540375R015Z4.0-SIRON-A	2	D	.375	.375	.750	3.000	.015	4	■
5540375R030Z4.0-SIRON-A	2	D	.375	.375	.750	3.000	.030	4	■
5540500R015Z4.0-SIRON-A	2	D	.500	.500	1.000	3.500	.015	4	■
5540500R030Z4.0-SIRON-A	2	D	.500	.500	1.000	3.500	.030	4	■
5540500R125Z4.0-SIRON-A	2	D	.500	.500	1.000	3.500	.125	4	■
5540625R015Z4.0-SIRON-A	2	D	.625	.625	1.250	3.750	.015	4	■
5540625R030Z4.0-SIRON-A	2	D	.625	.625	1.250	3.750	.030	4	■
5540625R125Z4.0-SIRON-A	2	D	.625	.625	1.250	3.750	.125	4	■
5540750R030Z4.0-SIRON-A	2	D	.750	.750	1.500	4.000	.030	4	■
5540750R060Z4.0-SIRON-A	2	D	.750	.750	1.500	4.000	.060	4	■
5540750R090Z4.0-SIRON-A	2	D	.750	.750	1.500	4.000	.090	4	■
5540750R125Z4.0-SIRON-A	2	D	.750	.750	1.500	4.000	.125	4	■
5541000R030Z4.0-SIRON-A	2	D	1.000	1.000	2.000	5.000	.030	4	■
5541000R060Z4.0-SIRON-A	2	D	1.000	1.000	2.000	5.000	.060	4	■
5541000R090Z4.0-SIRON-A	2	D	1.000	1.000	2.000	5.000	.090	4	■
5541000R125Z4.0-SIRON-A	2	D	1.000	1.000	2.000	5.000	.125	4	■

■ Stock standard. Subject to change refer to current price-and stock-list.

JS554 – Solid carbide end mill – Weldon – four flute – 45° corner chamfer – unequal flute spacing

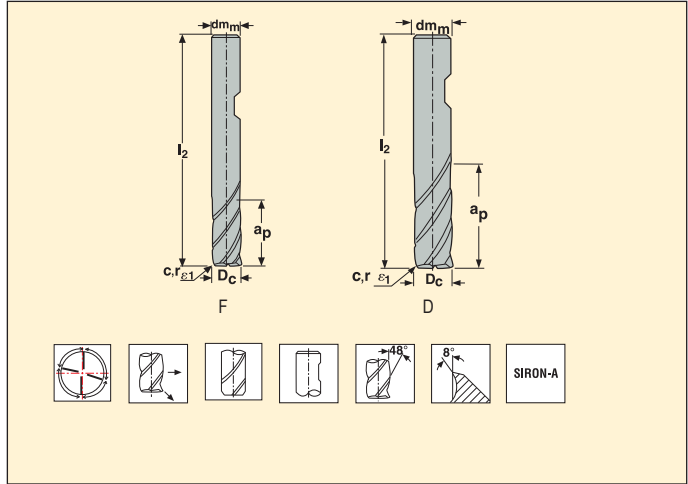


Tolerances:

$dm_m = h5$

$D_c = e7$

$r_{\epsilon 1} = +/- 0,02 \text{ mm}$



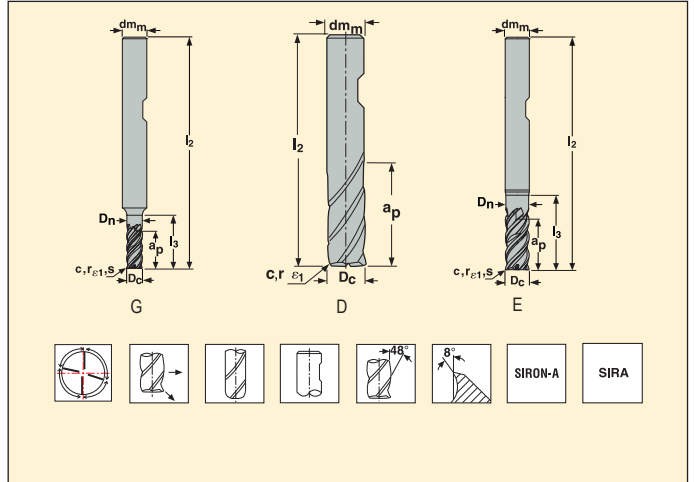
Part No.	Length index	Tool shape	Dimensions in mm				$c \times 45^\circ$	z_n	Weldon
			D_c	dm_m	a_p	l_2			
554030Z4.3-SIRON-A	2	F	3	6	7	50	0,035	4	■
554040Z4.3-SIRON-A	2	F	4	6	10	55	0,045	4	■
554050Z4.3-SIRON-A	2	F	5	6	12	55	0,055	4	■
554060Z4.3-SIRON-A	2	D	6	6	14	55	0,075	4	■
554080Z4.3-SIRON-A	2	D	8	8	18	60	0,1	4	■
554100Z4.3-SIRON-A	2	D	10	10	22	70	0,125	4	■
554120Z4.3-SIRON-A	2	D	12	12	26	80	0,15	4	■
554160Z4.3-SIRON-A	2	D	16	16	34	90	0,2	4	■
554200Z4.3-SIRON-A	2	D	20	20	42	100	0,25	4	■
554250Z4.3-SIRON-A	2	D	25	25	52	125	0,3	4	■
554L030Z4.3-SIRON-A	3	F	3	6	12	55	0,035	4	■
554L040Z4.3-SIRON-A	3	F	4	6	16	60	0,045	4	■
554L050Z4.3-SIRON-A	3	F	5	6	20	65	0,055	4	■
554L060Z4.3-SIRON-A	3	D	6	6	23	65	0,075	4	■
554L080Z4.3-SIRON-A	3	D	8	8	32	75	0,1	4	■
554L100Z4.3-SIRON-A	3	D	10	10	40	85	0,125	4	■
554L120Z4.3-SIRON-A	3	D	12	12	45	100	0,15	4	■
554L160Z4.3-SIRON-A	3	D	16	16	55	115	0,2	4	■
554L200Z4.3-SIRON-A	3	D	20	20	65	125	0,25	4	■
554L250Z4.3-SIRON-A	3	D	25	25	85	150	0,3	4	■

■ Stock standard. Subject to change refer to current price-and stock-list.

JS554 – Solid carbide end mill – Weldon – four flute – corner radius – unequal flute spacing



Tolerances:
 $dm_m = h5$
 $D_c = e7$
 $r_{e1} = \pm 0,02 \text{ mm}$



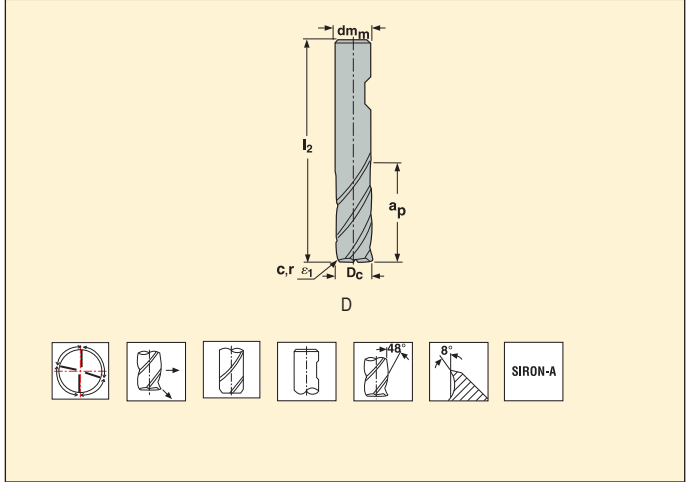
Part No.	Length index	Tool shape	Dimensions in mm						r_{e1}	z_n	Weldon
			D_c	dm_m	a_p	l_2	l_3	D_n			
JS554030G2R015.3Z4-SIRA	2	G	3	6	7	57	10	2,85	0,15	4	<input type="checkbox"/>
JS554040G2R020.3Z4-SIRA	2	G	4	6	10	57	13	3,8	0,2	4	<input type="checkbox"/>
JS554050G2R020.3Z4-SIRA	2	G	5	6	12	57	16	4,75	0,2	4	<input type="checkbox"/>
554060R020Z4.3-SIRON-A	2	D	6	6	14	55	–	–	0,2	4	<input checked="" type="checkbox"/>
JS554060E2R050.3Z4-SIRA	2	E	6	6	14	57	18	5,7	0,5	4	<input type="checkbox"/>
554080R050Z4.3-SIRON-A	2	D	8	8	18	60	–	–	0,5	4	<input checked="" type="checkbox"/>
JS554080E2R100.3Z4-SIRA	2	E	8	8	18	63	25	7,6	1	4	<input type="checkbox"/>
554100R050Z4.3-SIRON-A	2	D	10	10	22	70	–	–	0,5	4	<input checked="" type="checkbox"/>
554100R100Z4.3-SIRON-A	2	D	10	10	22	70	–	–	1	4	<input checked="" type="checkbox"/>
JS554100E2R200.3Z4-SIRA	2	E	10	10	22	72	29	9,7	2	4	<input type="checkbox"/>
554120R050Z4.3-SIRON-A	2	D	12	12	26	80	–	–	0,5	4	<input checked="" type="checkbox"/>
554120R100Z4.3-SIRON-A	2	D	12	12	26	80	–	–	1	4	<input checked="" type="checkbox"/>
JS554120E2R200.3Z4-SIRA	2	E	12	12	26	83	35	11,4	2	4	<input type="checkbox"/>
JS554120E2R250.3Z4-SIRA	2	E	12	12	26	83	35	11,4	2,5	4	<input type="checkbox"/>
554160R050Z4.3-SIRON-A	2	D	16	16	34	90	–	–	0,5	4	<input checked="" type="checkbox"/>
554160R100Z4.3-SIRON-A	2	D	16	16	34	90	–	–	1	4	<input checked="" type="checkbox"/>
554160R200Z4.3-SIRON-A	2	D	16	16	34	90	–	–	2	4	<input checked="" type="checkbox"/>
554160R310Z4.3-SIRON-A	2	D	16	16	34	90	–	–	3,1	4	<input checked="" type="checkbox"/>
554160R400Z4.3-SIRON-A	2	D	16	16	34	90	–	–	4	4	<input checked="" type="checkbox"/>
554200R050Z4.3-SIRON-A	2	D	20	20	42	100	–	–	0,5	4	<input checked="" type="checkbox"/>
554200R100Z4.3-SIRON-A	2	D	20	20	42	100	–	–	1	4	<input checked="" type="checkbox"/>
JS554200E2R200.3Z4-SIRA	2	E	20	20	42	110	54	19	2	4	<input type="checkbox"/>
554200R250Z4.3-SIRON-A	2	D	20	20	42	100	–	–	2,5	4	<input checked="" type="checkbox"/>
554200R310Z4.3-SIRON-A	2	D	20	20	42	100	–	–	3,1	4	<input checked="" type="checkbox"/>
554200R400Z4.3-SIRON-A	2	D	20	20	42	100	–	–	4	4	<input checked="" type="checkbox"/>
554250R050Z4.3-SIRON-A	2	D	25	25	52	125	–	–	0,5	4	<input checked="" type="checkbox"/>
554250R100Z4.3-SIRON-A	2	D	25	25	52	125	–	–	1	4	<input checked="" type="checkbox"/>
554250R310Z4.3-SIRON-A	2	D	25	25	52	125	–	–	3,1	4	<input checked="" type="checkbox"/>
554250R400Z4.3-SIRON-A	2	D	25	25	52	125	–	–	4	4	<input checked="" type="checkbox"/>

■ Stock standard. Subject to change refer to current price-and stock-list. □ Weldon available, delivery time is 3 days.

JS554 – Solid carbide end mill – Weldon – four flute – 45° corner chamfer – inch – unequal flute spacing



Tolerances:
 $dm_m = h5$
 $D_c = e7$



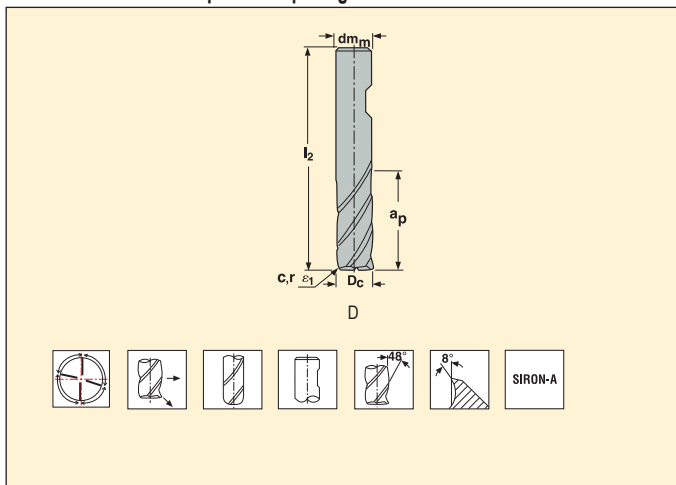
Part No.	Length index	Tool shape	Dimensions in inch				c x 45°	z _n	Weldon
			D _c	dm _m	a _p	l ₂			
5540500Z4.3-SIRON-A	2	D	.500	.500	1.000	3.500	.006	4	■
5540625Z4.3-SIRON-A	2	D	.625	.625	1.250	3.750	.008	4	■
5540750Z4.3-SIRON-A	2	D	.750	.750	1.500	4.000	.010	4	■
5541000Z4.3-SIRON-A	2	D	1.000	1.000	2.000	5.000	.012	4	■

■ Stock standard. Subject to change refer to current price-and stock-list.

JS554 – Solid carbide end mill – Weldon – four flute – corner radius – inch – unequal flute spacing



Tolerances:
 $dm_m = h5$
 $D_c = e7$
 $r_{e1} = +/- .0008$



Part No.	Length index	Tool shape	Dimensions in inch				r_{e1}	z_n	Weldon
			D_c	dm_m	a_p	l_2			
5540500R015Z4.3-SIRON-A	2	D	.500	.500	1.000	3.500	.015	4	■
5540500R030Z4.3-SIRON-A	2	D	.500	.500	1.000	3.500	.030	4	■
5540500R125Z4.3-SIRON-A	2	D	.500	.500	1.000	3.500	.125	4	■
5540625R015Z4.3-SIRON-A	2	D	.625	.625	1.250	3.750	.015	4	■
5540625R030Z4.3-SIRON-A	2	D	.625	.625	1.250	3.750	.030	4	■
5540625R125Z4.3-SIRON-A	2	D	.625	.625	1.250	3.750	.125	4	■
5540750R030Z4.3-SIRON-A	2	D	.750	.750	1.500	4.000	.030	4	■
5540750R060Z4.3-SIRON-A	2	D	.750	.750	1.500	4.000	.060	4	■
5540750R090Z4.3-SIRON-A	2	D	.750	.750	1.500	4.000	.090	4	■
5540750R125Z4.3-SIRON-A	2	D	.750	.750	1.500	4.000	.125	4	■
5541000R030Z4.3-SIRON-A	2	D	1.000	1.000	2.000	5.000	.030	4	■
5541000R060Z4.3-SIRON-A	2	D	1.000	1.000	2.000	5.000	.060	4	■
5541000R090Z4.3-SIRON-A	2	D	1.000	1.000	2.000	5.000	.090	4	■
5541000R125Z4.3-SIRON-A	2	D	1.000	1.000	2.000	5.000	.125	4	■

■ Stock standard. Subject to change refer to current price-and stock-list.

Cutting data – JS554 Slotting

SMG		a_p / D_c	f_z										v_c
			3	4	5	6	8	10	12	16	20	25	
P1	M/A/D/E	1,0	0,019	0,026	0,032	0,038	0,050	0,065	0,075	0,095	0,11	0,12	195 (170 – 225)
P2	M/A/D/E	1,0	0,020	0,026	0,034	0,040	0,055	0,065	0,080	0,095	0,11	0,13	190 (165 – 220)
P3	M/A/D/E	1,0	0,019	0,024	0,032	0,038	0,050	0,060	0,075	0,090	0,11	0,12	165 (145 – 190)
P4	M/A/D/E	1,0	0,018	0,024	0,030	0,036	0,048	0,060	0,070	0,090	0,10	0,12	145 (125 – 170)
P5	M/A/D/E	1,0	0,018	0,024	0,030	0,036	0,048	0,060	0,070	0,090	0,10	0,11	140 (120 – 160)
P6	M/A/D/E	1,0	0,018	0,024	0,030	0,036	0,048	0,060	0,070	0,085	0,10	0,11	160 (135 – 180)
P7	M/A/D/E	1,0	0,018	0,024	0,030	0,036	0,048	0,060	0,070	0,085	0,10	0,11	150 (125 – 170)
P8	M/A/D/E	1,0	0,019	0,024	0,032	0,038	0,050	0,060	0,075	0,090	0,11	0,12	140 (120 – 160)
P11	M/A/D/E	1,0	0,018	0,024	0,030	0,036	0,048	0,060	0,070	0,085	0,10	0,11	145 (125 – 165)
M1	E	0,80	0,013	0,018	0,022	0,026	0,036	0,044	0,050	0,065	0,075	0,085	100 (85 – 110)
M2	E	0,80	0,012	0,016	0,020	0,024	0,032	0,040	0,048	0,060	0,070	0,075	80 (70 – 90)
M3	E	0,65	0,0095	0,013	0,016	0,019	0,026	0,032	0,038	0,048	0,055	0,060	65 (55 – 70)
M4	E	0,48	0,0085	0,011	0,014	0,017	0,022	0,028	0,034	0,042	0,048	0,055	49 (43 – 55)
M5	E	0,48	0,0085	0,011	0,014	0,017	0,022	0,028	0,034	0,042	0,048	0,055	41 (36 – 46)
K1	E	1,0	0,015	0,020	0,026	0,030	0,040	0,050	0,060	0,075	0,085	0,095	160 (140 – 180)
K2	E	1,0	0,014	0,018	0,022	0,028	0,036	0,046	0,055	0,065	0,075	0,085	140 (125 – 160)
K3	E	1,0	0,014	0,018	0,022	0,028	0,036	0,046	0,055	0,065	0,075	0,085	120 (105 – 135)
K4	E	0,80	0,015	0,020	0,026	0,030	0,040	0,050	0,060	0,075	0,085	0,095	110 (100 – 125)
K5	E	0,80	0,014	0,018	0,022	0,028	0,036	0,046	0,055	0,065	0,075	0,085	70 (60 – 75)
K6	E	0,80	0,015	0,020	0,026	0,030	0,040	0,050	0,060	0,075	0,085	0,095	100 (85 – 110)
K7	E	0,80	0,014	0,018	0,022	0,028	0,036	0,046	0,055	0,065	0,075	0,085	85 (75 – 100)
N1	E	0,50	0,018	0,024	0,030	0,036	0,048	0,060	0,070	0,090	0,10	0,11	930 (780 – 1100)
N2	E	0,50	0,018	0,024	0,030	0,036	0,048	0,060	0,070	0,090	0,10	0,11	600 (500 – 700)
N3	E	0,50	0,018	0,024	0,030	0,036	0,048	0,060	0,070	0,090	0,10	0,11	400 (335 – 465)
N11	E	0,50	0,018	0,024	0,030	0,036	0,048	0,060	0,070	0,090	0,10	0,11	300 (250 – 350)
S1	E	0,40	0,0095	0,013	0,016	0,019	0,026	0,032	0,038	0,048	0,055	0,060	40 (30 – 50)
S2	E	0,40	0,0095	0,013	0,016	0,019	0,026	0,032	0,038	0,048	0,055	0,060	40 (30 – 50)
S3	E	0,40	0,0090	0,012	0,015	0,018	0,024	0,030	0,036	0,044	0,050	0,055	25 (15 – 35)
S11	E	1,0	0,018	0,024	0,030	0,036	0,048	0,060	0,070	0,090	0,10	0,11	85 (70 – 95)
S12	E	1,0	0,018	0,024	0,030	0,036	0,048	0,060	0,070	0,090	0,10	0,11	65 (55 – 75)
S13	E	0,85	0,016	0,022	0,026	0,032	0,042	0,055	0,060	0,075	0,090	0,10	50 (44 – 60)
H5	M/A/D	0,40	0,0060	0,0080	0,010	0,012	0,016	0,020	0,024	0,030	0,034	0,038	50 (40 – 60)
H8	M/A/D	0,50	0,0070	0,0090	0,012	0,014	0,018	0,024	0,028	0,034	0,040	0,044	49 (39 – 60)
H11	M/A/D	0,40	0,0060	0,0080	0,010	0,012	0,016	0,020	0,024	0,030	0,034	0,038	65 (50 – 80)
H12	M/A/D	0,40	0,0060	0,0080	0,010	0,012	0,016	0,020	0,024	0,030	0,034	0,038	105 (85 – 125)
H21	M/A/D	0,50	0,0070	0,0090	0,012	0,014	0,018	0,024	0,028	0,034	0,040	0,044	49 (39 – 60)
TS1	A	0,80	0,030	0,040	0,050	0,060	0,080	0,10	0,12	0,15	0,17	0,19	250 (150 – 350)
TP1	A	0,80	0,030	0,040	0,050	0,060	0,080	0,10	0,12	0,15	0,17	0,19	230 (135 – 320)
GR1	A	0,80	0,030	0,040	0,050	0,060	0,080	0,10	0,12	0,15	0,17	0,19	500 (400 – 600)

SMG = Seco material group

Coolant = A=air D=dry E=emulsion M=mist spray

v_c = m/min

f_z = mm

a_p (mm)/ D_c (mm) = factor

All cutting data are target values

Cutting data – JS554 Side milling roughing $a_e/D_c = 0,4$

SMG		a_p / D_c	f_z									v_c	
			3	4	5	6	8	10	12	16	20		25
P1	M/A/D/E	1,0	0,020	0,026	0,034	0,040	0,055	0,065	0,080	0,095	0,11	0,13	245 (210 – 280)
P2	M/A/D/E	1,0	0,020	0,026	0,034	0,040	0,055	0,065	0,080	0,10	0,11	0,13	240 (205 – 275)
P3	M/A/D/E	1,0	0,019	0,026	0,032	0,038	0,050	0,065	0,075	0,095	0,11	0,12	205 (175 – 235)
P4	M/A/D/E	1,0	0,019	0,024	0,032	0,038	0,050	0,060	0,075	0,090	0,11	0,12	185 (160 – 210)
P5	M/A/D/E	1,0	0,018	0,024	0,030	0,036	0,050	0,060	0,070	0,090	0,10	0,12	175 (150 – 200)
P6	M/A/D/E	1,0	0,018	0,024	0,030	0,036	0,048	0,060	0,070	0,090	0,10	0,12	200 (170 – 225)
P7	M/A/D/E	1,0	0,018	0,024	0,030	0,036	0,048	0,060	0,070	0,090	0,10	0,12	185 (160 – 215)
P8	M/A/D/E	1,0	0,019	0,026	0,032	0,038	0,050	0,065	0,075	0,095	0,11	0,12	175 (150 – 200)
P11	M/A/D/E	1,0	0,018	0,024	0,030	0,036	0,048	0,060	0,070	0,090	0,10	0,12	180 (155 – 205)
M1	E	1,0	0,013	0,018	0,022	0,026	0,036	0,044	0,055	0,065	0,075	0,085	120 (105 – 135)
M2	E	1,0	0,012	0,016	0,020	0,024	0,032	0,040	0,048	0,060	0,070	0,080	100 (90 – 115)
M3	E	0,80	0,010	0,013	0,016	0,020	0,026	0,032	0,038	0,048	0,055	0,065	80 (70 – 90)
M4	E	0,60	0,0085	0,011	0,014	0,017	0,022	0,028	0,034	0,042	0,048	0,055	60 (55 – 70)
M5	E	0,60	0,0085	0,011	0,014	0,017	0,022	0,028	0,034	0,042	0,048	0,055	50 (44 – 55)
K1	E	1,0	0,015	0,020	0,026	0,030	0,040	0,050	0,060	0,075	0,085	0,10	200 (175 – 225)
K2	E	1,0	0,014	0,019	0,024	0,028	0,038	0,046	0,055	0,070	0,080	0,090	175 (155 – 200)
K3	E	1,0	0,014	0,019	0,024	0,028	0,038	0,046	0,055	0,070	0,080	0,090	150 (130 – 170)
K4	E	1,0	0,015	0,020	0,026	0,030	0,040	0,050	0,060	0,075	0,085	0,10	140 (125 – 160)
K5	E	1,0	0,014	0,018	0,022	0,028	0,036	0,046	0,055	0,070	0,080	0,090	85 (75 – 95)
K6	E	1,0	0,015	0,020	0,026	0,030	0,040	0,050	0,060	0,075	0,085	0,10	125 (110 – 140)
K7	E	1,0	0,014	0,018	0,022	0,028	0,036	0,046	0,055	0,070	0,080	0,090	110 (95 – 125)
N1	E	1,2	0,018	0,024	0,030	0,036	0,048	0,060	0,070	0,090	0,10	0,12	1150 (970 – 1350)
N2	E	1,2	0,018	0,024	0,030	0,036	0,048	0,060	0,070	0,090	0,10	0,12	750 (620 – 870)
N3	E	1,2	0,018	0,024	0,030	0,036	0,048	0,060	0,070	0,090	0,10	0,12	495 (415 – 580)
N11	E	1,2	0,018	0,024	0,030	0,036	0,048	0,060	0,070	0,090	0,10	0,12	375 (310 – 435)
S11	E	1,0	0,018	0,024	0,030	0,036	0,050	0,060	0,070	0,090	0,10	0,12	105 (90 – 120)
S12	E	1,0	0,018	0,024	0,030	0,036	0,050	0,060	0,070	0,090	0,10	0,12	80 (70 – 90)
S13	E	0,85	0,016	0,022	0,026	0,032	0,042	0,055	0,065	0,080	0,090	0,10	65 (55 – 75)
TS1	A	1,1	0,030	0,040	0,050	0,060	0,080	0,10	0,12	0,15	0,17	0,20	315 (190 – 440)
TP1	A	1,1	0,030	0,040	0,050	0,060	0,080	0,10	0,12	0,15	0,17	0,20	285 (170 – 400)
GR1	A	1,1	0,030	0,040	0,050	0,060	0,080	0,10	0,12	0,15	0,17	0,20	630 (500 – 750)

SMG = Seco material group

Coolant = A=air D=dry E=emulsion M=mist spray

v_c = m/min

f_z = mm

a_p (mm)/ D_c (mm)= factor

a_e (mm)/ D_c (mm)= factor

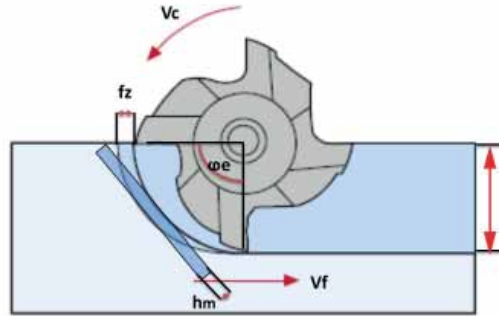
All cutting data are target values

Advanced Roughing, what does it mean?

These CAM-based rough-machining, or dynamic milling, strategies are ones that centre on a cutting tool's arc of contact and its average chip load.

When reducing the arc of contact, the amount of heat generated during roughing operations is reduced. As the radial depth of cut decreases, so does a cutter's arc of contact. A smaller amount of contact results in less friction and, therefore, less heat between the tool's cutting edges and the workpiece it is machining. These lower machining temperatures, in turn, allow for increased cutting speeds shorter cycle times.

JS554-3C Cutter designs for advanced roughing machining methods



To cover a wide range of workpiece materials, Seco recently modified the geometries of its Jibro®-Solid² 550 line of cutters specifically for optimised rough-machining strategies.

Within the JS550 Series are longer length tools that the company determined work best for deep pocket and 3D shape roughing/dynamic milling.

When a steady arc of contact is maintained, these tools experience consistent and evenly distributed wear along their flutes and provide a long and predictable tool life.

To create chips that are smaller and more manageable, Seco modified its JS554 L (long version) cutter design by adding chip splitters. The modified cutter, now known as the JS554 3C (C indicating chip splitters).

JS554-3C applied in Advanced roughing

Today's CAM packages offer toolpath strategies specifically for inside/outside radii shapes where changing arcs of contact are common when using conventional toolpaths. These software packages automatically apply different feeds to control arc of contact and keep chip loads consistent.

In advanced roughing, to maintain arc of contact, CAM packages need to employ trochoidal machining and peel milling techniques when entering a radius.

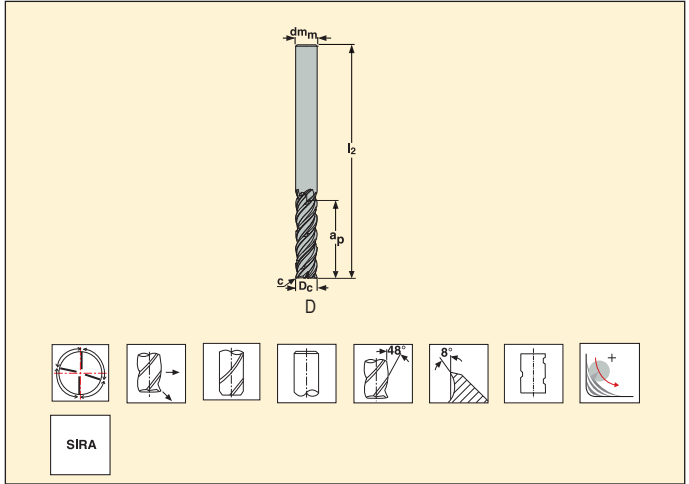
When using an optimised roughing toolpath and maintaining consistent arc of contact, the cutter's radius can match that of the inside radius being cut without risk of cutter overload, grabbing or overcutting. This capability allows the JS554-3C to remove more stock in the roughing pass, thus reducing the amount of stock the finish pass has to cut – all of which translates to faster machining cycle times.



JS554 – Solid carbide end mill – cylindrical – four flute – chip splitters – advanced roughing – chamfer 45°



Tolerances:
 $dm_m = h5$
 $D_c = e7$



Part No.	Length index	Tool shape	Dimensions in mm				c x 45°	z _n	Cylindrical
			D _c	dm _m	a _p	l ₂			
JS554060D3C.0Z4C-SIRA	3	D	6	6	23	65	0,075	4	■
JS554080D3C.0Z4C-SIRA	3	D	8	8	32	75	0,1	4	■
JS554100D3C.0Z4C-SIRA	3	D	10	10	40	85	0,125	4	■
JS554120D3C.0Z4C-SIRA	3	D	12	12	45	100	0,15	4	■
JS554160D3C.0Z4C-SIRA	3	D	16	16	55	115	0,2	4	■
JS554200D3C.0Z4C-SIRA	3	D	20	20	65	125	0,25	4	■
JS554250D3C.0Z4C-SIRA	3	D	25	25	85	150	0,3	4	■

■ Stock standard. Subject to change refer to current price-and stock-list.

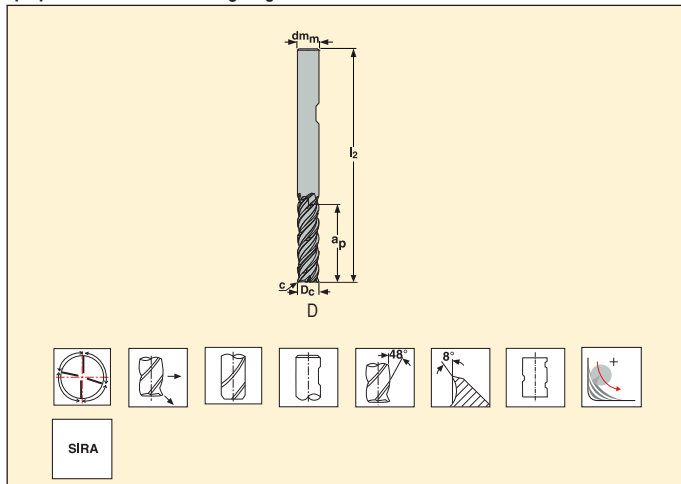
JS554 – Solid carbide end mill – Weldon – four flute – chip splitters – advanced roughing – chamfer 45°



Tolerances:

$dm_m = h5$

$D_c = e7$



Part No.	Length index	Tool shape	Dimensions in mm				c x 45°	z _n	Weldon
			D _c	dm _m	a _p	l ₂			
JS554060D3C.3Z4C-SIRA	3	D	6	6	23	65	0,075	4	■
JS554080D3C.3Z4C-SIRA	3	D	8	8	32	75	0,1	4	■
JS554100D3C.3Z4C-SIRA	3	D	10	10	40	85	0,125	4	■
JS554120D3C.3Z4C-SIRA	3	D	12	12	45	100	0,15	4	■
JS554160D3C.3Z4C-SIRA	3	D	16	16	55	115	0,2	4	■
JS554200D3C.3Z4C-SIRA	3	D	20	20	65	125	0,25	4	■
JS554250D3C.3Z4C-SIRA	3	D	25	25	85	150	0,3	4	■

■ Stock standard. Subject to change refer to current price-and stock-list.

Cutting data – JS554_3C Advanced roughing $a_p/D_c = 0,1$

SMG		a_p / D_c	f_z							v_c
			6	8	10	12	16	20	25	
P1	M/A/D/E	3,5	0,065	0,085	0,11	0,13	0,16	0,18	0,20	420 (350 – 630)
P2	M/A/D/E	3,5	0,065	0,090	0,11	0,13	0,16	0,19	0,22	410 (345 – 610)
P3	M/A/D/E	3,5	0,065	0,085	0,10	0,12	0,15	0,18	0,20	360 (300 – 540)
P4	M/A/D/E	3,5	0,060	0,080	0,10	0,12	0,15	0,17	0,20	315 (265 – 470)
P5	M/A/D/E	3,5	0,060	0,080	0,10	0,12	0,15	0,17	0,19	300 (255 – 450)
P6	M/A/D/E	3,5	0,060	0,080	0,10	0,12	0,15	0,17	0,19	340 (285 – 510)
P7	M/A/D/E	3,5	0,060	0,080	0,10	0,12	0,15	0,17	0,19	320 (270 – 475)
P8	M/A/D/E	3,5	0,065	0,085	0,10	0,12	0,15	0,18	0,20	300 (255 – 450)
P11	M/A/D/E	3,5	0,060	0,080	0,10	0,12	0,15	0,17	0,19	310 (260 – 465)
M1	E	3,5	0,085	0,11	0,14	0,16	0,20	0,24	0,26	175 (145 – 260)
M2	E	3,5	0,075	0,10	0,13	0,15	0,19	0,22	0,24	140 (120 – 215)
M3	E	3,5	0,060	0,080	0,10	0,12	0,15	0,17	0,19	115 (95 – 170)
M4	E	3,5	0,060	0,080	0,10	0,12	0,15	0,17	0,19	85 (70 – 130)
M5	E	3,5	0,060	0,080	0,10	0,12	0,15	0,17	0,19	70 (60 – 105)
K1	E	3,5	0,065	0,090	0,11	0,13	0,16	0,19	0,22	345 (290 – 510)
K2	E	3,5	0,060	0,080	0,10	0,12	0,15	0,17	0,19	305 (255 – 455)
K3	E	3,5	0,060	0,080	0,10	0,12	0,15	0,17	0,19	260 (215 – 385)
K4	E	3,5	0,060	0,080	0,10	0,12	0,15	0,17	0,19	245 (205 – 370)
K5	E	3,5	0,055	0,075	0,090	0,11	0,13	0,15	0,17	150 (125 – 225)
K6	E	3,5	0,060	0,080	0,10	0,12	0,15	0,17	0,19	215 (180 – 325)
K7	E	3,5	0,055	0,075	0,090	0,11	0,13	0,15	0,17	190 (160 – 285)
N1	E	3,5	0,085	0,11	0,14	0,17	0,20	0,24	0,28	1075 (910 – 1625)
N2	E	3,5	0,085	0,11	0,14	0,17	0,20	0,24	0,28	700 (590 – 1050)
N3	E	3,5	0,085	0,11	0,14	0,17	0,20	0,24	0,28	465 (390 – 700)
N11	E	3,5	0,085	0,11	0,14	0,17	0,20	0,24	0,28	350 (295 – 520)
H5	M/A/D	3,5	0,026	0,034	0,044	0,050	0,065	0,075	0,085	230 (195 – 345)
H8	M/A/D	3,5	0,030	0,040	0,050	0,060	0,075	0,085	0,095	225 (190 – 340)
H11	M/A/D	3,5	0,026	0,034	0,044	0,050	0,065	0,075	0,085	295 (250 – 445)
H12	M/A/D	3,5	0,026	0,034	0,044	0,050	0,065	0,075	0,085	480 (400 – 720)
H21	M/A/D	3,5	0,030	0,040	0,050	0,060	0,075	0,085	0,095	225 (190 – 340)

Cutting data – JS554_3C Advanced roughing $a_p/D_c = 0,05$

SMG		a_p / D_c	f_z							v_c
			6	8	10	12	16	20	25	
S1	E	3,5	0,046	0,060	0,075	0,090	0,11	0,13	0,15	48 (40 – 70)
S2	E	3,5	0,046	0,060	0,075	0,090	0,11	0,13	0,15	48 (40 – 70)
S3	E	3,5	0,042	0,055	0,070	0,085	0,11	0,12	0,14	24 (20 – 36)
S11	E	3,5	0,036	0,046	0,060	0,070	0,085	0,10	0,11	190 (160 – 285)
S12	E	3,5	0,036	0,046	0,060	0,070	0,085	0,10	0,11	145 (125 – 220)
S13	E	3,5	0,030	0,040	0,050	0,060	0,075	0,085	0,10	115 (100 – 175)

SMG = Seco material group

Coolant = A=air D=dry E=emulsion M=mist spray

v_c = m/min

f_z = mm

a_p (mm)/ D_c (mm)= factor

a_g (mm)/ D_c (mm)= factor

All cutting data are target values

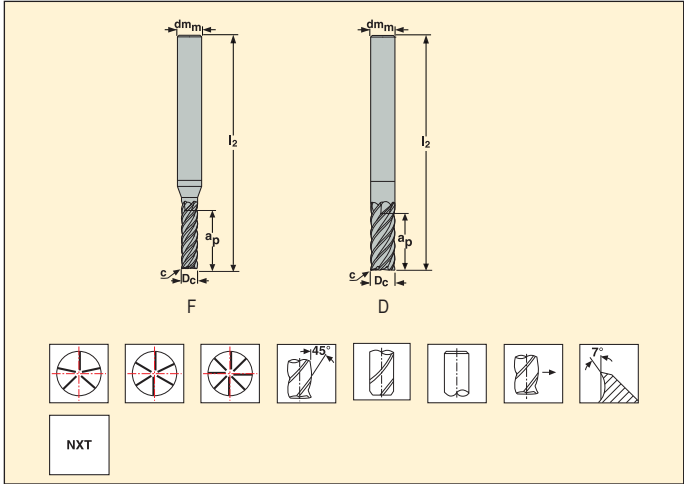
SEE JS554 3C in action



JS520 – Solid carbide end mill – polished coating – cylindrical – multi flute – 45° corner chamfer



Tolerances:
 $dm_m = h5$
 $D_c = e7$



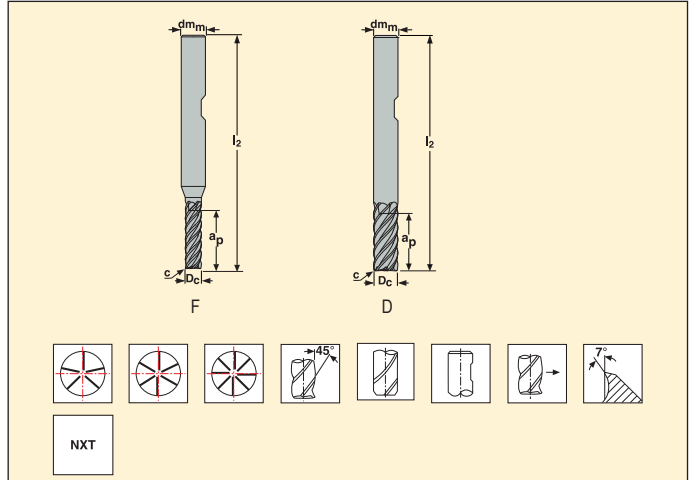
Part No.	Length index	Tool shape	Dimensions in mm					z_n	Cylindrical
			D_c	dm_m	a_p	l_2	$c \times 45^\circ$		
JS520040F2C.0Z5-NXT	2	F	4	6	10	57	0,04	5	■
JS520050F2C.0Z5-NXT	2	F	5	6	12	57	0,05	5	■
JS520060D2C.0Z5-NXT	2	D	6	6	15	57	0,06	5	■
JS520060D2C.0Z6-NXT	2	D	6	6	15	57	0,06	6	■
JS520080D2C.0Z5-NXT	2	D	8	8	20	63	0,08	5	■
JS520080D2C.0Z6-NXT	2	D	8	8	20	63	0,08	6	■
JS520100D2C.0Z6-NXT	2	D	10	10	25	72	0,1	6	■
JS520120D2C.0Z6-NXT	2	D	12	12	25	83	0,12	6	■
JS520140D2C.0Z6-NXT	2	D	14	14	30	83	0,14	6	■
JS520160D2C.0Z6-NXT	2	D	16	16	30	92	0,16	6	■
JS520160D2C.0Z8-NXT	2	D	16	16	30	92	0,16	8	■
JS520200D2C.0Z8-NXT	2	D	20	20	35	104	0,2	8	■
JS520250D2C.0Z8-NXT	2	D	25	25	50	125	0,25	8	■
JS520040F3C.0Z5-NXT	3	F	4	6	15	57	0,04	5	■
JS520050F3C.0Z5-NXT	3	F	5	6	19	57	0,05	5	■
JS520060D3C.0Z5-NXT	3	D	6	6	20	63	0,06	5	■
JS520060D3C.0Z6-NXT	3	D	6	6	20	63	0,06	6	■
JS520080D3C.0Z5-NXT	3	D	8	8	30	80	0,08	5	■
JS520080D3C.0Z6-NXT	3	D	8	8	30	80	0,08	6	■
JS520100D3C.0Z6-NXT	3	D	10	10	40	89	0,1	6	■
JS520120D3C.0Z6-NXT	3	D	12	12	45	100	0,12	6	■
JS520160D3C.0Z6-NXT	3	D	16	16	65	125	0,16	6	■
JS520160D3C.0Z8-NXT	3	D	16	16	65	125	0,16	8	■
JS520200D3C.0Z8-NXT	3	D	20	20	65	125	0,2	8	■
JS520250D3C.0Z8-NXT	3	D	25	25	75	150	0,25	8	■

■ Stock standard. Subject to change refer to current price-and stock-list.

JS520 - Solid carbide end mill - Weldon - polished coating - multi flute - 45° corner chamfer



Tolerances:
 $dm_m=h5$
 $D_c=e7$



Part No.	Length index	Tool shape	Dimensions in mm					z_n	Weldon
			D_c	dm_m	a_p	l_2	$c \times 45^\circ$		
JS520040F2C.3Z5-NXT	2	F	4	6	10	57	0,04	5	<input type="checkbox"/>
JS520050F2C.3Z5-NXT	2	F	5	6	12	57	0,05	5	<input type="checkbox"/>
JS520060D2C.3Z5-NXT	2	D	6	6	15	57	0,06	5	<input type="checkbox"/>
JS520060D2C.3Z6-NXT	2	D	6	6	15	57	0,06	6	<input type="checkbox"/>
JS520080D2C.3Z5-NXT	2	D	8	8	20	63	0,08	5	<input type="checkbox"/>
JS520080D2C.3Z6-NXT	2	D	8	8	20	63	0,08	6	<input type="checkbox"/>
JS520100D2C.3Z6-NXT	2	D	10	10	25	72	0,1	6	<input type="checkbox"/>
JS520120D2C.3Z6-NXT	2	D	12	12	25	83	0,12	6	<input type="checkbox"/>
JS520140D2C.3Z6-NXT	2	D	14	14	30	83	0,14	6	<input type="checkbox"/>
JS520160D2C.3Z6-NXT	2	D	16	16	30	92	0,16	6	<input type="checkbox"/>
JS520160D2C.3Z8-NXT	2	D	16	16	30	92	0,16	8	<input type="checkbox"/>
JS520200D2C.3Z8-NXT	2	D	20	20	35	104	0,2	8	<input type="checkbox"/>
JS520250D2C.3Z8-NXT	2	D	25	25	50	125	0,25	8	<input type="checkbox"/>
JS520040F3C.3Z5-NXT	3	F	4	6	15	57	0,04	5	<input type="checkbox"/>
JS520050F3C.3Z5-NXT	3	F	5	6	19	57	0,05	5	<input type="checkbox"/>
JS520060D3C.3Z5-NXT	3	D	6	6	20	63	0,06	5	<input type="checkbox"/>
JS520060D3C.3Z6-NXT	3	D	6	6	20	63	0,06	6	<input type="checkbox"/>
JS520080D3C.3Z5-NXT	3	D	8	8	30	80	0,08	5	<input type="checkbox"/>
JS520080D3C.3Z6-NXT	3	D	8	8	30	80	0,08	6	<input type="checkbox"/>
JS520100D3C.3Z6-NXT	3	D	10	10	40	89	0,1	6	<input type="checkbox"/>
JS520120D3C.3Z6-NXT	3	D	12	12	45	100	0,12	6	<input type="checkbox"/>
JS520160D3C.3Z6-NXT	3	D	16	16	65	125	0,16	6	<input type="checkbox"/>
JS520160D3C.3Z8-NXT	3	D	16	16	65	125	0,16	8	<input type="checkbox"/>
JS520200D3C.3Z8-NXT	3	D	20	20	65	125	0,2	8	<input type="checkbox"/>
JS520250D3C.3Z8-NXT	3	D	25	25	75	150	0,25	8	<input type="checkbox"/>

Weldon available, delivery time is 3 days.

Cutting data – JS520 Side milling finishing $a_p/D_c = 0,05$

SMG		a_p / D_c	f_z										v_c
			4	5	6	8	10	12	14	16	20	25	
P1	E/M/A	2,0	0,080	0,10	0,12	0,16	0,20	0,24	0,26	0,28	0,32	0,36	255 (170 – 340)
P2	E/M/A	2,0	0,080	0,10	0,12	0,16	0,20	0,24	0,26	0,30	0,34	0,38	250 (165 – 330)
P3	E/M/A	2,0	0,075	0,095	0,11	0,15	0,19	0,22	0,26	0,28	0,32	0,36	215 (145 – 290)
P4	E/M/A	2,0	0,075	0,090	0,11	0,15	0,18	0,22	0,24	0,26	0,30	0,34	190 (130 – 255)
P5	E/M/A	2,0	0,070	0,090	0,11	0,14	0,18	0,22	0,24	0,26	0,30	0,34	185 (120 – 245)
P6	E/M/A	2,0	0,070	0,090	0,11	0,14	0,18	0,22	0,24	0,26	0,30	0,34	205 (135 – 275)
P7	E/M/A	2,0	0,070	0,090	0,11	0,14	0,18	0,22	0,24	0,26	0,30	0,34	195 (130 – 260)
P8	E/M/A	2,0	0,075	0,095	0,11	0,15	0,19	0,22	0,26	0,28	0,32	0,36	180 (120 – 240)
P11	E/M/A	2,0	0,070	0,090	0,11	0,14	0,18	0,22	0,24	0,26	0,30	0,34	190 (125 – 250)
M1	E/M/A	2,0	0,080	0,10	0,12	0,16	0,20	0,24	0,26	0,30	0,34	0,38	150 (110 – 185)
M2	E/M/A	2,0	0,070	0,090	0,11	0,14	0,18	0,22	0,24	0,26	0,30	0,34	120 (90 – 155)
M3	E/M/A	2,0	0,055	0,070	0,085	0,11	0,14	0,17	0,19	0,20	0,24	0,28	95 (75 – 120)
M4	E/M/A	2,0	0,050	0,060	0,075	0,10	0,12	0,15	0,17	0,18	0,20	0,24	75 (55 – 95)
M5	E/M/A	2,0	0,050	0,060	0,075	0,10	0,12	0,15	0,17	0,18	0,20	0,24	60 (47 – 80)
K1	E/M/A	2,0	0,080	0,10	0,12	0,16	0,20	0,24	0,26	0,30	0,34	0,38	180 (120 – 240)
K2	E/M/A	2,0	0,070	0,090	0,11	0,14	0,18	0,22	0,24	0,26	0,30	0,34	160 (105 – 210)
K3	E/M/A	2,0	0,070	0,090	0,11	0,14	0,18	0,22	0,24	0,26	0,30	0,34	135 (90 – 180)
K4	E/M/A	2,0	0,070	0,090	0,11	0,14	0,18	0,22	0,24	0,26	0,30	0,34	130 (85 – 170)
K5	E/M/A	2,0	0,065	0,080	0,095	0,13	0,16	0,19	0,22	0,24	0,28	0,30	80 (50 – 105)
K6	E/M/A	2,0	0,070	0,090	0,11	0,14	0,18	0,22	0,24	0,26	0,30	0,34	115 (75 – 150)
K7	E/M/A	2,0	0,065	0,080	0,095	0,13	0,16	0,19	0,22	0,24	0,28	0,30	100 (65 – 135)
N1	E/M/A	2,0	0,090	0,11	0,13	0,18	0,22	0,26	0,32	0,36	0,44	0,48	730 (640 – 820)
N2	E/M/A	2,0	0,090	0,11	0,13	0,18	0,22	0,26	0,32	0,36	0,44	0,48	470 (410 – 530)
N3	E/M/A	2,0	0,090	0,11	0,13	0,18	0,22	0,26	0,32	0,36	0,44	0,48	315 (275 – 350)
N11	E/M/A	2,0	0,090	0,11	0,13	0,18	0,22	0,26	0,32	0,36	0,44	0,48	470 (410 – 530)
S1	E/M/A	2,0	0,048	0,060	0,070	0,095	0,12	0,14	0,16	0,18	0,20	0,22	65 (55 – 75)
S2	E/M/A	2,0	0,048	0,060	0,070	0,095	0,12	0,14	0,16	0,18	0,20	0,22	65 (55 – 75)
S3	E/M/A	2,0	0,044	0,055	0,065	0,090	0,11	0,13	0,15	0,16	0,19	0,22	44 (33 – 55)
S11	E/M/A	2,0	0,055	0,070	0,085	0,11	0,14	0,17	0,19	0,20	0,24	0,28	135 (115 – 150)
S12	E/M/A	2,0	0,055	0,070	0,085	0,11	0,14	0,17	0,19	0,20	0,24	0,28	100 (90 – 115)
S13	E/M/A	2,0	0,050	0,060	0,075	0,10	0,12	0,15	0,17	0,18	0,20	0,24	80 (70 – 90)
H5	M/A	2,0	0,040	0,050	0,060	0,080	0,10	0,12	0,14	0,16	0,19	0,22	125 (60 – 185)
H8	M/A	2,0	0,034	0,042	0,050	0,065	0,085	0,10	0,11	0,12	0,14	0,16	125 (65 – 190)
H11	M/A	2,0	0,040	0,050	0,060	0,080	0,10	0,12	0,14	0,16	0,19	0,22	160 (80 – 240)
H12	M/A	2,0	0,040	0,050	0,060	0,080	0,10	0,12	0,14	0,16	0,19	0,22	255 (130 – 385)
H21	M/A	2,0	0,034	0,042	0,050	0,065	0,085	0,10	0,11	0,12	0,14	0,16	125 (65 – 190)
TS1	A/D	2,0	0,070	0,090	0,11	0,14	0,18	0,22	0,24	0,26	0,30	0,34	610 (490 – 730)
TP1	A/D	2,0	0,070	0,090	0,11	0,14	0,18	0,22	0,24	0,26	0,30	0,34	610 (490 – 730)
GR1	A/D	2,0	0,070	0,090	0,11	0,14	0,18	0,22	0,24	0,26	0,30	0,34	610 (490 – 730)

SMG = Seco material group

Coolant = A=air D=dry E=emulsion M=mist spray

v_c = m/min

f_z = mm

a_p (mm)/ D_c (mm) = factor

a_g (mm)/ D_c (mm) = factor

All cutting data are target values

Cutting data – JS520 Side milling roughing $a_e/D_c = 0,1$

SMG		a_p / D_c	f_z										v_c
			4	5	6	8	10	12	14	16	20	25	
P1	E/M/A	0,65	0,044	0,055	0,065	0,090	0,11	0,13	0,15	0,16	0,19	0,22	225 (150 – 300)
P2	E/M/A	0,65	0,044	0,055	0,065	0,090	0,11	0,13	0,15	0,16	0,19	0,22	220 (145 – 290)
P3	E/M/A	0,65	0,042	0,055	0,065	0,085	0,11	0,13	0,14	0,16	0,18	0,20	190 (125 – 250)
P4	E/M/A	0,65	0,042	0,050	0,060	0,085	0,10	0,12	0,14	0,15	0,18	0,20	170 (110 – 225)
P5	E/M/A	0,65	0,040	0,050	0,060	0,080	0,10	0,12	0,14	0,15	0,17	0,19	160 (105 – 215)
P6	E/M/A	0,65	0,040	0,050	0,060	0,080	0,10	0,12	0,13	0,15	0,17	0,19	180 (120 – 240)
P7	E/M/A	0,65	0,040	0,050	0,060	0,080	0,10	0,12	0,13	0,15	0,17	0,19	170 (115 – 225)
P8	E/M/A	0,65	0,042	0,055	0,065	0,085	0,11	0,13	0,14	0,16	0,18	0,20	160 (105 – 210)
P11	E/M/A	0,65	0,040	0,050	0,060	0,080	0,10	0,12	0,13	0,15	0,17	0,19	165 (110 – 220)
M1	E/M/A	0,65	0,044	0,055	0,065	0,090	0,11	0,13	0,15	0,16	0,19	0,22	130 (100 – 165)
M2	E/M/A	0,65	0,040	0,050	0,060	0,080	0,10	0,12	0,14	0,15	0,17	0,19	105 (80 – 135)
M3	E/M/A	0,50	0,032	0,040	0,048	0,065	0,080	0,095	0,11	0,12	0,14	0,16	85 (65 – 105)
M4	E/M/A	0,38	0,028	0,036	0,042	0,055	0,070	0,085	0,095	0,10	0,12	0,14	65 (49 – 80)
M5	E/M/A	0,38	0,028	0,036	0,042	0,055	0,070	0,085	0,095	0,10	0,12	0,14	55 (41 – 70)
K1	E/M/A	0,65	0,044	0,055	0,065	0,090	0,11	0,13	0,15	0,16	0,19	0,22	160 (105 – 210)
K2	E/M/A	0,65	0,040	0,050	0,060	0,080	0,10	0,12	0,14	0,15	0,17	0,19	140 (95 – 185)
K3	E/M/A	0,65	0,040	0,050	0,060	0,080	0,10	0,12	0,14	0,15	0,17	0,19	120 (80 – 155)
K4	E/M/A	0,65	0,040	0,050	0,060	0,080	0,10	0,12	0,14	0,15	0,17	0,19	115 (75 – 150)
K5	E/M/A	0,65	0,036	0,046	0,055	0,075	0,090	0,11	0,12	0,13	0,15	0,17	70 (46 – 90)
K6	E/M/A	0,65	0,040	0,050	0,060	0,080	0,10	0,12	0,14	0,15	0,17	0,19	100 (65 – 130)
K7	E/M/A	0,65	0,036	0,046	0,055	0,075	0,090	0,11	0,12	0,13	0,15	0,17	85 (60 – 115)
N1	E/M/A	0,65	0,055	0,070	0,085	0,11	0,14	0,17	0,19	0,22	0,24	0,28	620 (550 – 700)
N2	E/M/A	0,65	0,055	0,070	0,085	0,11	0,14	0,17	0,19	0,22	0,24	0,28	400 (350 – 450)
N3	E/M/A	0,65	0,055	0,070	0,085	0,11	0,14	0,17	0,19	0,22	0,24	0,28	265 (235 – 300)
N11	E/M/A	0,65	0,055	0,070	0,085	0,11	0,14	0,17	0,19	0,22	0,24	0,28	400 (350 – 450)
S1	E/M/A	0,11	0,028	0,034	0,042	0,055	0,070	0,080	0,090	0,10	0,12	0,13	55 (48 – 65)
S2	E/M/A	0,11	0,028	0,034	0,042	0,055	0,070	0,080	0,090	0,10	0,12	0,13	55 (48 – 65)
S3	E/M/A	0,11	0,026	0,032	0,038	0,050	0,065	0,075	0,085	0,095	0,11	0,12	39 (29 – 48)
S11	E/M/A	0,44	0,032	0,040	0,048	0,065	0,080	0,095	0,11	0,12	0,14	0,16	115 (100 – 130)
S12	E/M/A	0,44	0,032	0,040	0,048	0,065	0,080	0,095	0,11	0,12	0,14	0,16	90 (80 – 100)
S13	E/M/A	0,38	0,028	0,036	0,042	0,055	0,070	0,085	0,095	0,10	0,12	0,14	70 (60 – 80)
H5	M/A	0,65	0,026	0,032	0,038	0,050	0,065	0,075	0,085	0,095	0,11	0,12	105 (55 – 160)
H8	M/A	0,55	0,019	0,024	0,030	0,038	0,048	0,055	0,065	0,070	0,080	0,095	110 (55 – 165)
H21	M/A	0,55	0,019	0,024	0,030	0,038	0,048	0,055	0,065	0,070	0,080	0,095	110 (55 – 165)
H31	M/A	0,55	0,017	0,020	0,026	0,034	0,042	0,050	0,055	0,060	0,070	0,080	85 (42 – 125)
TS1	A/D	0,65	0,040	0,050	0,060	0,080	0,10	0,12	0,14	0,15	0,17	0,19	540 (430 – 640)
TP1	A/D	0,65	0,040	0,050	0,060	0,080	0,10	0,12	0,14	0,15	0,17	0,19	540 (430 – 640)
GR1	A/D	0,65	0,040	0,050	0,060	0,080	0,10	0,12	0,14	0,15	0,17	0,19	540 (430 – 640)

SMG = Seco material group

Coolant = A=air D=dry E=emulsion M=mist spray

v_c = m/min

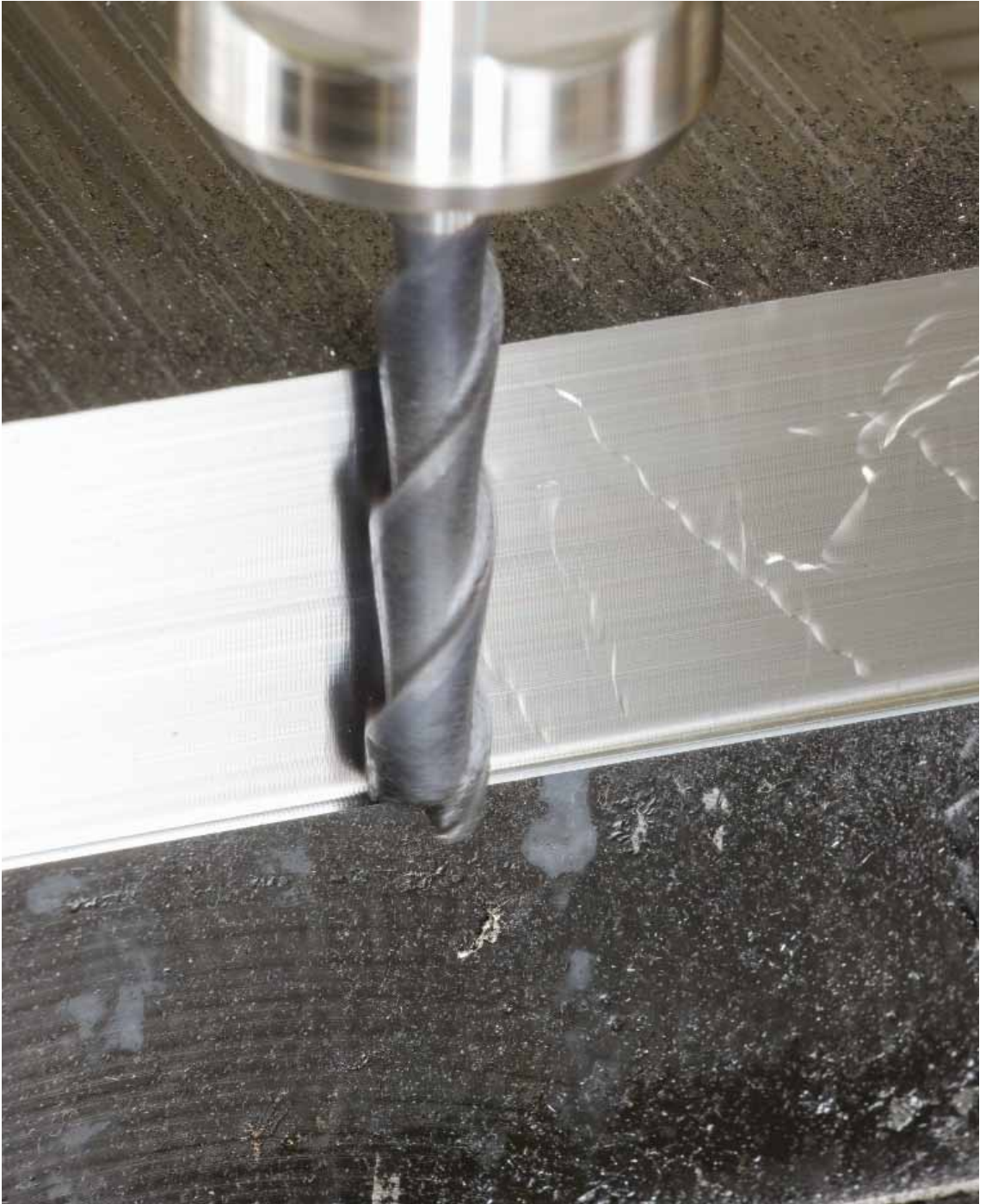
f_z = mm

a_p (mm)/ D_c (mm) = factor

a_e (mm)/ D_c (mm) = factor

All cutting data are target values

JS520 long flute finisher, with its special geometry designed to machine high shoulders with excellent surface finish and perpendicularity.



JS522 - Solid carbide end mill - cylindrical - long flute finisher - polished coating - inch - two flute - corner radius



Tolerances:

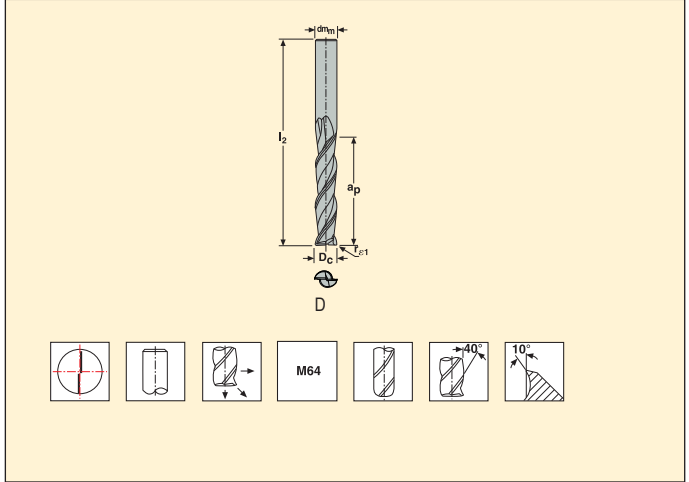
Run-out < Ø.312 - .500 <0.004, Ø.625 - Ø1.250 <0.008

dm_m=h5

D_c=-.0008 / -.0015

r_{e1}=.004+/-0.004 r_{e1}=.015+/-0.0012 r_{e1}=.125+/-0.002

r_{e1}=.250 +/-0.002



Part No.	Length index	Tool shape	Dimensions in inch					z _n	Cylindrical
			D _c	dm _m	a _p	l ₂	r _{e1}		
JS522.250D4R.004.0Z2-M64	4	D	.250	.250	1.250	3.000	.004	2	■
JS522.312D4R.004.0Z2-M64	4	D	.312	.312	1.500	3.250	.004	2	■
JS522.375D4R.004.0Z2-M64	4	D	.375	.375	1.875	4.000	.004	2	■
JS522.500D4R.004.0Z2-M64	4	D	.500	.500	2.500	5.000	.004	2	■
JS522.625D4R.015.0Z2-M64	4	D	.625	.625	3.125	6.000	.015	2	■
JS522.750D4R.015.0Z2-M64	4	D	.750	.750	3.750	7.000	.015	2	■
JS522.750D4R.125.0Z2-M64	4	D	.750	.750	3.750	7.000	.125	2	■
JS522.750D4R.250.0Z2-M64	4	D	.750	.750	3.750	7.000	.250	2	■
JS5221.00D4R.015.0Z2-M64	4	D	1.000	1.000	5.000	8.000	.015	2	■
JS5221.00D4R.125.0Z2-M64	4	D	1.000	1.000	5.000	8.000	.125	2	■
JS5221.00D4R.250.0Z2-M64	4	D	1.000	1.000	5.000	8.000	.250	2	■
JS5221.25D4R.015.0Z2-M64	4	D	1.250	1.250	6.250	9.500	.015	2	■
JS5221.25D4R.125.0Z2-M64	4	D	1.250	1.250	6.250	9.500	.125	2	■
JS5221.25D4R.250.0Z2-M64	4	D	1.250	1.250	6.250	9.500	.250	2	■

■ Stock standard. Subject to change refer to current price-and stock-list.

Cutting data – JS522 Side milling finishing $a_e/D_c=0,02$

SMG		a_p / D_c	f_z								v_c
			6	8	10	12	16	20	25	32	
P1	E/M/A	4,0	0,060	0,080	0,10	0,12	0,16	0,20	0,22	0,26	225 (195 – 260)
P2	E/M/A	4,0	0,060	0,080	0,10	0,12	0,16	0,20	0,22	0,26	220 (190 – 255)
P3	E/M/A	4,0	0,060	0,080	0,10	0,12	0,16	0,19	0,22	0,24	190 (165 – 220)
P4	E/M/A	4,0	0,060	0,080	0,10	0,12	0,16	0,19	0,22	0,24	170 (145 – 190)
P5	E/M/A	4,0	0,060	0,080	0,10	0,12	0,16	0,18	0,20	0,24	160 (135 – 185)
P6	E/M/A	4,0	0,060	0,080	0,10	0,12	0,16	0,18	0,20	0,24	180 (155 – 205)
P7	E/M/A	4,0	0,060	0,080	0,10	0,12	0,16	0,18	0,20	0,24	170 (145 – 195)
P8	E/M/A	4,0	0,060	0,080	0,10	0,12	0,16	0,19	0,22	0,24	160 (135 – 185)
P11	E/M/A	4,0	0,060	0,080	0,10	0,12	0,16	0,18	0,20	0,24	165 (140 – 190)
M1	E/M/A	4,0	0,030	0,040	0,050	0,060	0,080	0,10	0,12	0,16	135 (105 – 170)
M2	E/M/A	4,0	0,030	0,040	0,050	0,060	0,080	0,10	0,12	0,16	110 (85 – 135)
M3	E/M/A	4,0	0,030	0,040	0,050	0,060	0,080	0,10	0,12	0,14	85 (65 – 105)
M4	E/M/A	4,0	0,030	0,040	0,050	0,060	0,080	0,095	0,10	0,12	65 (49 – 80)
M5	E/M/A	4,0	0,030	0,040	0,050	0,060	0,080	0,095	0,10	0,12	55 (41 – 65)
K1	E/M/A	4,0	0,060	0,080	0,10	0,12	0,16	0,20	0,22	0,26	135 (115 – 160)
K2	E/M/A	4,0	0,060	0,080	0,10	0,12	0,16	0,18	0,20	0,24	120 (100 – 140)
K3	E/M/A	4,0	0,060	0,080	0,10	0,12	0,16	0,18	0,20	0,24	100 (85 – 115)
K4	E/M/A	4,0	0,060	0,080	0,10	0,12	0,16	0,18	0,20	0,24	95 (80 – 110)
K5	E/M/A	4,0	0,060	0,080	0,10	0,12	0,14	0,17	0,19	0,20	55 (48 – 65)
K6	E/M/A	4,0	0,060	0,080	0,10	0,12	0,16	0,18	0,20	0,24	85 (70 – 100)
K7	E/M/A	4,0	0,060	0,080	0,10	0,12	0,14	0,17	0,19	0,20	75 (60 – 85)
N1	E/M/A	4,0	0,060	0,080	0,10	0,12	0,16	0,20	0,24	0,32	530 (355 – 710)
N2	E/M/A	4,0	0,060	0,080	0,10	0,12	0,16	0,20	0,24	0,32	345 (230 – 460)
N3	E/M/A	4,0	0,060	0,080	0,10	0,12	0,16	0,20	0,24	0,32	230 (155 – 305)
N11	E/M/A	4,0	0,060	0,080	0,10	0,12	0,16	0,20	0,24	0,32	345 (285 – 400)
S1	E/M/A	4,0	0,030	0,040	0,050	0,060	0,080	0,10	0,12	0,16	55 (43 – 65)
S2	E/M/A	4,0	0,030	0,040	0,050	0,060	0,080	0,10	0,12	0,16	55 (43 – 65)
S3	E/M/A	4,0	0,030	0,040	0,050	0,060	0,080	0,10	0,12	0,16	43 (32 – 43)
S11	E/M/A	4,0	0,050	0,070	0,085	0,10	0,13	0,15	0,17	0,19	150 (120 – 180)
S12	E/M/A	4,0	0,050	0,070	0,085	0,10	0,13	0,15	0,17	0,19	115 (95 – 140)
S13	E/M/A	4,0	0,046	0,060	0,075	0,090	0,11	0,13	0,14	0,16	90 (75 – 110)
TS1	A/D	4,0	0,060	0,080	0,10	0,12	0,16	0,18	0,20	0,24	1150 (1025 – 1250)
TP1	A/D	4,0	0,060	0,080	0,10	0,12	0,16	0,18	0,20	0,24	570 (460 – 690)
GR1	A/D	4,0	0,060	0,080	0,10	0,12	0,16	0,18	0,20	0,24	1150 (1025 – 1250)

SMG = Seco material group

Coolant = A=air D=dry E=emulsion M=mist spray

v_c = m/min

f_z = mm

a_p (mm)/ D_c (mm)= factor

a_e (mm)/ D_c (mm)= factor

All cutting data are target values

Cutting data – JS522 Side milling semi finishing $a_p/D_c = 0,05$

SMG		a_p / D_c	f_z								v_c
			6	8	10	12	16	20	25	32	
P1	E/M/A	4,0	0,044	0,060	0,075	0,090	0,11	0,13	0,14	0,16	200 (170 – 225)
P2	E/M/A	4,0	0,046	0,060	0,075	0,090	0,11	0,13	0,14	0,16	195 (165 – 220)
P3	E/M/A	4,0	0,042	0,055	0,070	0,085	0,10	0,12	0,14	0,15	165 (145 – 190)
P4	E/M/A	4,0	0,042	0,055	0,070	0,085	0,10	0,12	0,13	0,15	145 (125 – 170)
P5	E/M/A	4,0	0,042	0,055	0,070	0,080	0,10	0,12	0,13	0,15	140 (120 – 160)
P6	E/M/A	4,0	0,040	0,055	0,070	0,080	0,10	0,11	0,13	0,15	160 (135 – 180)
P7	E/M/A	4,0	0,040	0,055	0,070	0,080	0,10	0,11	0,13	0,15	150 (130 – 170)
P8	E/M/A	4,0	0,042	0,055	0,070	0,085	0,10	0,12	0,14	0,15	140 (120 – 160)
P11	E/M/A	4,0	0,040	0,055	0,070	0,080	0,10	0,11	0,13	0,15	145 (125 – 165)
M1	E/M/A	4,0	0,030	0,040	0,050	0,060	0,080	0,095	0,11	0,12	115 (90 – 145)
M2	E/M/A	4,0	0,030	0,040	0,050	0,060	0,075	0,085	0,095	0,11	95 (75 – 115)
M3	E/M/A	4,0	0,024	0,032	0,040	0,048	0,060	0,070	0,075	0,085	75 (55 – 90)
M4	E/M/A	4,0	0,020	0,028	0,034	0,040	0,050	0,060	0,065	0,075	55 (44 – 70)
M5	E/M/A	4,0	0,020	0,028	0,034	0,040	0,050	0,060	0,065	0,075	47 (36 – 55)
K1	E/M/A	4,0	0,046	0,060	0,075	0,090	0,11	0,13	0,14	0,16	120 (100 – 140)
K2	E/M/A	4,0	0,042	0,055	0,070	0,080	0,10	0,12	0,13	0,15	105 (85 – 120)
K3	E/M/A	4,0	0,042	0,055	0,070	0,080	0,10	0,12	0,13	0,15	90 (75 – 105)
K4	E/M/A	4,0	0,042	0,055	0,070	0,080	0,10	0,12	0,13	0,15	85 (70 – 100)
K5	E/M/A	4,0	0,038	0,050	0,060	0,075	0,090	0,10	0,12	0,13	50 (43 – 60)
K6	E/M/A	4,0	0,042	0,055	0,070	0,080	0,10	0,12	0,13	0,15	75 (60 – 85)
K7	E/M/A	4,0	0,038	0,050	0,060	0,075	0,090	0,10	0,12	0,13	65 (55 – 75)
N1	E/M/A	4,0	0,060	0,075	0,095	0,11	0,14	0,16	0,18	0,20	445 (300 – 600)
N2	E/M/A	4,0	0,060	0,075	0,095	0,11	0,14	0,16	0,18	0,20	285 (190 – 385)
N3	E/M/A	4,0	0,060	0,075	0,095	0,11	0,14	0,16	0,18	0,20	190 (130 – 255)
N11	E/M/A	4,0	0,060	0,075	0,095	0,11	0,14	0,16	0,18	0,20	285 (240 – 335)
S11	E/M/A	4,0	0,032	0,044	0,055	0,065	0,080	0,095	0,10	0,12	135 (110 – 160)
S12	E/M/A	4,0	0,032	0,044	0,055	0,065	0,080	0,095	0,10	0,12	105 (85 – 125)
S13	E/M/A	4,0	0,028	0,038	0,048	0,055	0,070	0,080	0,090	0,10	80 (65 – 100)
TS1	A/D	4,0	0,042	0,055	0,070	0,080	0,10	0,12	0,13	0,15	1000 (900 – 1100)
TP1	A/D	4,0	0,042	0,055	0,070	0,080	0,10	0,12	0,13	0,15	500 (400 – 600)
GR1	A/D	4,0	0,042	0,055	0,070	0,080	0,10	0,12	0,13	0,15	1000 (900 – 1100)

SMG = Seco material group

Coolant = A=air D=dry E=emulsion M=mist spray

v_c = m/min

f_z = mm

a_p (mm)/ D_c (mm)= factor

a_s (mm)/ D_c (mm)= factor

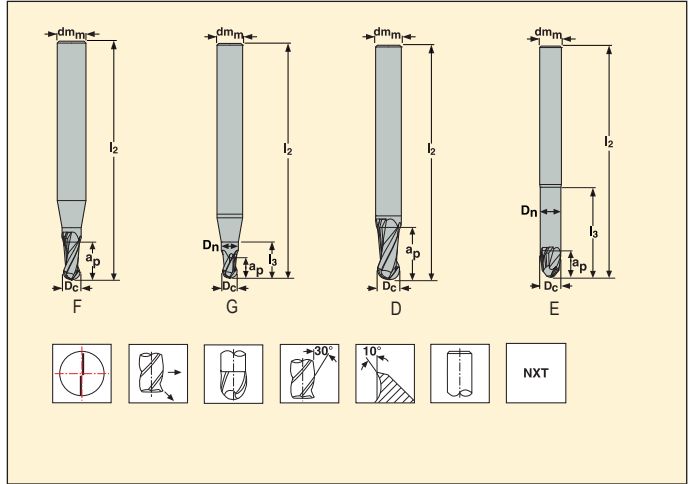
All cutting data are target values



JS532 – Solid carbide end mill – cylindrical – ball nose – two flute



Tolerances:
 $dm_m = h5$
 $D_c = e8$
 $r_{e1} = +/- 0,01 \text{ mm}$



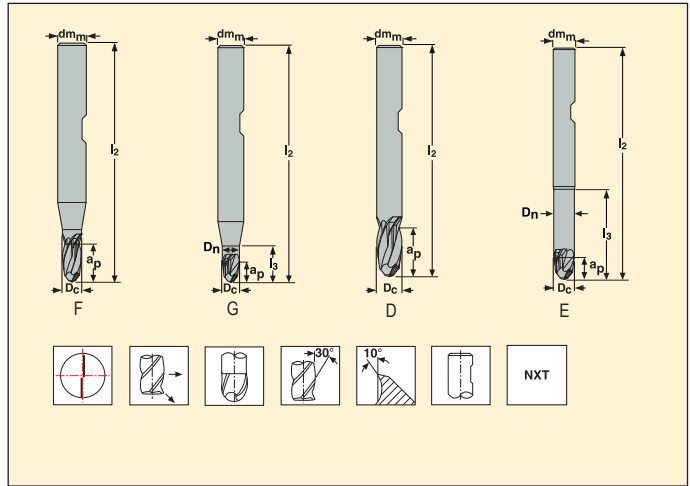
Part No.	Length index	Tool shape	Dimensions in mm							r_{e1}	z_n	Cylindrical
			D_c	dm_m	a_p	l_2	l_3	D_n				
JS532010F1B.0Z2-NXT	1	F	1	3	2	38	-	-	0,5	2	■	
JS532015F1B.0Z2-NXT	1	F	1,5	3	3	38	-	-	0,75	2	■	
JS532020F1B.0Z2-NXT	1	F	2	3	4	38	-	-	1	2	■	
JS532025F1B.0Z2-NXT	1	F	2,5	3	5	38	-	-	1,25	2	■	
JS532030D1B.0Z2-NXT	1	D	3	3	6	38	-	-	1,5	2	■	
JS532035F1B.0Z2-NXT	1	F	3,5	6	7	57	-	-	1,75	2	■	
JS532040F1B.0Z2-NXT	1	F	4	6	8	57	-	-	2	2	■	
JS532045F1B.0Z2-NXT	1	F	4,5	6	9	57	-	-	2,25	2	■	
JS532050F1B.0Z2-NXT	1	F	5	6	10	57	-	-	2,5	2	■	
JS532060D1B.0Z2-NXT	1	D	6	6	12	57	-	-	3	2	■	
JS532080D1B.0Z2-NXT	1	D	8	8	16	63	-	-	4	2	■	
JS532100D1B.0Z2-NXT	1	D	10	10	20	72	-	-	5	2	■	
JS532120D1B.0Z2-NXT	1	D	12	12	24	83	-	-	6	2	■	
JS532160D1B.0Z2-NXT	1	D	16	16	32	92	-	-	8	2	■	
JS532200D1B.0Z2-NXT	1	D	20	20	40	104	-	-	10	2	■	
JS532020G2B.0Z2-NXT	2	G	2	3	2	38	8	1,9	1	2	■	
JS532025G2B.0Z2-NXT	2	G	2,5	3	2,5	38	8	2,4	1,25	2	■	
JS532030E2B.0Z2-NXT	2	E	3	3	3	38	10	2,85	1,5	2	■	
JS532040G2B.0Z2-NXT	2	G	4	6	4	57	15	3,8	2	2	■	
JS532050G2B.0Z2-NXT	2	G	5	6	5	57	17	4,8	2,5	2	■	
JS532060E2B.0Z2-NXT	2	E	6	6	6	63	25	5,7	3	2	■	
JS532080E2B.0Z2-NXT	2	E	8	8	8	80	40	7,6	4	2	■	
JS532100E2B.0Z2-NXT	2	E	10	10	10	82	40	9,5	5	2	■	
JS532120E2B.0Z2-NXT	2	E	12	12	12	100	50	11,4	6	2	■	
JS532160E2B.0Z2-NXT	2	E	16	16	16	125	72	15,2	8	2	■	
JS532030E3B.0Z2-NXT	3	E	3	3	3	52	20	2,85	1,5	2	■	
JS532040G3B.0Z2-NXT	3	G	4	6	4	63	24	3,8	2	2	■	
JS532050G3B.0Z2-NXT	3	G	5	6	5	75	35	4,8	2,5	2	■	
JS532060E3B.0Z2-NXT	3	E	6	6	6	80	42	5,7	3	2	■	
JS532080E3B.0Z2-NXT	3	E	8	8	8	100	60	7,6	4	2	■	
JS532100E3B.0Z2-NXT	3	E	10	10	10	125	80	9,5	5	2	■	
JS532120E3B.0Z2-NXT	3	E	12	12	12	125	75	11,4	6	2	■	
JS532160E3B.0Z2-NXT	3	E	16	16	16	150	100	15,2	8	2	■	

■ Stock standard. Subject to change refer to current price-and stock-list.

JS532 – Solid carbide end mill – Weldon – ball nose – two flute



Tolerances:
 $dm_m = h5$
 $D_c = e8$
 $r_{e1} = \pm 0,01 \text{ mm}$



Part No.	Length index	Tool shape	Dimensions in mm						r_{e1}	z_n	Weldon
			D_c	dm_m	a_p	l_2	l_3	D_n			
JS532035F1B.3Z2-NXT	1	F	3,5	6	7	57	–	–	1,75	2	<input type="checkbox"/>
JS532040F1B.3Z2-NXT	1	F	4	6	8	57	–	–	2	2	<input type="checkbox"/>
JS532045F1B.3Z2-NXT	1	F	4,5	6	9	57	–	–	2,25	2	<input type="checkbox"/>
JS532050F1B.3Z2-NXT	1	F	5	6	10	57	–	–	2,5	2	<input type="checkbox"/>
JS532060D1B.3Z2-NXT	1	D	6	6	12	57	–	–	3	2	<input type="checkbox"/>
JS532080D1B.3Z2-NXT	1	D	8	8	16	63	–	–	4	2	<input type="checkbox"/>
JS532100D1B.3Z2-NXT	1	D	10	10	20	72	–	–	5	2	<input type="checkbox"/>
JS532120D1B.3Z2-NXT	1	D	12	12	24	83	–	–	6	2	<input type="checkbox"/>
JS532160D1B.3Z2-NXT	1	D	16	16	32	92	–	–	8	2	<input type="checkbox"/>
JS532200D1B.3Z2-NXT	1	D	20	20	40	104	–	–	10	2	<input type="checkbox"/>
JS532040G2B.3Z2-NXT	2	G	4	6	4	57	15	3,8	2	2	<input type="checkbox"/>
JS532050G2B.3Z2-NXT	2	G	5	6	5	57	15	4,8	2,5	2	<input type="checkbox"/>
JS532060E2B.3Z2-NXT	2	E	6	6	6	63	25	5,7	3	2	<input type="checkbox"/>
JS532080E2B.3Z2-NXT	2	E	8	8	8	80	40	7,6	4	2	<input type="checkbox"/>
JS532100E2B.3Z2-NXT	2	E	10	10	10	82	40	9,5	5	2	<input type="checkbox"/>
JS532120E2B.3Z2-NXT	2	E	12	12	12	100	50	11,4	6	2	<input type="checkbox"/>
JS532160E2B.3Z2-NXT	2	E	16	16	16	125	70	15,2	8	2	<input type="checkbox"/>
JS532040G3B.3Z2-NXT	3	G	4	6	4	63	24	3,8	2	2	<input type="checkbox"/>
JS532050G3B.3Z2-NXT	3	G	5	6	5	75	35	4,8	2,5	2	<input type="checkbox"/>
JS532060E3B.3Z2-NXT	3	E	6	6	6	80	42	5,7	3	2	<input type="checkbox"/>
JS532080E3B.3Z2-NXT	3	E	8	8	2	100	60	7,6	4	2	<input type="checkbox"/>
JS532100E3B.3Z2-NXT	3	E	10	10	10	126	80	9,5	5	2	<input type="checkbox"/>
JS532120E3B.3Z2-NXT	3	E	12	12	12	125	75	11,4	6	2	<input type="checkbox"/>
JS532160E3B.3Z2-NXT	3	E	16	16	16	150	100	15,2	8	2	<input type="checkbox"/>

Weldon available, delivery time is 3 days.

JS532 – Solid carbide end mill – cylindrical – ball nose – two flute – inch

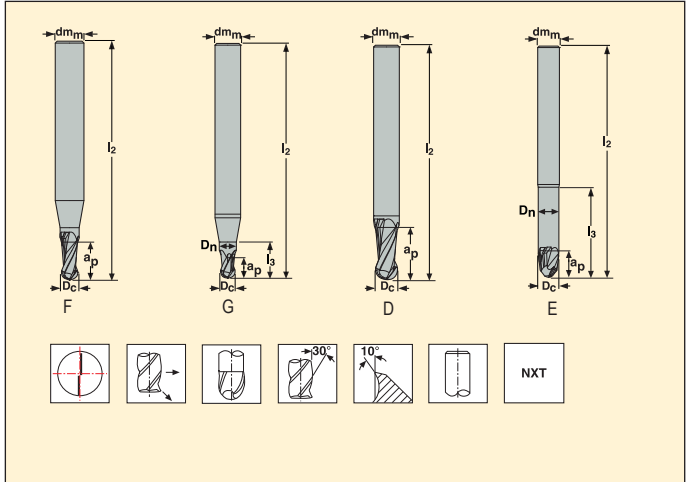


Tolerances:

$dm_m = h5$

$D_c = e8$

$r_{e1} = +/- .0004$



Part No.	Length index	Tool shape	Dimensions in inch							r_{e1}	z_n	Cylindrical
			D_c	dm_m	a_p	l_2	l_3	D_n				
JS532.031F1B.0Z2-NXT	1	F	.031	.125	.062	1.500	–	–	.015	2	■	
JS532.062F1B.0Z2-NXT	1	F	.063	.125	.125	1.500	–	–	.031	2	■	
JS532.125D1B.0Z2-NXT	1	D	.125	.125	.250	1.500	–	–	.063	2	■	
JS532.187D1B.0Z2-NXT	1	D	.188	.188	.375	2.000	–	–	.094	2	■	
JS532.250D1B.0Z2-NXT	1	D	.250	.250	.500	2.000	–	–	.125	2	■	
JS532.312D1B.0Z2-NXT	1	D	.313	.313	.625	2.500	–	–	.156	2	■	
JS532.375D1B.0Z2-NXT	1	D	.375	.375	.750	3.000	–	–	.188	2	■	
JS532.500D1B.0Z2-NXT	1	D	.500	.500	1.000	4.000	–	–	.250	2	■	
JS532.625D1B.0Z2-NXT	1	D	.625	.625	1.250	4.000	–	–	.313	2	■	
JS532.750D1B.0Z2-NXT	1	D	.750	.750	1.500	5.000	–	–	.375	2	■	
JS532.062G2B.0Z2-NXT	2	G	.063	.125	.063	1.500	.315	.059	.031	2	■	
JS532.125E2B.0Z2-NXT	2	E	.125	.125	.125	1.500	.394	.117	.063	2	■	
JS532.187E2B.0Z2-NXT	2	E	.188	.188	.188	2.000	.787	.180	.094	2	■	
JS532.250E2B.0Z2-NXT	2	E	.250	.250	.250	2.000	.866	.234	.125	2	■	
JS532.375E2B.0Z2-NXT	2	E	.375	.375	.375	3.500	1.772	.355	.188	2	■	
JS532.500E2B.0Z2-NXT	2	E	.500	.500	.500	4.000	1.969	.476	.250	2	■	
JS532.625E2B.0Z2-NXT	2	E	.625	.625	.625	5.000	2.953	.594	.313	2	■	
JS532.750E2B.0Z2-NXT	2	E	.750	.750	.750	6.000	3.740	.726	.375	2	■	
JS532.125E3B.0Z2-NXT	3	E	.125	.125	.125	2.000	.787	.117	.063	2	■	
JS532.250E3B.0Z2-NXT	3	E	.250	.250	.250	3.000	1.772	.234	.125	2	■	
JS532.375E3B.0Z2-NXT	3	E	.375	.375	.375	4.000	2.362	.355	.188	2	■	
JS532.500E3B.0Z2-NXT	3	E	.500	.500	.500	5.000	2.953	.476	.250	2	■	

■ Stock standard. Subject to change refer to current price-and stock-list.

Cutting data – JS532 Copy milling roughing $a_p/D_c = 0,3$

SMG		a_p / D_c	f_z											v_c
			1	2	3	4	5	6	8	10	12	16	20	
P1	M/A/D/E	0,30	0,0030	0,0065	0,010	0,015	0,020	0,026	0,034	0,042	0,050	0,065	0,070	285 (245 – 320)
P2	M/A/D/E	0,30	0,0032	0,0065	0,010	0,015	0,020	0,026	0,034	0,044	0,050	0,065	0,075	275 (240 – 315)
P3	M/A/D/E	0,30	0,0030	0,0060	0,010	0,014	0,019	0,024	0,032	0,042	0,048	0,060	0,070	240 (205 – 270)
P4	M/A/D/E	0,30	0,0028	0,0060	0,0095	0,014	0,019	0,024	0,032	0,040	0,048	0,060	0,070	210 (185 – 240)
P5	M/A/D/E	0,30	0,0028	0,0060	0,0095	0,013	0,018	0,024	0,032	0,040	0,046	0,060	0,065	200 (175 – 230)
P6	M/A/D/E	0,30	0,0028	0,0060	0,0095	0,013	0,018	0,024	0,032	0,040	0,046	0,060	0,065	225 (195 – 255)
P7	M/A/D/E	0,30	0,0028	0,0060	0,0095	0,013	0,018	0,024	0,032	0,040	0,046	0,060	0,065	215 (185 – 240)
P8	M/A/D/E	0,30	0,0030	0,0060	0,010	0,014	0,019	0,024	0,032	0,042	0,048	0,060	0,070	200 (175 – 225)
P11	M/A/D/E	0,30	0,0028	0,0060	0,0095	0,013	0,018	0,024	0,032	0,040	0,046	0,060	0,065	210 (180 – 235)
K1	E	0,30	0,0028	0,0060	0,0095	0,014	0,019	0,024	0,032	0,040	0,048	0,060	0,070	270 (240 – 300)
K2	E	0,30	0,0026	0,0055	0,0085	0,012	0,017	0,022	0,030	0,036	0,044	0,055	0,060	235 (210 – 260)
K3	E	0,30	0,0026	0,0055	0,0085	0,012	0,017	0,022	0,030	0,036	0,044	0,055	0,060	200 (180 – 220)
N1	E	0,40	0,0044	0,0090	0,014	0,020	0,026	0,032	0,050	0,060	0,075	0,090	0,11	1300 (1100 – 1525)
N2	E	0,40	0,0044	0,0090	0,014	0,020	0,026	0,032	0,050	0,060	0,075	0,090	0,11	840 (700 – 980)
N3	E	0,40	0,0044	0,0090	0,014	0,020	0,026	0,032	0,050	0,060	0,075	0,090	0,11	560 (470 – 660)
N11	E	0,40	0,0028	0,0060	0,0090	0,013	0,017	0,022	0,032	0,040	0,048	0,060	0,070	560 (490 – 630)
S11	E	0,30	0,0028	0,0060	0,0095	0,014	0,019	0,024	0,032	0,040	0,048	0,060	0,070	145 (125 – 160)
S12	E	0,30	0,0028	0,0060	0,0095	0,014	0,019	0,024	0,032	0,040	0,048	0,060	0,070	110 (95 – 125)
S13	E	0,30	0,0026	0,0055	0,0085	0,012	0,016	0,022	0,028	0,036	0,042	0,050	0,060	85 (75 – 100)
TS1	A	0,50	0,0044	0,0090	0,014	0,019	0,024	0,030	0,044	0,060	0,075	0,090	0,11	990 (910 – 1075)
TP1	A	0,50	0,0044	0,0090	0,014	0,019	0,024	0,030	0,044	0,060	0,075	0,090	0,11	830 (750 – 910)
GR1	A	0,50	0,0044	0,0090	0,014	0,019	0,024	0,030	0,044	0,060	0,075	0,090	0,11	990 (830 – 1150)

Cutting data – JS532 Copy milling roughing $a_p/D_c = 0,15$

SMG		a_p / D_c	f_z											v_c
			1	2	3	4	5	6	8	10	12	16	20	
M1	E	0,40	0,0040	0,0080	0,013	0,018	0,024	0,030	0,044	0,055	0,065	0,080	0,095	200 (160 – 235)
M2	E	0,40	0,0036	0,0075	0,012	0,016	0,022	0,028	0,040	0,050	0,060	0,075	0,085	160 (130 – 190)
M3	E	0,20	0,0030	0,0065	0,011	0,016	0,020	0,024	0,032	0,040	0,048	0,060	0,070	130 (105 – 150)
M4	E	0,20	0,0026	0,0055	0,0095	0,014	0,017	0,020	0,028	0,034	0,042	0,050	0,060	95 (80 – 115)
M5	E	0,20	0,0026	0,0055	0,0095	0,014	0,017	0,020	0,028	0,034	0,042	0,050	0,060	80 (65 – 95)
K4	E	0,20	0,0030	0,0065	0,011	0,016	0,020	0,024	0,032	0,040	0,048	0,060	0,070	215 (190 – 240)
K5	E	0,20	0,0026	0,0055	0,0095	0,014	0,018	0,022	0,028	0,036	0,042	0,055	0,060	130 (115 – 140)
K6	E	0,20	0,0030	0,0065	0,011	0,016	0,020	0,024	0,032	0,040	0,048	0,060	0,070	190 (170 – 210)
K7	E	0,20	0,0026	0,0055	0,0095	0,014	0,018	0,022	0,028	0,036	0,042	0,055	0,060	165 (145 – 180)
S1	E	0,20	0,0022	0,0048	0,0080	0,012	0,015	0,018	0,024	0,030	0,036	0,044	0,050	85 (70 – 95)
S2	E	0,20	0,0022	0,0048	0,0080	0,012	0,015	0,018	0,024	0,030	0,036	0,044	0,050	85 (70 – 95)
S3	E	0,15	0,0015	0,0034	0,0060	0,0080	0,010	0,012	0,016	0,020	0,024	0,030	0,034	40 (26 – 55)

SMG = Seco material group

Coolant = A=air D=dry E=emulsion M=mist spray

v_c = m/min

f_z = mm

a_p (mm)/ D_c (mm)= factor

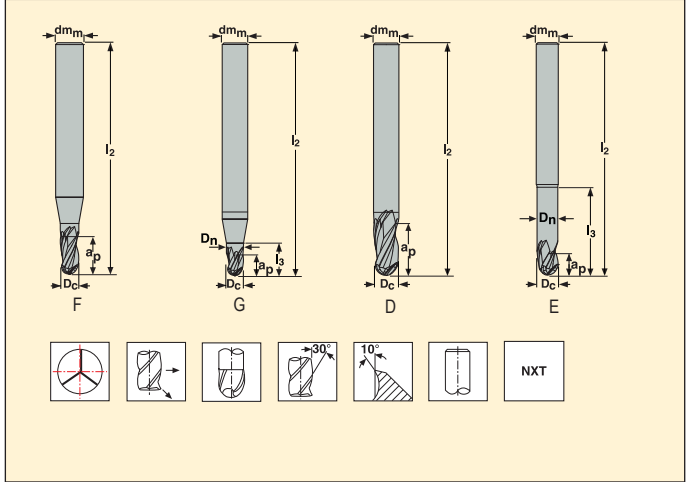
a_e (mm)/ D_c (mm)= factor

All cutting data are target values

JS533 – Solid carbide end mill – cylindrical – ball nose – three flute



Tolerances:
 $dm_m = h5$
 $D_c = e8$
 $r_{\epsilon1} = +/-0,01 \text{ mm}$



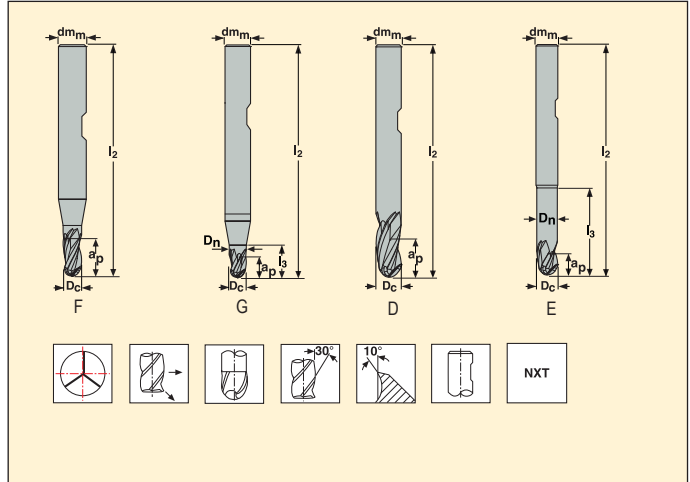
Part No.	Length index	Tool shape	Dimensions in mm						$r_{\epsilon1}$	z_n	Cylindrical
			D_c	dm_m	a_p	l_2	l_3	D_n			
JS533010F1B.0Z3-NXT	1	F	1	3	2	38	–	–	0,5	3	■
JS533015F1B.0Z3-NXT	1	F	1,5	3	3	38	–	–	0,75	3	■
JS533020F1B.0Z3-NXT	1	F	2	3	4	38	–	–	1	3	■
JS533030D1B.0Z3-NXT	1	D	3	3	6	38	–	–	1,5	3	■
JS533040F1B.0Z3-NXT	1	F	4	6	8	57	–	–	2	3	■
JS533050F1B.0Z3-NXT	1	F	5	6	10	57	–	–	2,5	3	■
JS533060D1B.0Z3-NXT	1	D	6	6	12	57	–	–	3	3	■
JS533080D1B.0Z3-NXT	1	D	8	8	16	63	–	–	4	3	■
JS533100D1B.0Z3-NXT	1	D	10	10	20	72	–	–	5	3	■
JS533120D1B.0Z3-NXT	1	D	12	12	24	83	–	–	6	3	■
JS533160D1B.0Z3-NXT	1	D	16	16	32	110	–	–	8	3	■
JS533200D1B.0Z3-NXT	1	D	20	20	40	125	–	–	10	3	■
JS533020G2B.0Z3-NXT	2	G	2	3	2	38	7	2	1	3	■
JS533030E2B.0Z3-NXT	2	E	3	3	3	38	9	3	1,5	3	■
JS533040G2B.0Z3-NXT	2	G	4	6	4	57	15	3,8	2	3	■
JS533050G2B.0Z3-NXT	2	G	5	6	5	57	15	4,8	2,5	3	■
JS533060E2B.0Z3-NXT	2	E	6	6	6	63	25	5,7	3	3	■
JS533080E2B.0Z3-NXT	2	E	8	8	8	80	35	7,6	4	3	■
JS533100E2B.0Z3-NXT	2	E	10	10	10	89	40	9,5	5	3	■
JS533120E2B.0Z3-NXT	2	E	12	12	12	100	50	11,4	6	3	■
JS533160E2B.0Z3-NXT	2	E	16	16	16	125	70	15,2	8	3	■

■ Stock standard. Subject to change refer to current price-and stock-list.

JS533 - Solid carbide end mill - Weldon - ball nose - three flute



Tolerances:
 $dm_m = h5$
 $D_c = e8$
 $r_{e1} = \pm 0,01 \text{ mm}$



Part No.	Length index	Tool shape	Dimensions in mm						r_{e1}	z_n	Weldon
			D_c	dm_m	a_p	l_2	l_3	D_n			
JS533040F1B.3Z3-NXT	1	F	4	6	8	57	-	-	2	3	<input type="checkbox"/>
JS533050F1B.3Z3-NXT	1	F	5	6	10	57	-	-	2,5	3	<input type="checkbox"/>
JS533060D1B.3Z3-NXT	1	D	6	6	12	57	-	-	3	3	<input type="checkbox"/>
JS533080D1B.3Z3-NXT	1	D	8	8	16	63	-	-	4	3	<input type="checkbox"/>
JS533100D1B.3Z3-NXT	1	D	10	10	20	72	-	-	5	3	<input type="checkbox"/>
JS533120D1B.3Z3-NXT	1	D	12	12	24	83	-	-	6	3	<input type="checkbox"/>
JS533160D1B.3Z3-NXT	1	D	16	16	32	109	-	-	8	3	<input type="checkbox"/>
JS533200D1B.3Z3-NXT	1	D	20	20	40	125	-	-	10	3	<input type="checkbox"/>
JS533040G2B.3Z3-NXT	2	G	4	6	4	57	15	3,8	2	3	<input type="checkbox"/>
JS533050G2B.3Z3-NXT	2	G	5	6	5	57	15	4,8	2,5	3	<input type="checkbox"/>
JS533060E2B.3Z3-NXT	2	E	6	6	6	63	25	5,7	3	3	<input type="checkbox"/>
JS533080E2B.3Z3-NXT	2	E	8	8	8	80	35	7,6	4	3	<input type="checkbox"/>
JS533100E2B.3Z3-NXT	2	E	10	10	10	89	40	9,5	5	3	<input type="checkbox"/>
JS533120E2B.3Z3-NXT	2	E	12	12	12	100	50	11,4	6	3	<input type="checkbox"/>
JS533160E2B.3Z3-NXT	2	E	16	16	16	125	70	15,2	8	3	<input type="checkbox"/>

Weldon available, delivery time is 3 days.

Cutting data – JS533 Copy milling roughing $a_e/D_c = 0,3$

SMG		a_p / D_c	f_z										v_c	
			1	2	3	4	5	6	8	10	12	16		20
P1	M/A/D/E	0,20	0,0034	0,0070	0,011	0,015	0,020	0,024	0,032	0,040	0,048	0,065	0,080	310 (270 — 355)
P2	M/A/D/E	0,20	0,0036	0,0070	0,011	0,016	0,020	0,024	0,032	0,040	0,048	0,065	0,080	305 (265 — 345)
P3	M/A/D/E	0,20	0,0034	0,0070	0,011	0,015	0,020	0,024	0,032	0,040	0,048	0,065	0,080	260 (225 — 295)
P4	M/A/D/E	0,20	0,0032	0,0065	0,010	0,015	0,019	0,024	0,032	0,040	0,048	0,065	0,080	230 (200 — 260)
P5	M/A/D/E	0,20	0,0032	0,0065	0,010	0,014	0,019	0,024	0,032	0,040	0,048	0,065	0,075	220 (190 — 250)
P6	M/A/D/E	0,20	0,0032	0,0065	0,010	0,014	0,019	0,024	0,032	0,040	0,048	0,065	0,075	250 (215 — 280)
P7	M/A/D/E	0,20	0,0032	0,0065	0,010	0,014	0,019	0,024	0,032	0,040	0,048	0,065	0,075	235 (205 — 265)
P8	M/A/D/E	0,20	0,0034	0,0070	0,011	0,015	0,020	0,024	0,032	0,040	0,048	0,065	0,080	220 (190 — 250)
P11	M/A/D/E	0,20	0,0032	0,0065	0,010	0,014	0,019	0,024	0,032	0,040	0,048	0,065	0,075	225 (195 — 260)
M1	E	0,15	0,0036	0,0075	0,012	0,016	0,020	0,024	0,032	0,040	0,048	0,065	0,080	200 (165 — 235)
M2	E	0,15	0,0032	0,0065	0,011	0,015	0,020	0,024	0,032	0,040	0,048	0,065	0,075	165 (135 — 190)
M3	E	0,15	0,0032	0,0065	0,011	0,015	0,020	0,024	0,032	0,040	0,048	0,065	0,075	125 (100 — 145)
M4	E	0,15	0,0028	0,0060	0,0095	0,013	0,018	0,024	0,032	0,040	0,046	0,060	0,065	95 (75 — 110)
M5	E	0,15	0,0028	0,0060	0,0095	0,013	0,018	0,024	0,032	0,040	0,046	0,060	0,065	80 (65 — 95)
K1	E	0,30	0,0024	0,0048	0,0070	0,010	0,013	0,016	0,022	0,030	0,040	0,048	0,055	300 (270 — 330)
K2	E	0,30	0,0022	0,0042	0,0065	0,0090	0,011	0,014	0,020	0,028	0,036	0,044	0,050	265 (235 — 290)
K3	E	0,30	0,0022	0,0042	0,0065	0,0090	0,011	0,014	0,020	0,028	0,036	0,044	0,050	225 (200 — 245)
K4	E	0,30	0,0022	0,0042	0,0065	0,0090	0,011	0,014	0,020	0,028	0,036	0,044	0,050	210 (190 — 235)
K5	E	0,30	0,0019	0,0038	0,0060	0,0080	0,010	0,013	0,018	0,024	0,032	0,040	0,046	125 (115 — 140)
K6	E	0,30	0,0022	0,0042	0,0065	0,0090	0,011	0,014	0,020	0,028	0,036	0,044	0,050	185 (165 — 205)
K7	E	0,30	0,0019	0,0038	0,0060	0,0080	0,010	0,013	0,018	0,024	0,032	0,040	0,046	165 (145 — 180)
N1	E	0,30	0,0050	0,010	0,015	0,020	0,026	0,034	0,048	0,065	0,085	0,10	0,12	1425 (1175 — 1650)
N2	E	0,30	0,0050	0,010	0,015	0,020	0,026	0,034	0,048	0,065	0,085	0,10	0,12	910 (760 — 1050)
N3	E	0,30	0,0050	0,010	0,015	0,020	0,026	0,034	0,048	0,065	0,085	0,10	0,12	610 (510 — 710)
N11	E	0,30	0,0032	0,0065	0,010	0,013	0,017	0,022	0,030	0,042	0,055	0,065	0,075	650 (570 — 730)
S1	E	0,30	0,0022	0,0042	0,0065	0,0090	0,011	0,014	0,020	0,028	0,036	0,044	0,050	80 (70 — 95)
S2	E	0,30	0,0022	0,0042	0,0065	0,0090	0,011	0,014	0,020	0,028	0,036	0,044	0,050	80 (70 — 95)
S11	E	0,40	0,0032	0,0065	0,0095	0,013	0,017	0,020	0,028	0,038	0,048	0,065	0,075	160 (140 — 180)
S12	E	0,40	0,0032	0,0065	0,0095	0,013	0,017	0,020	0,028	0,038	0,048	0,065	0,075	125 (110 — 140)
S13	E	0,40	0,0028	0,0055	0,0085	0,011	0,015	0,018	0,024	0,032	0,042	0,060	0,065	95 (85 — 110)
TS1	A	0,40	0,0050	0,010	0,015	0,020	0,026	0,032	0,044	0,060	0,075	0,10	0,12	780 (720 — 850)
TP1	A	0,40	0,0050	0,010	0,015	0,020	0,026	0,032	0,044	0,060	0,075	0,10	0,12	650 (590 — 720)
GR1	A	0,40	0,0050	0,010	0,015	0,020	0,026	0,032	0,044	0,060	0,075	0,10	0,12	780 (720 — 850)

SMG = Seco material group

Coolant = A=air D=dry E=emulsion M=mist spray

v_c = m/min

f_z = mm

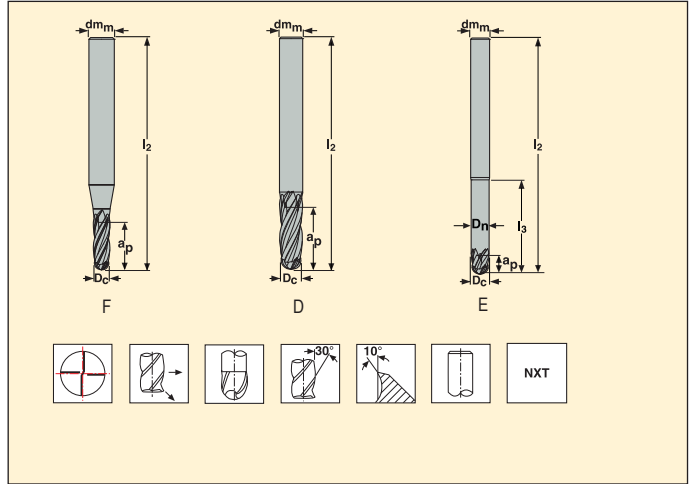
a_p (mm)/ D_c (mm)= factor

All cutting data are target values

JS534 – Solid carbide end mill – cylindrical – ball nose – four flute



Tolerances:
 $dm_m = h5$
 $D_c = e8$
 $r_{e1} = \pm 0,01 \text{ mm}$



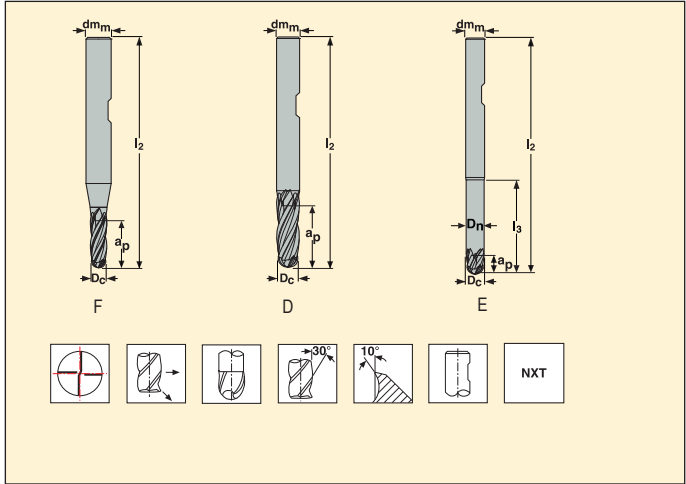
Part No.	Length index	Tool shape	Dimensions in mm						r_{e1}	z_n	Cylindrical
			D_c	dm_m	a_p	l_2	l_3	D_n			
JS534020F1B.0Z4-NXT	1	F	2	3	6	38	-	-	1	4	■
JS534030D1B.0Z4-NXT	1	D	3	3	9	38	-	-	1,5	4	■
JS534040F1B.0Z4-NXT	1	F	4	6	12	57	-	-	2	4	■
JS534050F1B.0Z4-NXT	1	F	5	6	15	57	-	-	2,5	4	■
JS534060D1B.0Z4-NXT	1	D	6	6	18	57	-	-	3	4	■
JS534080D1B.0Z4-NXT	1	D	8	8	24	69	-	-	4	4	■
JS534100D1B.0Z4-NXT	1	D	10	10	30	82	-	-	5	4	■
JS534120D1B.0Z4-NXT	1	D	12	12	36	100	-	-	6	4	■
JS534160D1B.0Z4-NXT	1	D	16	16	48	110	-	-	8	4	■
JS534200D1B.0Z4-NXT	1	D	20	20	60	125	-	-	10	4	■
JS534040F2B.0Z4-NXT	2	F	4	6	20	63	-	-	2	4	■
JS534050F2B.0Z4-NXT	2	F	5	6	25	75	-	-	2,5	4	■
JS534060D2B.0Z4-NXT	2	D	6	6	30	75	-	-	3	4	■
JS534080D2B.0Z4-NXT	2	D	8	8	40	80	-	-	4	4	■
JS534100D2B.0Z4-NXT	2	D	10	10	50	100	-	-	5	4	■
JS534120D2B.0Z4-NXT	2	D	12	12	60	125	-	-	6	4	■
JS534160D2B.0Z4-NXT	2	D	16	16	80	130	-	-	8	4	■
JS534060E3B.0Z4-NXT	3	E	6	6	6	75	30	5,7	3	4	■
JS534080E3B.0Z4-NXT	3	E	8	8	8	80	40	7,6	4	4	■
JS534100E3B.0Z4-NXT	3	E	10	10	10	100	50	9,7	5	4	■
JS534120E3B.0Z4-NXT	3	E	12	12	12	125	60	11,4	6	4	■
JS534160E3B.0Z4-NXT	3	E	16	16	16	130	80	15,2	8	4	■
JS534200E3B.0Z4-NXT	3	E	20	20	20	150	90	19	10	4	■

■ Stock standard. Subject to change refer to current price-and stock-list.

JS534 – Solid carbide end mill – Weldon – ball nose – four flute



Tolerances:
 $dm_m = h5$
 $D_c = e8$
 $r_{e1} = +/- 0,01$ mm



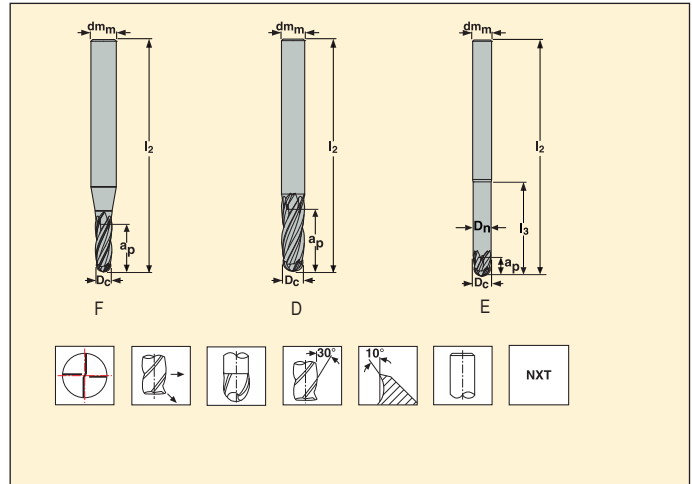
Part No.	Length index	Tool shape	Dimensions in mm						r_{e1}	z_n	Weldon
			D_c	dm_m	a_p	l_2	l_3	D_n			
JS534040F1B.3Z4-NXT	1	F	4	6	12	57	-	-	2	4	<input type="checkbox"/>
JS534050F1B.3Z4-NXT	1	F	5	6	15	63	-	-	2,5	4	<input type="checkbox"/>
JS534060D1B.3Z4-NXT	1	D	6	6	18	57	-	-	3	4	<input type="checkbox"/>
JS534080D1B.3Z4-NXT	1	D	8	8	24	69	-	-	4	4	<input type="checkbox"/>
JS534100D1B.3Z4-NXT	1	D	10	10	30	82	-	-	5	4	<input type="checkbox"/>
JS534120D1B.3Z4-NXT	1	D	12	12	36	100	-	-	6	4	<input type="checkbox"/>
JS534160D1B.3Z4-NXT	1	D	16	16	48	110	-	-	8	4	<input type="checkbox"/>
JS534200D1B.3Z4-NXT	1	D	20	20	60	125	-	-	10	4	<input type="checkbox"/>
<hr/>											
JS534040F2B.3Z4-NXT	2	F	4	6	20	63	-	-	2	4	<input type="checkbox"/>
JS534050F2B.3Z4-NXT	2	F	5	6	25	75	-	-	2,5	4	<input type="checkbox"/>
JS534060D2B.3Z4-NXT	2	D	6	6	30	75	-	-	3	4	<input type="checkbox"/>
JS534080D2B.3Z4-NXT	2	D	8	8	40	100	-	-	4	4	<input type="checkbox"/>
JS534100D2B.3Z4-NXT	2	D	10	10	50	100	-	-	5	4	<input type="checkbox"/>
JS534120D2B.3Z4-NXT	2	D	12	12	60	125	-	-	6	4	<input type="checkbox"/>
JS534160D2B.3Z4-NXT	2	D	16	16	80	130	-	-	8	4	<input type="checkbox"/>
<hr/>											
JS534060E3B.3Z4-NXT	3	E	6	6	6	75	30	5,7	3	4	<input type="checkbox"/>
JS534080E3B.3Z4-NXT	3	E	8	8	8	80	40	7,6	4	4	<input type="checkbox"/>
JS534100E3B.3Z4-NXT	3	E	10	10	10	100	50	9,7	5	4	<input type="checkbox"/>
JS534120E3B.3Z4-NXT	3	E	12	12	12	125	60	11,4	6	4	<input type="checkbox"/>
JS534160E3B.3Z4-NXT	3	E	16	16	16	130	80	15,2	8	4	<input type="checkbox"/>
JS534200E3B.3Z4-NXT	3	E	20	20	20	150	90	19	10	4	<input type="checkbox"/>

Weldon available, delivery time is 3 days.

JS534 – Solid carbide end mill – cylindrical – ball nose – four flute – inch



Tolerances:
 $dm_m = h5$
 $D_c = e8$
 $r_{e1} = \pm 0,01 \text{ mm}$



Part No.	Length index	Tool shape	Dimensions in inch							z_n	Cylindrical
			D_c	dm_m	a_p	l_2	l_3	D_n	r_{e1}		
JS534.062F1B.0Z4-NXT	1	F	.063	.125	.156	1.500	-	-	.031	4	■
JS534.125D1B.0Z4-NXT	1	D	.125	.125	.313	1.500	-	-	.063	4	■
JS534.187D1B.0Z4-NXT	1	D	.188	.188	.500	2.000	-	-	.094	4	■
JS534.250D1B.0Z4-NXT	1	D	.250	.250	.625	2.000	-	-	.125	4	■
JS534.375D1B.0Z4-NXT	1	D	.375	.375	1.000	3.000	-	-	.188	4	■
JS534.500D1B.0Z4-NXT	1	D	.500	.500	1.250	3.500	-	-	.250	4	■
JS534.625D1B.0Z4-NXT	1	D	.625	.625	1.562	4.000	-	-	.313	4	■
JS534.750D1B.0Z4-NXT	1	D	.750	.750	1.875	5.000	-	-	.375	4	■
JS534.125E2B.0Z4-NXT	2	E	.125	.125	.125	1.500	.787	.117	.063	4	■
JS534.250E2B.0Z4-NXT	2	E	.250	.250	.250	2.500	1.378	.234	.125	4	■
JS534.375E2B.0Z4-NXT	2	E	.375	.375	.375	3.500	1.575	.355	.188	4	■
JS534.500E2B.0Z4-NXT	2	E	.500	.500	.500	4.500	2.362	.476	.250	4	■
JS534.125E3B.0Z4-NXT	3	E	.125	.125	.125	2.000	.787	.117	.063	4	■
JS534.250E3B.0Z4-NXT	3	E	.250	.250	.250	3.000	1.378	.234	.125	4	■
JS534.375E3B.0Z4-NXT	3	E	.375	.375	.375	4.000	1.969	.355	.188	4	■
JS534.500E3B.0Z4-NXT	3	E	.500	.500	.500	5.000	2.756	.476	.250	4	■

■ Stock standard. Subject to change refer to current price-and stock-list.

Cutting data – JS534 Copy milling roughing $a_e/D_c = 0,3$

SMG		a_p / D_c	f_z										v_c
			2	3	4	5	6	8	10	12	16	20	
P1	M/A/D/E	0,15	0,0060	0,0095	0,014	0,018	0,024	0,032	0,040	0,048	0,060	0,070	320 (275 – 360)
P2	M/A/D/E	0,15	0,0060	0,0095	0,014	0,019	0,024	0,032	0,040	0,048	0,060	0,070	310 (270 – 355)
P3	M/A/D/E	0,15	0,0055	0,0090	0,013	0,018	0,024	0,030	0,038	0,046	0,055	0,065	270 (235 – 305)
P4	M/A/D/E	0,15	0,0055	0,0090	0,013	0,017	0,022	0,030	0,038	0,044	0,055	0,065	235 (205 – 270)
P5	M/A/D/E	0,15	0,0055	0,0090	0,013	0,017	0,022	0,030	0,038	0,044	0,055	0,065	225 (195 – 255)
P6	M/A/D/E	0,15	0,0055	0,0085	0,012	0,017	0,022	0,030	0,036	0,044	0,055	0,060	255 (220 – 290)
P7	M/A/D/E	0,15	0,0055	0,0085	0,012	0,017	0,022	0,030	0,036	0,044	0,055	0,060	240 (210 – 275)
P8	M/A/D/E	0,15	0,0055	0,0090	0,013	0,018	0,024	0,030	0,038	0,046	0,055	0,065	225 (195 – 255)
P11	M/A/D/E	0,15	0,0055	0,0085	0,012	0,017	0,022	0,030	0,036	0,044	0,055	0,060	235 (205 – 265)
M1	E	0,10	0,0050	0,0090	0,013	0,017	0,020	0,026	0,034	0,040	0,048	0,055	205 (165 – 240)
M2	E	0,10	0,0048	0,0080	0,012	0,015	0,018	0,024	0,030	0,036	0,044	0,050	165 (135 – 195)
M3	E	0,10	0,0060	0,010	0,015	0,019	0,022	0,030	0,038	0,044	0,055	0,065	125 (100 – 150)
M4	E	0,10	0,0050	0,0085	0,013	0,016	0,019	0,026	0,032	0,038	0,048	0,055	95 (75 – 110)
M5	E	0,10	0,0050	0,0085	0,013	0,016	0,019	0,026	0,032	0,038	0,048	0,055	80 (65 – 95)
K1	E	0,15	0,0044	0,0070	0,010	0,014	0,018	0,024	0,030	0,036	0,044	0,050	315 (280 – 345)
K2	E	0,15	0,0040	0,0065	0,0095	0,013	0,016	0,022	0,028	0,032	0,040	0,046	270 (245 – 300)
K3	E	0,15	0,0040	0,0065	0,0095	0,013	0,016	0,022	0,028	0,032	0,040	0,046	230 (205 – 255)
K4	E	0,10	0,0060	0,010	0,015	0,019	0,022	0,030	0,038	0,044	0,055	0,065	215 (190 – 235)
K5	E	0,10	0,0055	0,0090	0,013	0,017	0,020	0,026	0,034	0,040	0,048	0,055	130 (115 – 140)
K6	E	0,10	0,0060	0,010	0,015	0,019	0,022	0,030	0,038	0,044	0,055	0,065	190 (170 – 210)
K7	E	0,10	0,0055	0,0090	0,013	0,017	0,020	0,026	0,034	0,040	0,048	0,055	165 (145 – 180)
N1	E	0,20	0,0085	0,014	0,019	0,024	0,032	0,048	0,060	0,070	0,090	0,10	1650 (1525 – 1800)
N2	E	0,20	0,0085	0,014	0,019	0,024	0,032	0,048	0,060	0,070	0,090	0,10	1050 (970 – 1150)
N3	E	0,20	0,0085	0,014	0,019	0,024	0,032	0,048	0,060	0,070	0,090	0,10	710 (650 – 770)
N11	E	0,20	0,0055	0,0085	0,012	0,016	0,020	0,030	0,038	0,044	0,055	0,065	690 (600 – 780)
S1	E	0,10	0,0042	0,0070	0,011	0,013	0,016	0,022	0,026	0,032	0,040	0,046	85 (70 – 100)
S2	E	0,10	0,0042	0,0070	0,011	0,013	0,016	0,022	0,026	0,032	0,040	0,046	85 (70 – 100)
S3	E	0,10	0,0040	0,0065	0,010	0,013	0,015	0,020	0,026	0,030	0,036	0,042	41 (27 – 55)
S11	E	0,10	0,0048	0,0080	0,012	0,015	0,018	0,024	0,030	0,036	0,044	0,050	170 (150 – 190)
S12	E	0,10	0,0048	0,0080	0,012	0,015	0,018	0,024	0,030	0,036	0,044	0,050	130 (115 – 145)
S13	E	0,10	0,0042	0,0070	0,010	0,013	0,016	0,020	0,026	0,032	0,038	0,044	100 (90 – 115)
TS1	A	0,30	0,0085	0,013	0,018	0,022	0,028	0,040	0,055	0,070	0,090	0,10	1225 (1125 – 1325)
TP1	A	0,30	0,0085	0,013	0,018	0,022	0,028	0,040	0,055	0,070	0,090	0,10	1025 (920 – 1125)
GR1	A	0,30	0,0085	0,013	0,018	0,022	0,028	0,040	0,055	0,070	0,090	0,10	1225 (1125 – 1325)

SMG = Seco material group

Coolant = A=air D=dry E=emulsion M=mist spray

v_c = m/min

f_z = mm

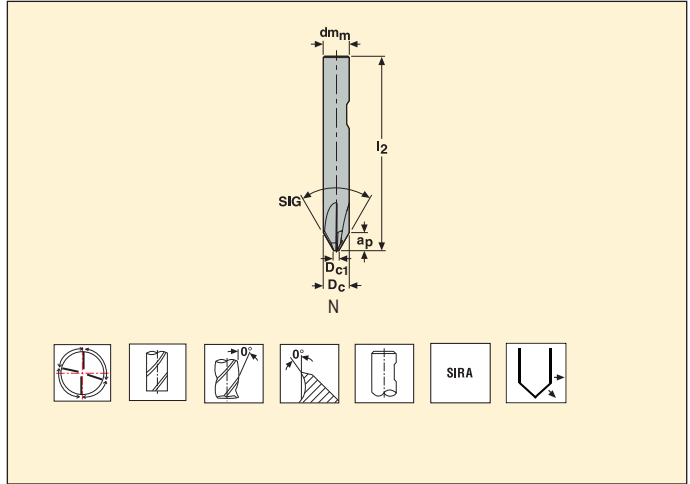
a_p (mm)/ D_c (mm) = factor

All cutting data are target values

JS506 – Solid carbide chamfer tool – Weldon – unequal flute spacing



Tolerances:
 $dm_m = h5$
 $SIG = \pm 0,5^\circ$



Part No.	Length index	Tool shape	Dimensions in mm						z_n	Weldon
			D_c	D_{c1}	dm_m	a_p	l_2	SIG		
JS506060N2CZ4.3-SIRA	2	N	6	1,2	6	4,1	57	60	4	■
JS506080N2CZ4.3-SIRA	2	N	8	1,6	8	5,5	63	60	4	■
JS506100N2CZ4.3-SIRA	2	N	10	2	10	6,9	72	60	4	■
JS506120N2CZ4.3-SIRA	2	N	12	2,4	12	8,3	83	60	4	■

■ Stock standard. Subject to change refer to current price-and stock-list.

Cutting data – JS506 Chamfering $a_e/D_c = 0,1$

SMG		a_p / D_c	f_z						v_c
			3	4	6	8	10	12	
P1	M/A/D/E	0,30	0,024	0,032	0,048	0,065	0,080	0,095	230 (190 – 340)
P2	M/A/D/E	0,30	0,024	0,032	0,048	0,065	0,080	0,095	225 (185 – 335)
P3	M/A/D/E	0,30	0,024	0,032	0,048	0,065	0,080	0,095	190 (160 – 285)
P4	M/A/D/E	0,30	0,024	0,032	0,048	0,065	0,080	0,095	170 (140 – 250)
P5	M/A/D/E	0,30	0,024	0,032	0,048	0,065	0,080	0,095	160 (135 – 240)
P6	M/A/D/E	0,30	0,024	0,032	0,048	0,065	0,080	0,095	180 (150 – 270)
P7	M/A/D/E	0,30	0,024	0,032	0,048	0,065	0,080	0,095	170 (145 – 255)
P8	M/A/D/E	0,30	0,024	0,032	0,048	0,065	0,080	0,095	160 (135 – 240)
P11	M/A/D/E	0,30	0,024	0,032	0,048	0,065	0,080	0,095	165 (140 – 250)
M1	E/M/A	0,30	0,024	0,032	0,048	0,065	0,080	0,095	135 (110 – 200)
M2	E/M/A	0,30	0,024	0,032	0,048	0,065	0,080	0,095	105 (90 – 160)
M3	E/M/A	0,30	0,024	0,032	0,048	0,065	0,080	0,095	80 (70 – 120)
M4	E/M/A	0,24	0,022	0,028	0,044	0,060	0,070	0,085	60 (50 – 90)
M5	E/M/A	0,24	0,022	0,028	0,044	0,060	0,070	0,085	50 (43 – 75)
K1	A/D/M/E	0,30	0,024	0,032	0,048	0,065	0,080	0,095	205 (170 – 305)
K2	A/D/M/E	0,30	0,024	0,032	0,048	0,065	0,080	0,095	175 (150 – 265)
K3	A/D/M/E	0,30	0,024	0,032	0,048	0,065	0,080	0,095	150 (125 – 225)
K4	A/D/M/E	0,30	0,024	0,032	0,048	0,065	0,080	0,095	145 (120 – 215)
K5	A/D/M/E	0,30	0,022	0,030	0,044	0,060	0,075	0,090	85 (70 – 130)
K6	A/D/M/E	0,30	0,024	0,032	0,048	0,065	0,080	0,095	125 (105 – 190)
K7	A/D/M/E	0,30	0,022	0,030	0,044	0,060	0,075	0,090	110 (95 – 165)
N1	E/M/A	0,30	0,024	0,032	0,048	0,065	0,080	0,095	840 (700 – 1250)
N2	E/M/A	0,30	0,024	0,032	0,048	0,065	0,080	0,095	540 (450 – 800)
N3	E/M/A	0,30	0,024	0,032	0,048	0,065	0,080	0,095	360 (300 – 540)
N11	E/M/A	0,30	0,024	0,032	0,048	0,065	0,080	0,095	540 (450 – 800)
S1	E	0,30	0,024	0,032	0,048	0,065	0,080	0,095	50 (42 – 75)
S2	E	0,30	0,024	0,032	0,048	0,065	0,080	0,095	50 (42 – 75)
S3	E	0,30	0,024	0,032	0,048	0,065	0,080	0,095	30 (25 – 45)
S11	E	0,30	0,024	0,032	0,048	0,065	0,080	0,095	105 (90 – 155)
S12	E	0,30	0,024	0,032	0,048	0,065	0,080	0,095	80 (70 – 120)
S13	E	0,26	0,022	0,028	0,044	0,060	0,070	0,085	65 (55 – 95)
H5	M/A/D	0,34	0,024	0,032	0,048	0,065	0,080	0,095	65 (55 – 100)
H8	M/A/D	0,30	0,024	0,032	0,048	0,065	0,080	0,095	65 (55 – 95)
H11	M/A/D	0,34	0,024	0,032	0,048	0,065	0,080	0,095	85 (70 – 125)
H12	M/A/D	0,34	0,024	0,032	0,048	0,065	0,080	0,095	135 (115 – 205)
H21	M/A/D	0,30	0,024	0,032	0,048	0,065	0,080	0,095	65 (55 – 95)
TS1	A/D	0,30	0,028	0,036	0,055	0,070	0,090	0,11	530 (440 – 790)
TP1	A/D	0,30	0,028	0,036	0,055	0,070	0,090	0,11	530 (440 – 790)
GR1	A/D	0,30	0,028	0,036	0,055	0,070	0,090	0,11	530 (440 – 790)

SMG = Seco material group

Coolant = A=air D=dry E=emulsion M=mist spray

v_c = m/min

f_z = mm

a_p (mm)/ D_c (mm)= factor

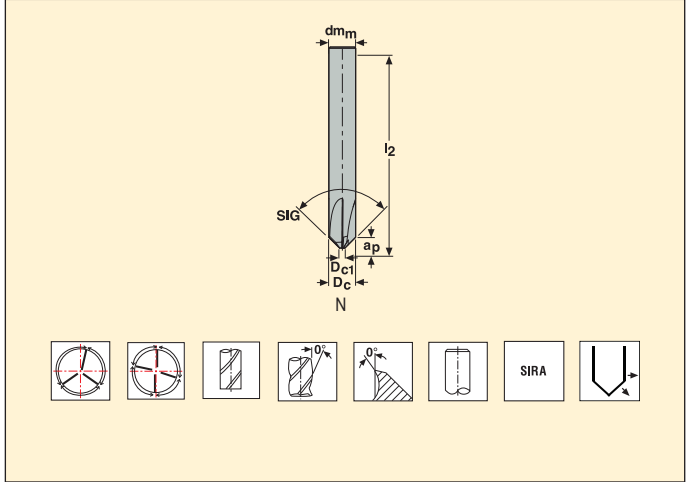
a_e (mm)/ D_c (mm)= factor

All cutting data are target values

JS509 – Solid carbide chamfer tool – cylindrical – unequal flute spacing



Tolerances:
 $dm_m = h5$
 $SIG = \pm 0,5^\circ$



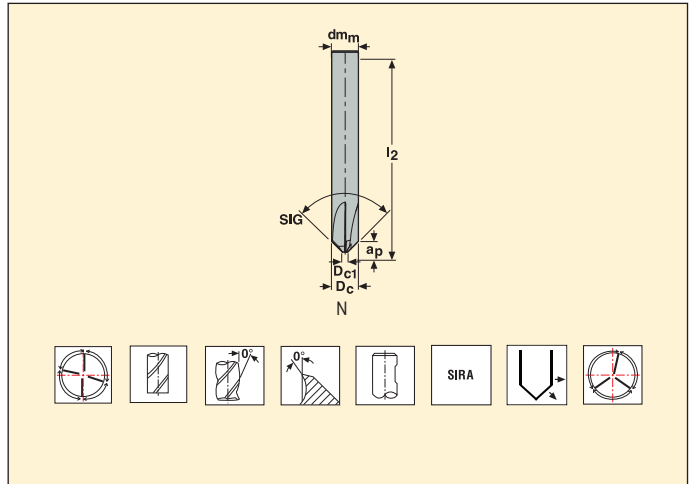
Part No.	Length index	Tool shape	Dimensions in mm						z_n	Cylindrical
			D_c	D_{c1}	dm_m	a_p	l_2	SIG		
JS509030N2CZ3.0-SIRA	2	N	3	0,6	3	1,2	50	90	3	■
JS509040N2CZ3.0-SIRA	2	N	4	0,8	4	1,6	50	90	3	■
JS509060N2CZ4.0-SIRA	2	N	6	1,2	6	2,4	57	90	4	■
JS509080N2CZ4.0-SIRA	2	N	8	1,6	8	3,2	63	90	4	■
JS509100N2CZ4.0-SIRA	2	N	10	2	10	4	72	90	4	■
JS509120N2CZ4.0-SIRA	2	N	12	2,4	12	4,8	83	90	4	■

■ Stock standard. Subject to change refer to current price-and stock-list.

JS509 – Solid carbide chamfer tool – Weldon – unequal flute spacing



Tolerances:
 $dm_m = h5$
 $SIG = \pm 0,5^\circ$



Part No.	Length index	Tool shape	Dimensions in mm						z _n	Weldon
			D _c	D _{c1}	dm _m	a _p	l ₂	SIG		
JS509030N2CZ3.0-SIRA	2	N	3	0,6	3	1,2	50	90	3	
JS509060N2CZ4.3-SIRA	2	N	6	1,2	6	2,4	57	90	4	■
JS509080N2CZ4.3-SIRA	2	N	8	1,6	8	3,2	63	90	4	■
JS509100N2CZ4.3-SIRA	2	N	10	2	10	4	72	90	4	■
JS509120N2CZ4.3-SIRA	2	N	12	2,4	12	4,8	83	90	4	■

■ Stock standard. Subject to change refer to current price-and stock-list.

Cutting data – JS509 Chamfering $a_p/D_c = 0,1$

SMG		a_p / D_c	f_z						v_c
			3	4	6	8	10	12	
P1	M/A/D/E	0,30	0,024	0,032	0,048	0,065	0,080	0,095	230 (190 – 340)
P2	M/A/D/E	0,30	0,024	0,032	0,048	0,065	0,080	0,095	225 (185 – 335)
P3	M/A/D/E	0,30	0,024	0,032	0,048	0,065	0,080	0,095	190 (160 – 285)
P4	M/A/D/E	0,30	0,024	0,032	0,048	0,065	0,080	0,095	170 (140 – 250)
P5	M/A/D/E	0,30	0,024	0,032	0,048	0,065	0,080	0,095	160 (135 – 240)
P6	M/A/D/E	0,30	0,024	0,032	0,048	0,065	0,080	0,095	180 (150 – 270)
P7	M/A/D/E	0,30	0,024	0,032	0,048	0,065	0,080	0,095	170 (145 – 255)
P8	M/A/D/E	0,30	0,024	0,032	0,048	0,065	0,080	0,095	160 (135 – 240)
P11	M/A/D/E	0,30	0,024	0,032	0,048	0,065	0,080	0,095	165 (140 – 250)
M1	E/M/A	0,30	0,024	0,032	0,048	0,065	0,080	0,095	135 (110 – 200)
M2	E/M/A	0,30	0,024	0,032	0,048	0,065	0,080	0,095	105 (90 – 160)
M3	E/M/A	0,30	0,024	0,032	0,048	0,065	0,080	0,095	80 (70 – 120)
M4	E/M/A	0,24	0,022	0,028	0,044	0,060	0,070	0,085	60 (50 – 90)
M5	E/M/A	0,24	0,022	0,028	0,044	0,060	0,070	0,085	50 (43 – 75)
K1	A/D/M/E	0,30	0,024	0,032	0,048	0,065	0,080	0,095	205 (170 – 305)
K2	A/D/M/E	0,30	0,024	0,032	0,048	0,065	0,080	0,095	175 (150 – 265)
K3	A/D/M/E	0,30	0,024	0,032	0,048	0,065	0,080	0,095	150 (125 – 225)
K4	A/D/M/E	0,30	0,024	0,032	0,048	0,065	0,080	0,095	145 (120 – 215)
K5	A/D/M/E	0,30	0,022	0,030	0,044	0,060	0,075	0,090	85 (70 – 130)
K6	A/D/M/E	0,30	0,024	0,032	0,048	0,065	0,080	0,095	125 (105 – 190)
K7	A/D/M/E	0,30	0,022	0,030	0,044	0,060	0,075	0,090	110 (95 – 165)
N1	E/M/A	0,30	0,024	0,032	0,048	0,065	0,080	0,095	840 (700 – 1250)
N2	E/M/A	0,30	0,024	0,032	0,048	0,065	0,080	0,095	540 (450 – 800)
N3	E/M/A	0,30	0,024	0,032	0,048	0,065	0,080	0,095	360 (300 – 540)
N11	E/M/A	0,30	0,024	0,032	0,048	0,065	0,080	0,095	540 (450 – 800)
S1	E	0,30	0,024	0,032	0,048	0,065	0,080	0,095	50 (42 – 75)
S2	E	0,30	0,024	0,032	0,048	0,065	0,080	0,095	50 (42 – 75)
S3	E	0,30	0,024	0,032	0,048	0,065	0,080	0,095	30 (25 – 45)
S11	E	0,30	0,024	0,032	0,048	0,065	0,080	0,095	105 (90 – 155)
S12	E	0,30	0,024	0,032	0,048	0,065	0,080	0,095	80 (70 – 120)
S13	E	0,26	0,022	0,028	0,044	0,060	0,070	0,085	65 (55 – 95)
H5	M/A/D	0,34	0,024	0,032	0,048	0,065	0,080	0,095	65 (55 – 100)
H8	M/A/D	0,30	0,024	0,032	0,048	0,065	0,080	0,095	65 (55 – 95)
H11	M/A/D	0,34	0,024	0,032	0,048	0,065	0,080	0,095	85 (70 – 125)
H12	M/A/D	0,34	0,024	0,032	0,048	0,065	0,080	0,095	135 (115 – 205)
H21	M/A/D	0,30	0,024	0,032	0,048	0,065	0,080	0,095	65 (55 – 95)
TS1	A/D	0,30	0,028	0,036	0,055	0,070	0,090	0,11	530 (440 – 790)
TP1	A/D	0,30	0,028	0,036	0,055	0,070	0,090	0,11	530 (440 – 790)
GR1	A/D	0,30	0,028	0,036	0,055	0,070	0,090	0,11	530 (440 – 790)

SMG = Seco material group

Coolant = A=air D=dry E=emulsion M=mist spray

v_c = m/min

f_z = mm

a_p (mm)/ D_c (mm) = factor

a_g (mm)/ D_c (mm) = factor

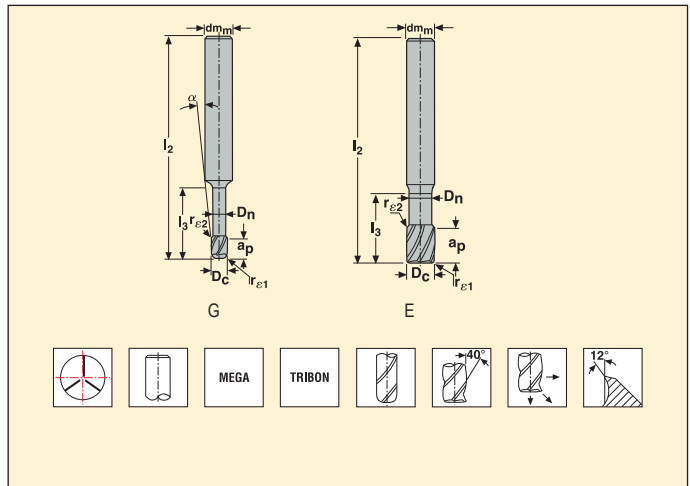
All cutting data are target values

JH910 – Solid carbide end mill – cylindrical – corner radius – three flute – MEGA or TRIBON coated*



Tolerances:

$dm_m = h5$
 $D_c = 0,02/-0,04 \text{ mm}$
 $r_{e1} = +/-0,05 \text{ mm}$



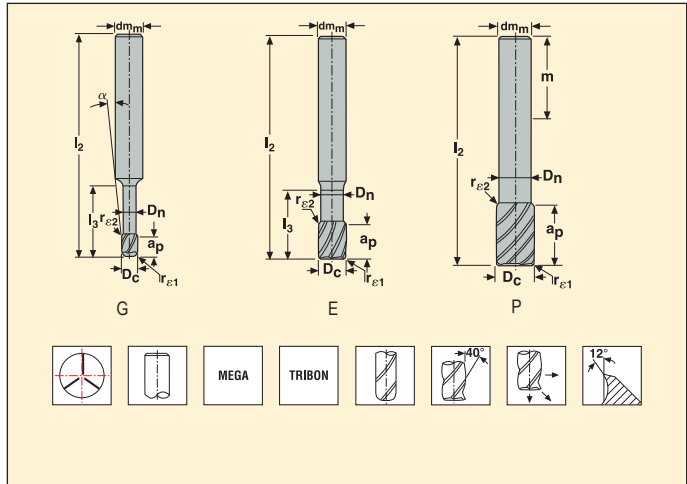
Part No.	Length index	Tool shape	Dimensions in mm								r _{e1}	r _{e2}	α°	z _n
			D _c	dm _m	a _p	l ₂	l ₃	D _n						
910020R020-MEGA	2	G	2	3	3	40	6	1,9	0,2	2	3,5	3		
910025R020-MEGA	2	G	2,5	3	4	40	6	2,4	0,2	2	2	3		
910030R010-MEGA	2	E	3	3	4	40	7	2,8	0,1	2	-	3		
910030R020-MEGA	2	E	3	3	4	40	7	2,8	0,2	2	-	3		
910035R020-MEGA	2	G	3,5	6	5	50	9	3,2	0,2	2	6	3		
910040R020-MEGA	2	G	4	6	5	50	9	3,7	0,2	2	5	3		
910040R030-MEGA	2	G	4	6	5	50	9	3,7	0,3	2	5	3		
910040R050-MEGA	2	G	4	6	5	50	9	3,7	0,5	2	5	3		
910050R020-MEGA	2	G	5	6	6	50	11	4,6	0,2	2	2,5	3		
910060R020-MEGA	2	E	6	6	7	60	14	5,6	0,2	2	-	3		
910060R030-MEGA	2	E	6	6	7	60	14	5,6	0,3	2	-	3		
910060R050-MEGA	2	E	6	6	7	60	14	5,6	0,5	2	-	3		
910080R020-MEGA	2	E	8	8	9	60	18	7,4	0,2	2	-	3		
910080R050-MEGA	2	E	8	8	9	60	18	7,4	0,5	2	-	3		
910100R020-MEGA	2	E	10	10	12	70	25	9,4	0,2	2	-	3		
910100R050-MEGA	2	E	10	10	12	70	25	9,4	0,5	2	-	3		
910100R100-MEGA	2	E	10	10	12	70	25	9,4	1	2	-	3		
910120R050-MEGA	2	E	12	12	15	80	30	11,4	0,5	3	-	3		
910120R100-MEGA	2	E	12	12	15	80	30	11,4	1	3	-	3		
910120R150-MEGA	2	E	12	12	15	80	30	11,4	1,5	3	-	3		
910160R100-MEGA	2	E	16	16	18	90	38	15,4	1	4	-	3		
910200R100-MEGA	2	E	20	20	22	100	40	19,2	1	4	-	3		

* ordering example:
 MEGA: 910020R020-MEGA
 TRIBON: 910020R020-TRIBON

JH910 – Solid carbide end mill – cylindrical – corner radius – three flute – MEGA or TRIBON coated*



Tolerances:
 $dm_m = h5$
 $D_c = 0,02/-0,04$ mm
 $r_{e1} = +/-0,05$ mm



Part No.	Length index	Tool shape	Dimensions in mm						r_{e1}	r_{e2}	α°	D_n	m	z_n
			D_c	dm_m	a_p	l_2	l_3							
910L020-MEGA	3	G	2	3	3	60	10	0,2	2	2,5	1,9	28	3	
910L030-MEGA	3	E	3	3	4	60	14	0,2	2	–	2,8	28	3	
910L040-MEGA	3	G	4	6	5	65	18	0,2	2	3	3,7	36	3	
910L050-MEGA	3	G	5	6	6	65	22	0,2	2	1,5	4,6	36	3	
910L060-MEGA	3	E	6	6	7	80	26	0,3	2	–	5,6	36	3	
910L080-MEGA	3	E	8	8	9	85	36	0,5	2	–	7,4	36	3	
910L100-MEGA	3	E	10	10	12	100	45	0,5	2	–	9,4	40	3	
910L120-MEGA	3	E	12	12	15	125	54	0,5	3	–	11,4	45	3	
910L160-MEGA	3	E	16	16	18	125	65	1	4	–	15,4	48	3	
910RS070-MEGA	4	P	7	6	8	100	–	0,3	3	–	6	36	3	
910RS090-MEGA	4	P	9	8	11	100	–	0,5	3	–	8	36	3	
910RS110-MEGA	4	P	11	10	13	125	–	0,5	3	–	10	40	3	
910RS130-MEGA	4	P	13	12	16	150	–	0,6	3	–	12	45	3	

* ordering example:
 MEGA: 910020R020-MEGA
 TRIBON: 910020R020-TRIBON

Cutting data – JH910 Slotting

SMG	a_p / D_c	f_z																v_c
		1	2	3	4	5	6	8	9	10	11	12	13	16	17	20		
P1	M/E/A	0,28	0,0055	0,011	0,016	0,022	0,026	0,032	0,044	0,048	0,055	0,060	0,065	0,070	0,080	0,085	0,090	260 (230 – 285)
P2	M/E/A	0,28	0,0055	0,011	0,016	0,022	0,028	0,032	0,044	0,050	0,055	0,060	0,065	0,070	0,080	0,085	0,095	250 (225 – 280)
P3	M/E/A	0,28	0,0050	0,010	0,016	0,020	0,026	0,032	0,042	0,046	0,050	0,055	0,060	0,065	0,075	0,080	0,090	220 (195 – 245)
P4	M/E/A	0,28	0,0050	0,010	0,015	0,020	0,026	0,030	0,040	0,046	0,050	0,055	0,060	0,065	0,075	0,080	0,085	195 (175 – 215)
P5	M/E/A	0,28	0,0050	0,010	0,015	0,020	0,024	0,030	0,040	0,044	0,050	0,055	0,060	0,065	0,075	0,075	0,085	185 (165 – 205)
P6	M/E/A	0,28	0,0050	0,010	0,015	0,020	0,024	0,030	0,040	0,044	0,050	0,055	0,060	0,060	0,075	0,075	0,085	210 (185 – 230)
P7	M/E/A	0,28	0,0050	0,010	0,015	0,020	0,024	0,030	0,040	0,044	0,050	0,055	0,060	0,060	0,075	0,075	0,085	195 (175 – 220)
P8	M/E/A	0,28	0,0050	0,010	0,016	0,020	0,026	0,032	0,042	0,046	0,050	0,055	0,060	0,065	0,075	0,080	0,090	185 (165 – 205)
P11	M/E/A	0,28	0,0050	0,010	0,015	0,020	0,024	0,030	0,040	0,044	0,050	0,055	0,060	0,060	0,075	0,075	0,085	190 (170 – 210)
M1	M/E/A	0,10	0,0050	0,010	0,015	0,020	0,026	0,030	0,040	0,046	0,050	0,055	0,060	0,065	0,075	0,075	0,085	130 (115 – 145)
M2	M/E/A	0,10	0,0050	0,010	0,015	0,020	0,026	0,030	0,040	0,046	0,050	0,055	0,060	0,065	0,075	0,075	0,085	105 (95 – 115)
M3	M/E/A	0,080	0,0040	0,0080	0,012	0,016	0,020	0,024	0,032	0,036	0,040	0,044	0,048	0,050	0,060	0,060	0,070	85 (75 – 95)
M4	M/E/A	0,060	0,0036	0,0070	0,011	0,014	0,018	0,022	0,028	0,032	0,036	0,040	0,042	0,046	0,055	0,055	0,060	65 (60 – 75)
M5	M/E/A	0,060	0,0036	0,0070	0,011	0,014	0,018	0,022	0,028	0,032	0,036	0,040	0,042	0,046	0,055	0,055	0,060	55 (50 – 60)
K1	A/E	0,32	0,0060	0,012	0,018	0,024	0,030	0,036	0,048	0,055	0,060	0,065	0,070	0,075	0,090	0,090	0,10	180 (155 – 205)
K2	A/E	0,32	0,0055	0,011	0,016	0,022	0,028	0,032	0,044	0,050	0,055	0,060	0,065	0,070	0,080	0,085	0,090	160 (135 – 180)
K3	A/E	0,32	0,0055	0,011	0,016	0,022	0,028	0,032	0,044	0,050	0,055	0,060	0,065	0,070	0,080	0,085	0,090	135 (115 – 155)
K4	A/E	0,16	0,0050	0,010	0,015	0,020	0,024	0,030	0,040	0,044	0,050	0,055	0,060	0,065	0,075	0,075	0,085	135 (115 – 155)
K5	A/E	0,16	0,0044	0,0090	0,013	0,018	0,022	0,026	0,036	0,040	0,044	0,050	0,055	0,055	0,065	0,070	0,075	80 (70 – 95)
K6	A/E	0,16	0,0050	0,010	0,015	0,020	0,024	0,030	0,040	0,044	0,050	0,055	0,060	0,065	0,075	0,075	0,085	120 (100 – 135)
K7	A/E	0,16	0,0044	0,0090	0,013	0,018	0,022	0,026	0,036	0,040	0,044	0,050	0,055	0,055	0,065	0,070	0,075	105 (90 – 120)
S1	E/M/A	0,15	0,0050	0,010	0,015	0,020	0,024	0,030	0,040	0,044	0,050	0,055	0,060	0,065	0,075	0,075	0,085	55 (42 – 65)
S2	E/M/A	0,15	0,0050	0,010	0,015	0,020	0,024	0,030	0,040	0,044	0,050	0,055	0,060	0,065	0,075	0,075	0,085	55 (42 – 65)
S3	E/M/A	0,024	0,0050	0,010	0,015	0,020	0,024	0,030	0,040	0,044	0,050	0,055	0,060	0,065	0,075	0,075	0,085	31 (25 – 37)
S11	E/M/A	0,24	0,0050	0,010	0,015	0,020	0,024	0,030	0,040	0,044	0,050	0,055	0,060	0,065	0,075	0,075	0,085	100 (85 – 115)
S12	E/M/A	0,24	0,0050	0,010	0,015	0,020	0,024	0,030	0,040	0,044	0,050	0,055	0,060	0,065	0,075	0,075	0,085	80 (65 – 90)
S13	E/M/A	0,20	0,0044	0,0090	0,013	0,018	0,022	0,026	0,036	0,040	0,044	0,048	0,050	0,055	0,065	0,065	0,075	60 (55 – 70)
TP1	A	0,24	0,0042	0,0085	0,013	0,017	0,022	0,026	0,034	0,038	0,042	0,046	0,050	0,055	0,065	0,065	0,075	165 (140 – 195)
GR1	A	0,48	0,0070	0,014	0,020	0,028	0,034	0,042	0,055	0,065	0,070	0,075	0,085	0,090	0,10	0,11	0,12	610 (560 – 660)

SMG = Seco material group

Coolant = A=air D=dry E=emulsion M=mist spray


v_c = m/min

f_z = mm

a_p (mm)/ D_c (mm) = factor

All cutting data are target values

Cutting data – JH910 Side milling roughing $a_p/D_c = 0,05$

SMG		a_p / D_c	f_z																v_c
			1	2	3	4	5	6	8	9	10	11	12	13	16	17	20		
P1	M/E/A	0,28	0,010	0,020	0,030	0,040	0,050	0,060	0,080	0,090	0,10	0,11	0,12	0,13	0,16	0,17	0,20	455 (405 – 510)	
P2	M/E/A	0,28	0,010	0,020	0,030	0,040	0,050	0,060	0,080	0,090	0,10	0,11	0,12	0,13	0,16	0,17	0,20	445 (395 – 495)	
P3	M/E/A	0,28	0,010	0,020	0,030	0,040	0,050	0,060	0,080	0,090	0,10	0,11	0,12	0,13	0,16	0,17	0,20	385 (340 – 425)	
P4	M/E/A	0,28	0,010	0,020	0,030	0,040	0,050	0,060	0,080	0,090	0,10	0,11	0,12	0,13	0,16	0,17	0,20	335 (300 – 375)	
P5	M/E/A	0,28	0,010	0,020	0,030	0,040	0,050	0,060	0,080	0,090	0,10	0,11	0,12	0,13	0,16	0,17	0,20	320 (285 – 360)	
P6	M/E/A	0,28	0,010	0,020	0,030	0,040	0,050	0,060	0,080	0,090	0,10	0,11	0,12	0,13	0,16	0,17	0,20	360 (320 – 400)	
P7	M/E/A	0,28	0,010	0,020	0,030	0,040	0,050	0,060	0,080	0,090	0,10	0,11	0,12	0,13	0,16	0,17	0,20	340 (305 – 380)	
P8	M/E/A	0,28	0,010	0,020	0,030	0,040	0,050	0,060	0,080	0,090	0,10	0,11	0,12	0,13	0,16	0,17	0,20	320 (285 – 360)	
P11	M/E/A	0,28	0,010	0,020	0,030	0,040	0,050	0,060	0,080	0,090	0,10	0,11	0,12	0,13	0,16	0,17	0,20	330 (295 – 370)	
M1	M/E/A	0,10	0,010	0,020	0,030	0,040	0,050	0,060	0,080	0,090	0,10	0,11	0,12	0,13	0,16	0,17	0,20	225 (200 – 250)	
M2	M/E/A	0,10	0,010	0,020	0,030	0,040	0,050	0,060	0,080	0,090	0,10	0,11	0,12	0,13	0,16	0,17	0,20	185 (165 – 200)	
M3	M/E/A	0,080	0,0095	0,019	0,028	0,038	0,048	0,055	0,075	0,085	0,095	0,10	0,11	0,12	0,14	0,14	0,16	145 (130 – 160)	
M4	M/E/A	0,060	0,0085	0,017	0,026	0,034	0,042	0,050	0,065	0,075	0,085	0,090	0,10	0,11	0,12	0,13	0,14	110 (100 – 125)	
M5	M/E/A	0,060	0,0085	0,017	0,026	0,034	0,042	0,050	0,065	0,075	0,085	0,090	0,10	0,11	0,12	0,13	0,14	95 (85 – 105)	
K1	A/E	0,32	0,010	0,020	0,030	0,040	0,050	0,060	0,080	0,090	0,10	0,11	0,12	0,13	0,16	0,17	0,20	325 (280 – 370)	
K2	A/E	0,32	0,010	0,020	0,030	0,040	0,050	0,060	0,080	0,090	0,10	0,11	0,12	0,13	0,16	0,17	0,20	280 (240 – 325)	
K3	A/E	0,32	0,010	0,020	0,030	0,040	0,050	0,060	0,080	0,090	0,10	0,11	0,12	0,13	0,16	0,17	0,20	240 (205 – 275)	
K4	A/E	0,16	0,010	0,020	0,030	0,040	0,050	0,060	0,080	0,090	0,10	0,11	0,12	0,13	0,16	0,17	0,20	235 (200 – 265)	
K5	A/E	0,16	0,010	0,020	0,030	0,040	0,050	0,060	0,080	0,090	0,10	0,11	0,12	0,13	0,15	0,16	0,18	140 (120 – 160)	
K6	A/E	0,16	0,010	0,020	0,030	0,040	0,050	0,060	0,080	0,090	0,10	0,11	0,12	0,13	0,16	0,17	0,20	205 (175 – 235)	
K7	A/E	0,16	0,010	0,020	0,030	0,040	0,050	0,060	0,080	0,090	0,10	0,11	0,12	0,13	0,15	0,16	0,18	180 (150 – 205)	
S1	E/M/A	0,15	0,010	0,020	0,030	0,040	0,050	0,060	0,080	0,090	0,10	0,11	0,12	0,13	0,16	0,17	0,20	90 (75 – 110)	
S2	E/M/A	0,15	0,010	0,020	0,030	0,040	0,050	0,060	0,080	0,090	0,10	0,11	0,12	0,13	0,16	0,17	0,20	90 (75 – 110)	
S3	E/M/A	0,024	0,010	0,020	0,030	0,040	0,050	0,060	0,080	0,090	0,10	0,11	0,12	0,13	0,16	0,17	0,20	55 (42 – 65)	
S11	E/M/A	1,2	0,012	0,024	0,036	0,046	0,060	0,070	0,095	0,11	0,12	0,13	0,14	0,15	0,17	0,18	0,20	165 (145 – 185)	
S12	E/M/A	1,2	0,012	0,024	0,036	0,046	0,060	0,070	0,095	0,11	0,12	0,13	0,14	0,15	0,17	0,18	0,20	125 (110 – 145)	
S13	E/M/A	1,0	0,010	0,020	0,030	0,040	0,050	0,060	0,080	0,090	0,10	0,11	0,12	0,13	0,15	0,16	0,17	100 (90 – 115)	
TP1	A	1,2	0,010	0,020	0,030	0,040	0,050	0,060	0,080	0,090	0,10	0,11	0,12	0,13	0,15	0,15	0,17	275 (225 – 320)	
GR1	A	0,48	0,012	0,024	0,036	0,048	0,060	0,070	0,095	0,11	0,12	0,13	0,14	0,16	0,19	0,20	0,24	1100 (1025 – 1200)	

SMG = Seco material group

Coolant = A=air D=dry E=emulsion M=mist spray

v_c = m/min

f_z = mm

a_p (mm)/ D_c (mm)= factor

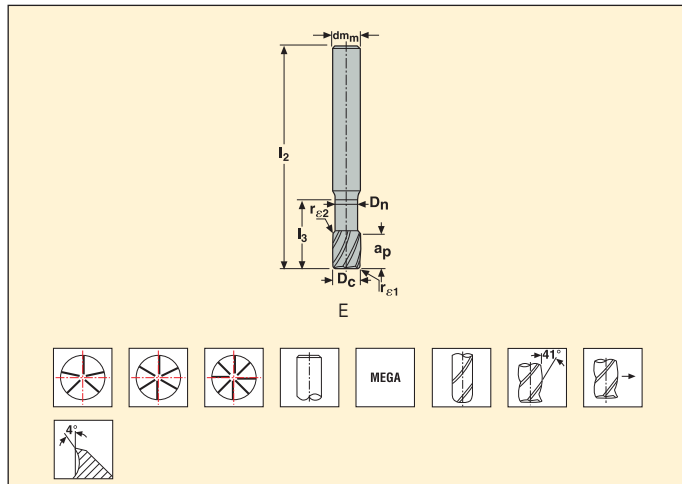
a_e (mm)/ D_c (mm)= factor

All cutting data are target values

JH930 - Solid carbide end mill - cylindrical - corner radius - multi flute



Tolerances:
 $dm_m = h5$
 $D_c = 0,02/-0,04 \text{ mm}$
 $r_{e1} = +/-0,05 \text{ mm}$



Part No.	Length index	Tool shape	Dimensions in mm						r_{e1}	r_{e2}	z_n
			D_c	dm_m	a_p	l_2	l_3	D_n			
930060R020-MEGA	2	E	6	6	9	55	15	5,6	0,2	2	5
930060R050-MEGA	2	E	6	6	9	55	15	5,6	0,5	2	5
930080R020-MEGA	2	E	8	8	12	60	18	7,4	0,2	2	5
930080R050-MEGA	2	E	8	8	12	60	18	7,4	0,5	2	5
930100R030-MEGA	2	E	10	10	15	70	25	9,4	0,3	2	6
930100R100-MEGA	2	E	10	10	15	70	25	9,4	1	2	6
930120R050-MEGA	2	E	12	12	18	80	30	11,4	0,5	3	6
930120R100-MEGA	2	E	12	12	18	80	30	11,4	1	3	6
930160R050-MEGA	2	E	16	16	24	90	35	15,4	0,5	4	8
930160R100-MEGA	2	E	16	16	24	90	35	15,4	1	4	8
930200R050-MEGA	2	E	20	20	30	100	38	19,2	0,5	4	8
930200R100-MEGA	2	E	20	20	30	100	38	19,2	1	4	8

Cutting data – JH930 Side milling finishing $a_e/D_c = 0,02$

SMG		a_p / D_c	f_z						v_c
			6	8	10	12	16	20	
P1	M/E/A	1,0	0,080	0,10	0,13	0,16	0,20	0,26	530 (495 – 560)
P2	M/E/A	1,0	0,080	0,10	0,13	0,16	0,20	0,26	510 (480 – 550)
P3	M/E/A	1,0	0,080	0,10	0,13	0,16	0,20	0,26	445 (415 – 470)
P4	M/E/A	1,0	0,080	0,10	0,13	0,16	0,20	0,26	390 (365 – 415)
P5	M/E/A	1,0	0,080	0,10	0,13	0,16	0,20	0,26	370 (350 – 395)
P6	M/E/A	1,0	0,080	0,10	0,13	0,16	0,20	0,26	420 (390 – 445)
P7	M/E/A	1,0	0,080	0,10	0,13	0,16	0,20	0,26	395 (370 – 420)
P8	M/E/A	1,0	0,080	0,10	0,13	0,16	0,20	0,26	370 (350 – 395)
P11	M/E/A	1,0	0,080	0,10	0,13	0,16	0,20	0,26	385 (360 – 410)
K1	E/M/A	1,0	0,080	0,10	0,13	0,16	0,20	0,26	300 (275 – 325)
K2	E/M/A	1,0	0,080	0,10	0,13	0,16	0,20	0,26	260 (240 – 280)
K3	E/M/A	1,0	0,080	0,10	0,13	0,16	0,20	0,26	220 (205 – 240)
K4	E/M/A	0,80	0,080	0,10	0,13	0,16	0,20	0,26	210 (195 – 230)
K5	E/M/A	0,80	0,080	0,10	0,13	0,16	0,20	0,24	125 (115 – 135)
K6	E/M/A	0,80	0,080	0,10	0,13	0,16	0,20	0,26	185 (170 – 200)
K7	E/M/A	0,80	0,080	0,10	0,13	0,16	0,20	0,24	160 (150 – 175)
S1	E/M/A	1,2	0,085	0,12	0,15	0,17	0,22	0,24	85 (65 – 110)
S2	E/M/A	1,2	0,085	0,12	0,15	0,17	0,22	0,24	85 (65 – 110)
S3	E/M/A	0,50	0,055	0,070	0,090	0,11	0,14	0,18	44 (33 – 55)
S11	E/M/A	1,0	0,075	0,10	0,13	0,15	0,19	0,22	185 (155 – 220)
S12	E/M/A	1,0	0,075	0,10	0,13	0,15	0,19	0,22	145 (120 – 170)
S13	E/M/A	1,0	0,065	0,090	0,11	0,13	0,16	0,19	115 (95 – 135)
H3	M/A	0,50	0,018	0,024	0,030	0,036	0,048	0,060	165 (155 – 180)
H5	M/A	1,5	0,030	0,040	0,050	0,060	0,080	0,10	285 (265 – 310)
H7	M/A	0,44	0,018	0,024	0,030	0,036	0,048	0,060	170 (155 – 180)
H8	M/A	1,5	0,030	0,040	0,050	0,060	0,080	0,10	285 (265 – 310)
H21	M/A	1,5	0,030	0,040	0,050	0,060	0,080	0,10	285 (265 – 310)
H31	M/A	1,5	0,030	0,040	0,050	0,060	0,080	0,10	215 (200 – 235)

SMG = Seco material group

Coolant = A=air D=dry E=emulsion M=mist spray

v_c = m/min

f_z = mm

a_p (mm)/ D_c (mm) = factor

a_e (mm)/ D_c (mm) = factor

All cutting data are target values

Cutting data – JH930 Side milling roughing $a_e/D_c = 0,03$

SMG		a_p / D_c	f_z						v_c
			6	8	10	12	16	20	
P1	M/E/A	1,0	0,080	0,10	0,13	0,16	0,20	0,24	455 (430 — 485)
P2	M/E/A	1,0	0,080	0,10	0,13	0,16	0,20	0,24	445 (415 — 475)
P3	M/E/A	1,0	0,080	0,10	0,13	0,16	0,20	0,22	385 (360 — 410)
P4	M/E/A	1,0	0,080	0,10	0,13	0,16	0,19	0,22	335 (315 — 360)
P5	M/E/A	1,0	0,080	0,10	0,13	0,15	0,19	0,22	320 (300 — 345)
P6	M/E/A	1,0	0,075	0,10	0,13	0,15	0,19	0,22	360 (340 — 385)
P7	M/E/A	1,0	0,075	0,10	0,13	0,15	0,19	0,22	340 (320 — 365)
P8	M/E/A	1,0	0,080	0,10	0,13	0,16	0,20	0,22	320 (300 — 345)
P11	M/E/A	1,0	0,075	0,10	0,13	0,15	0,19	0,22	330 (310 — 355)
K1	E/M/A	1,0	0,080	0,10	0,13	0,16	0,20	0,24	260 (240 — 280)
K2	E/M/A	1,0	0,080	0,10	0,13	0,15	0,19	0,22	225 (205 — 245)
K3	E/M/A	1,0	0,080	0,10	0,13	0,15	0,19	0,22	190 (175 — 205)
K4	E/M/A	0,80	0,080	0,10	0,13	0,15	0,19	0,22	185 (170 — 195)
K5	E/M/A	0,80	0,070	0,095	0,12	0,14	0,17	0,20	110 (100 — 120)
K6	E/M/A	0,80	0,080	0,10	0,13	0,15	0,19	0,22	160 (150 — 175)
K7	E/M/A	0,80	0,070	0,095	0,12	0,14	0,17	0,20	140 (130 — 150)
S1	E/M/A	0,95	0,070	0,095	0,12	0,14	0,17	0,20	80 (60 — 100)
S2	E/M/A	0,95	0,070	0,095	0,12	0,14	0,17	0,20	80 (60 — 100)
S3	E/M/A	0,50	0,055	0,070	0,090	0,11	0,14	0,18	38 (28 — 47)
S11	E/M/A	0,70	0,060	0,080	0,10	0,12	0,15	0,17	170 (140 — 200)
S12	E/M/A	0,70	0,060	0,080	0,10	0,12	0,15	0,17	130 (110 — 155)
S13	E/M/A	0,60	0,055	0,070	0,090	0,11	0,13	0,15	105 (85 — 120)
H5	M/A	1,0	0,030	0,040	0,050	0,060	0,080	0,10	255 (235 — 275)
H8	M/A	1,0	0,030	0,040	0,050	0,060	0,080	0,10	255 (235 — 275)
H21	M/A	1,0	0,030	0,040	0,050	0,060	0,080	0,10	255 (235 — 275)
H31	M/A	1,0	0,030	0,040	0,050	0,060	0,080	0,10	195 (175 — 210)

SMG = Seco material group

Coolant = A=air D=dry E=emulsion M=mist spray

v_c = m/min

f_z = mm

a_p (mm)/ D_c (mm)= factor

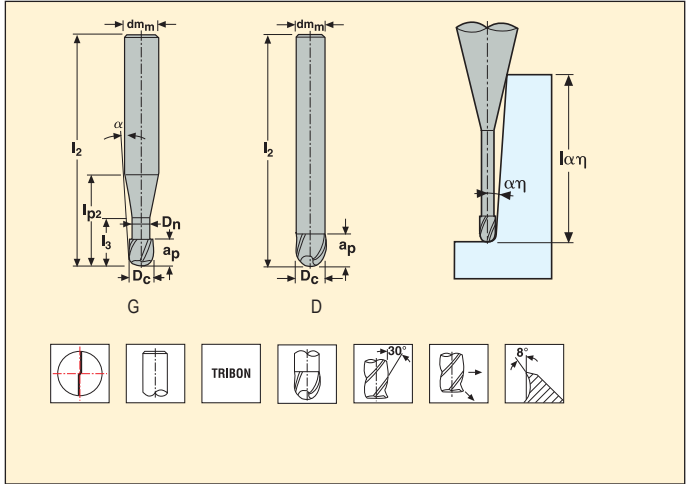
a_e (mm)/ D_c (mm)= factor

All cutting data are target values

JH970 – Solid carbide end mill – cylindrical – ball nose – two flute



Tolerances:
 $dm_m = h5$
 $D_c = 0,02/-0,04$ mm
 Radius = $\pm 0,01$ mm



Part No.	Length index	Tool shape	Dimensions in mm									Max. cut depth rel. to $\alpha\eta$ ($\alpha\eta$, ref)*					
			D_c	dm_m	a_p	l_2	l_3	l_{p2}	D_n	α°	z_n	0°	0.5°	1°	1.5°	2°	3°
970021-TRIBON	1	G	2	3	3	50	10	13,3	1,9	2,5	2	10	11	11,5	12,1	12,8	∞
970031-TRIBON	1	D	3	3	4,5	50	-	-	-	-	2	4,5	∞	∞	∞	∞	∞
970041-TRIBON	1	D	4	4	6	60	-	-	-	-	2	6	∞	∞	∞	∞	∞
970051-TRIBON	1	D	5	5	7,5	60	-	-	-	-	2	7,5	∞	∞	∞	∞	∞
970061-TRIBON	1	D	6	6	9	75	-	-	-	-	2	9	∞	∞	∞	∞	∞
970020-TRIBON	2	G	2	6	3	60	4	15,8	1,9	8	2	4	4,7	4,9	5,1	5,4	6
970025-TRIBON	2	G	2,5	6	4	60	5	15,4	2,4	7,5	2	5	5,7	6	6,2	6,5	7,3
970030-TRIBON	2	G	3	6	4,5	60	6	18,4	2,8	5,5	2	6	7,4	7,8	8,3	9	10,6
970035-TRIBON	2	G	3,5	6	5	60	7	17,8	3,2	4,5	2	7	8,8	9,4	10	10,7	12,8
970040-TRIBON	2	G	4	6	6	60	8	21,3	3,7	3	2	8	10,8	11,9	13,3	15,2	∞
970050-TRIBON	2	G	5	6	7,5	60	10	18,2	4,6	2	2	10	13,6	15	16,8	∞	∞
970060-TRIBON	2	G	6	8	9	75	12	25,9	5,6	2,5	2	12	15,8	17,4	19,4	22,2	∞
970080-TRIBON	2	D	8	8	12	75	-	-	-	-	2	12	∞	∞	∞	∞	∞
970100-TRIBON	2	D	10	10	15	80	-	-	-	-	2	15	∞	∞	∞	∞	∞
970120-TRIBON	2	D	12	12	18	90	-	-	-	-	2	18	∞	∞	∞	∞	∞
970160-TRIBON	2	D	16	16	24	100	-	-	-	-	2	24	∞	∞	∞	∞	∞
970L020-TRIBON	3	G	2	6	3	80	4	15,8	1,9	8	2	4	4,7	4,9	5,1	5,4	6
970L030-TRIBON	3	G	3	6	4,5	80	6	18,4	2,8	5,5	2	6	7,4	7,8	8,3	9	10,6
970L040-TRIBON	3	G	4	6	6	80	8	21,3	3,7	3	2	8	10,8	11,9	13,3	15,2	∞
970L050-TRIBON	3	G	5	6	7,5	100	10	18,2	4,6	2	2	10	13,6	15	16,8	∞	∞
970L060-TRIBON	3	G	6	8	9	100	12	25,9	5,6	2,5	2	12	15,8	17,4	19,4	22,2	∞
970L080-TRIBON	3	D	8	8	12	110	-	-	-	-	2	12	∞	∞	∞	∞	∞
970L100-TRIBON	3	D	10	10	15	125	-	-	-	-	2	15	∞	∞	∞	∞	∞
970L120-TRIBON	3	D	12	12	18	125	-	-	-	-	2	18	∞	∞	∞	∞	∞
970L160-TRIBON	3	D	16	16	24	150	-	-	-	-	2	24	∞	∞	∞	∞	∞

* The effective under -neck length for the various draft angles. Remark ∞ = infinity, no collision in projection length area.

Cutting data – JH970 Copy milling rough $a_e/D_c = 0,3$

SMG		a_p / D_c	f_z									v_c
			2	3	4	5	6	8	10	12	16	
P1	M	0,13	0,036	0,055	0,070	0,090	0,11	0,14	0,18	0,22	0,28	320 (280 – 365)
P2	M	0,13	0,036	0,055	0,070	0,090	0,11	0,14	0,18	0,22	0,28	315 (270 – 365)
P3	M	0,13	0,036	0,055	0,070	0,090	0,11	0,14	0,18	0,22	0,28	270 (235 – 305)
P4	M	0,13	0,036	0,055	0,070	0,090	0,11	0,14	0,18	0,22	0,28	240 (205 – 270)
P5	M	0,13	0,036	0,055	0,070	0,090	0,11	0,14	0,18	0,22	0,28	225 (195 – 255)
P6	M	0,13	0,036	0,055	0,070	0,090	0,11	0,14	0,18	0,22	0,28	255 (220 – 290)
P7	M	0,13	0,036	0,055	0,070	0,090	0,11	0,14	0,18	0,22	0,28	240 (210 – 275)
P8	M	0,13	0,036	0,055	0,070	0,090	0,11	0,14	0,18	0,22	0,28	225 (195 – 255)
P11	M	0,13	0,036	0,055	0,070	0,090	0,11	0,14	0,18	0,22	0,28	235 (205 – 265)
S11	E	0,22	0,024	0,036	0,048	0,060	0,070	0,095	0,12	0,14	0,19	140 (120 – 160)
S12	E	0,22	0,024	0,036	0,048	0,060	0,070	0,095	0,12	0,14	0,19	105 (90 – 120)
S13	E	0,22	0,022	0,034	0,046	0,055	0,070	0,090	0,11	0,13	0,17	85 (70 – 95)

Cutting data – JH970 Copy milling rough $a_e/D_c = 0,1$

SMG		a_p / D_c	f_z									v_c
			2	3	4	5	6	8	10	12	16	
M1	M	0,13	0,028	0,042	0,055	0,070	0,085	0,11	0,14	0,17	0,22	155 (135 – 175)
M2	M	0,13	0,028	0,042	0,055	0,070	0,085	0,11	0,14	0,17	0,22	125 (110 – 140)
M3	M	0,090	0,028	0,042	0,055	0,070	0,085	0,11	0,14	0,17	0,22	90 (80 – 105)
M4	M	0,090	0,028	0,042	0,055	0,070	0,085	0,11	0,14	0,17	0,22	70 (60 – 80)
M5	M	0,090	0,028	0,042	0,055	0,070	0,085	0,11	0,14	0,17	0,22	60 (50 – 65)
S1	E	0,17	0,024	0,036	0,048	0,060	0,070	0,095	0,12	0,14	0,19	70 (60 – 85)
S2	E	0,17	0,024	0,036	0,048	0,060	0,070	0,095	0,12	0,14	0,19	70 (60 – 85)
S3	E	0,11	0,022	0,032	0,044	0,055	0,065	0,090	0,11	0,13	0,18	41 (27 – 55)

SMG = Seco material group

Coolant = A=air D=dry E=emulsion M=mist spray

v_c = m/min

f_z = mm

a_p (mm)/ D_c (mm)= factor

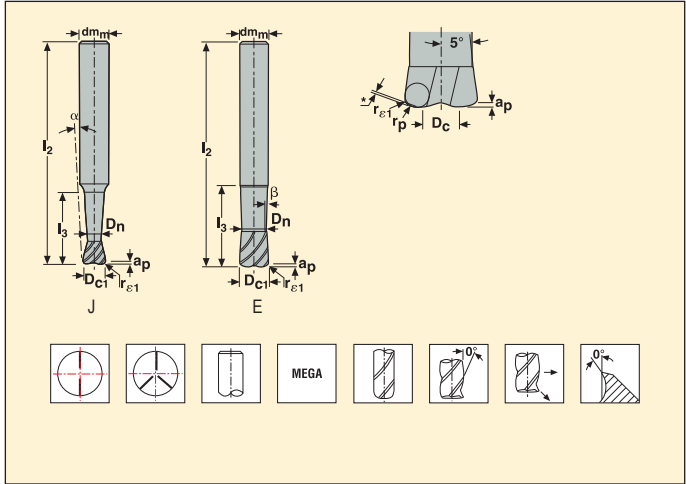
a_e (mm)/ D_c (mm)= factor

All cutting data are target values

JHF980 – Solid carbide end mill – cylindrical – high feed geometry



Tolerances:
 $dm_m = h5$
 $D_c = \frac{1}{2} D_{c1}$
 $r_{\epsilon 1} = \pm 0,05 \text{ mm}$
 $\beta = 0,5$



Part No.	Length index	Tool shape	Dimensions in mm									UTCN*	α°	z_n
			D_c	D_{c1}	dm_m	a_p	l_2	l_3	D_n	$r_{\epsilon 1}$	r_p			
980K080Z3-MEGA	1	E	4	8	8	0,4	70	12	3	0,6	0,935	0,118	–	3
980K100Z3-MEGA	1	E	5	10	10	0,45	80	15	3,8	0,8	1,176	0,232	–	3
980K120Z3-MEGA	1	E	6	12	12	0,5	80	18	4,6	1	1,417	0,266	–	3
980010-MEGA	2	J	0,5	1	6	0,07	40	3	0,36	0,07	0,127	0,028	19,5	2
980015-MEGA	2	J	0,75	1,5	6	0,1	40	4,5	0,55	0,1	0,183	0,032	14	2
980020-MEGA	2	J	1	2	6	0,15	40	6	0,7	0,15	0,269	0,04	11	2
980030-MEGA	2	J	1,5	3	6	0,2	50	9	1,1	0,2	0,366	0,059	7	2
980040-MEGA	2	J	2	4	6	0,25	60	12	1,5	0,3	0,503	0,078	4	2
980050-MEGA	2	J	2,5	5	6	0,3	60	15	1,9	0,4	0,641	0,096	2	2
980060-MEGA	2	J	3	6	8	0,35	60	18	2,2	0,5	0,778	0,118	3	2
980080-MEGA	2	E	4	8	8	0,4	70	24	3	0,6	0,935	0,156	–	2
980100-MEGA	2	E	5	10	10	0,45	80	30	3,8	0,8	1,176	0,192	–	2
980100Z3-MEGA	2	E	5	10	10	0,45	80	30	3,8	0,8	1,176	0,192	–	3
980120-MEGA	2	E	6	12	12	0,5	80	36	4,6	1	1,417	0,232	–	2
980120Z3-MEGA	2	E	6	12	12	0,5	80	36	4,6	1	1,417	0,232	–	3
980ML010-MEGA	3	J	0,5	1	6	0,07	40	5	0,36	0,07	0,127	0,028	15,5	2
980ML015-MEGA	3	J	0,75	1,5	6	0,1	40	7,5	0,55	0,1	0,183	0,032	10,5	2
980ML020-MEGA	3	J	1	2	6	0,15	40	10	0,7	0,15	0,269	0,04	8	2
980ML030-MEGA	3	J	1,5	3	6	0,2	50	15	1,1	0,2	0,366	0,059	5	2
980ML040-MEGA	3	J	2	4	6	0,25	70	20	1,5	0,3	0,503	0,078	2,5	2
980ML050-MEGA	3	J	2,5	5	6	0,3	80	25	1,9	0,4	0,641	0,096	1,5	2
980ML060-MEGA	3	J	3	6	8	0,35	80	30	2,2	0,5	0,778	0,118	2	2
980ML080-MEGA	3	E	4	8	8	0,4	80	40	3	0,6	0,935	0,156	–	2
980ML100-MEGA	3	E	5	10	10	0,45	90	50	3,8	0,8	1,176	0,192	–	2
980ML120-MEGA	3	E	6	12	12	0,5	110	60	4,6	1	1,417	0,232	–	2
980TL010-MEGA	4	J	0,5	1	6	0,07	40	7	0,36	0,07	0,127	0,028	13	2
980TL015-MEGA	4	J	0,75	1,5	6	0,1	40	10,5	0,55	0,1	0,183	0,032	8,5	2
980TL020-MEGA	4	J	1	2	6	0,15	50	14	0,7	0,15	0,269	0,04	6,5	2
980TL030-MEGA	4	J	1,5	3	6	0,2	60	21	1,1	0,2	0,366	0,059	3,5	2
980TL040-MEGA	4	J	2	4	6	0,25	80	28	1,5	0,3	0,503	0,078	2	2
980TL050-MEGA	4	J	2,5	5	6	0,3	90	35	1,9	0,4	0,641	0,096	1	2
980TL060-MEGA	4	J	3	6	8	0,35	100	42	2,2	0,5	0,778	0,118	1,5	2
980TL080-MEGA	4	E	4	8	8	0,4	100	56	3	0,6	0,935	0,156	–	2
980TL100-MEGA	4	E	5	10	10	0,45	110	70	3,8	0,8	1,176	0,192	–	2
980TL120-MEGA	4	E	6	12	12	0,5	130	84	4,6	1	1,417	0,232	–	2

* UTCN=uncut thickness

■ Stock standard. Subject to change refer to current price-and stock-list.

Cutting data – JHF980 Slotting

SMG		a _p / D _c	f _z										v _c
			0.5	0.75	1	1.5	2	2.5	3	4	5	6	
P1	E/M/A	0,090	0,032	0,050	0,065	0,10	0,13	0,16	0,20	0,26	0,32	0,38	340 (300 – 375)
P2	E/M/A	0,090	0,034	0,050	0,065	0,10	0,13	0,17	0,20	0,26	0,34	0,40	325 (290 – 360)
P3	E/M/A	0,090	0,032	0,048	0,065	0,095	0,13	0,16	0,19	0,26	0,32	0,38	285 (250 – 315)
P4	E/M/A	0,090	0,030	0,046	0,060	0,095	0,12	0,15	0,19	0,24	0,30	0,36	255 (225 – 280)
P5	E/M/A	0,090	0,030	0,046	0,060	0,090	0,12	0,15	0,18	0,24	0,30	0,36	240 (215 – 270)
P6	E/M/A	0,090	0,030	0,046	0,060	0,090	0,12	0,15	0,18	0,24	0,30	0,36	270 (240 – 300)
P7	E/M/A	0,090	0,030	0,046	0,060	0,090	0,12	0,15	0,18	0,24	0,30	0,36	255 (230 – 285)
P8	E/M/A	0,090	0,032	0,048	0,065	0,095	0,13	0,16	0,19	0,26	0,32	0,38	240 (210 – 265)
P11	E/M/A	0,090	0,030	0,046	0,060	0,090	0,12	0,15	0,18	0,24	0,30	0,36	250 (220 – 275)
M1	E/M/A	0,065	0,024	0,038	0,050	0,075	0,10	0,12	0,15	0,20	0,24	0,30	175 (150 – 195)
M2	E/M/A	0,065	0,024	0,036	0,048	0,070	0,095	0,12	0,14	0,19	0,24	0,28	140 (125 – 155)
M3	E/M/A	0,065	0,019	0,028	0,038	0,060	0,075	0,095	0,12	0,15	0,19	0,22	110 (100 – 125)
M4	E/M/A	0,065	0,017	0,026	0,034	0,050	0,070	0,085	0,10	0,14	0,17	0,20	85 (75 – 95)
M5	E/M/A	0,065	0,017	0,026	0,034	0,050	0,070	0,085	0,10	0,14	0,17	0,20	70 (60 – 80)
K1	E/M/A	0,090	0,034	0,050	0,065	0,10	0,13	0,17	0,20	0,26	0,34	0,40	185 (155 – 210)
K2	E/M/A	0,090	0,030	0,046	0,060	0,090	0,12	0,15	0,18	0,24	0,30	0,36	165 (140 – 185)
K3	E/M/A	0,090	0,030	0,046	0,060	0,090	0,12	0,15	0,18	0,24	0,30	0,36	140 (120 – 160)
K4	E/M/A	0,090	0,030	0,046	0,060	0,090	0,12	0,15	0,18	0,24	0,30	0,36	130 (115 – 150)
K5	E/M/A	0,090	0,028	0,040	0,055	0,080	0,11	0,14	0,16	0,22	0,28	0,32	80 (70 – 90)
K6	E/M/A	0,090	0,030	0,046	0,060	0,090	0,12	0,15	0,18	0,24	0,30	0,36	115 (100 – 135)
K7	E/M/A	0,090	0,028	0,040	0,055	0,080	0,11	0,14	0,16	0,22	0,28	0,32	100 (85 – 115)
S1	E	0,040	0,020	0,030	0,040	0,060	0,080	0,10	0,12	0,16	0,20	0,24	55 (44 – 65)
S2	E	0,040	0,020	0,030	0,040	0,060	0,080	0,10	0,12	0,16	0,20	0,24	55 (44 – 65)
S3	E	0,040	0,018	0,028	0,036	0,055	0,070	0,090	0,11	0,14	0,18	0,22	33 (22 – 44)
S11	E	0,040	0,018	0,028	0,036	0,055	0,070	0,090	0,11	0,14	0,18	0,22	165 (145 – 185)
S12	E	0,040	0,018	0,028	0,036	0,055	0,070	0,090	0,11	0,14	0,18	0,22	125 (110 – 145)
S13	E	0,040	0,016	0,024	0,032	0,048	0,065	0,080	0,095	0,13	0,16	0,19	100 (85 – 115)
H5	M/A/D	0,065	0,024	0,038	0,050	0,075	0,10	0,12	0,15	0,20	0,24	0,30	105 (90 – 125)
H8	M/A/D	0,065	0,024	0,034	0,046	0,070	0,095	0,12	0,14	0,19	0,24	0,28	105 (90 – 125)
H21	M/A/D	0,065	0,024	0,034	0,046	0,070	0,095	0,12	0,14	0,19	0,24	0,28	105 (90 – 125)
H31	M/A/D	0,065	0,020	0,030	0,040	0,060	0,080	0,10	0,12	0,16	0,20	0,24	85 (70 – 95)

SMG = Seco material group

Coolant = A=air D=dry E=emulsion M=mist spray

v_c = m/min

f_z = mm

a_p (mm)/D_c (mm) = factor

All cutting data are target values

Cutting data – JHF980 Side milling $a_e/D_c = 0,3$

SMG		a_p / D_c	f_z										v_c
			0.75	0.75	1	1.5	2	2.5	3	4	5	6	
P1	E/M/A	0,090	0,036	0,055	0,070	0,10	0,14	0,18	0,20	0,28	0,36	0,42	495 (440 – 550)
P2	E/M/A	0,090	0,036	0,055	0,070	0,10	0,14	0,18	0,20	0,28	0,36	0,42	485 (430 – 540)
P3	E/M/A	0,090	0,034	0,050	0,070	0,10	0,14	0,17	0,20	0,28	0,34	0,42	420 (370 – 465)
P4	E/M/A	0,090	0,034	0,050	0,070	0,10	0,14	0,17	0,20	0,28	0,34	0,40	370 (330 – 410)
P5	E/M/A	0,090	0,034	0,050	0,065	0,10	0,13	0,17	0,20	0,26	0,34	0,40	350 (315 – 390)
P6	E/M/A	0,090	0,034	0,050	0,065	0,10	0,13	0,17	0,20	0,26	0,34	0,40	395 (350 – 440)
P7	E/M/A	0,090	0,034	0,050	0,065	0,10	0,13	0,17	0,20	0,26	0,34	0,40	375 (330 – 415)
P8	E/M/A	0,090	0,034	0,050	0,070	0,10	0,14	0,17	0,20	0,28	0,34	0,42	350 (315 – 390)
P11	E/M/A	0,090	0,034	0,050	0,065	0,10	0,13	0,17	0,20	0,26	0,34	0,40	360 (320 – 400)
M1	E/M/A	0,065	0,024	0,038	0,050	0,075	0,10	0,12	0,15	0,20	0,24	0,30	250 (220 – 280)
M2	E/M/A	0,065	0,024	0,038	0,050	0,075	0,10	0,12	0,15	0,20	0,24	0,30	205 (180 – 225)
M3	E/M/A	0,065	0,022	0,032	0,042	0,065	0,085	0,11	0,13	0,17	0,22	0,26	160 (140 – 175)
M4	E/M/A	0,065	0,019	0,028	0,038	0,055	0,075	0,095	0,11	0,15	0,19	0,22	120 (105 – 135)
M5	E/M/A	0,065	0,019	0,028	0,038	0,055	0,075	0,095	0,11	0,15	0,19	0,22	100 (90 – 115)
K1	E/M/A	0,090	0,036	0,055	0,070	0,10	0,14	0,18	0,20	0,28	0,36	0,42	270 (235 – 310)
K2	E/M/A	0,090	0,034	0,050	0,065	0,10	0,13	0,17	0,20	0,26	0,34	0,40	235 (205 – 270)
K3	E/M/A	0,090	0,034	0,050	0,065	0,10	0,13	0,17	0,20	0,26	0,34	0,40	200 (170 – 230)
K4	E/M/A	0,090	0,034	0,050	0,065	0,10	0,13	0,17	0,20	0,26	0,34	0,40	190 (165 – 220)
K5	E/M/A	0,090	0,030	0,046	0,060	0,090	0,12	0,15	0,18	0,24	0,30	0,36	115 (100 – 135)
K6	E/M/A	0,090	0,034	0,050	0,065	0,10	0,13	0,17	0,20	0,26	0,34	0,40	170 (145 – 195)
K7	E/M/A	0,090	0,030	0,046	0,060	0,090	0,12	0,15	0,18	0,24	0,30	0,36	150 (130 – 170)
H5	M/A/D	0,065	0,024	0,038	0,050	0,075	0,10	0,12	0,15	0,20	0,24	0,30	155 (130 – 180)
H8	M/A/D	0,065	0,024	0,038	0,050	0,075	0,10	0,12	0,15	0,20	0,24	0,30	155 (130 – 180)
H21	M/A/D	0,065	0,024	0,038	0,050	0,075	0,10	0,12	0,15	0,20	0,24	0,30	155 (130 – 180)
H31	M/A/D	0,065	0,022	0,034	0,044	0,065	0,090	0,11	0,13	0,18	0,22	0,26	120 (100 – 135)

SMG = Seco material group

Coolant = A=air D=dry E=emulsion M=mist spray

v_c = m/min

f_z = mm

a_p (mm)/ D_c (mm) = factor

a_e (mm)/ D_c (mm) = factor

All cutting data are target values

Cutting data – J29 Slotting

SMG		a_p / D_c	f_z			v_c
			0.2	0.2	0.2	
P1	E	0,24	0,060	0,060	0,060	780 (710 — 860)
P2	E	0,24	0,065	0,065	0,065	750 (680 — 830)
P3	E	0,24	0,060	0,060	0,060	660 (590 — 720)
P4	E	0,24	0,060	0,060	0,060	580 (520 — 640)
P5	E	0,24	0,060	0,060	0,060	550 (500 — 610)
P6	E	0,24	0,055	0,055	0,055	630 (570 — 700)
P7	E	0,24	0,055	0,055	0,055	600 (540 — 660)
P8	E	0,24	0,060	0,060	0,060	550 (500 — 610)
P11	E	0,24	0,055	0,055	0,055	580 (520 — 640)
M1	E	0,24	0,065	0,065	0,065	670 (610 — 740)
M2	E	0,24	0,060	0,060	0,060	550 (500 — 610)
M3	E	0,24	0,046	0,046	0,046	445 (400 — 490)
M4	E	0,24	0,040	0,040	0,040	340 (310 — 375)
M5	E	0,24	0,040	0,040	0,040	285 (255 — 315)
K1	E	0,24	0,065	0,065	0,065	540 (490 — 600)
K2	E	0,24	0,060	0,060	0,060	480 (430 — 530)
K3	E	0,24	0,060	0,060	0,060	405 (365 — 445)
K4	E	0,24	0,060	0,060	0,060	385 (350 — 425)
K5	E	0,24	0,050	0,050	0,050	240 (215 — 265)
K6	E	0,24	0,060	0,060	0,060	340 (305 — 375)
K7	E	0,24	0,050	0,050	0,050	305 (275 — 335)
N1	E	0,24	0,080	0,080	0,080	810 (730 — 890)
N2	E	0,24	0,080	0,080	0,080	520 (465 — 570)
N3	E	0,24	0,080	0,080	0,080	345 (310 — 380)
N11	E	0,24	0,080	0,080	0,080	520 (465 — 570)
S1	E	0,24	0,040	0,040	0,040	600 (540 — 660)
S2	E	0,24	0,040	0,040	0,040	600 (540 — 660)
S3	E	0,24	0,038	0,038	0,038	600 (540 — 660)
S11	E	0,24	0,046	0,046	0,046	760 (680 — 830)
S12	E	0,24	0,046	0,046	0,046	580 (530 — 640)
S13	E	0,24	0,040	0,040	0,040	465 (420 — 510)
H3	M/A/D	0,24	0,026	0,026	0,026	350 (315 — 380)
H5	M/A/D	0,24	0,040	0,040	0,040	600 (540 — 660)
H7	M/A/D	0,24	0,026	0,026	0,026	350 (315 — 380)
H8	M/A/D	0,24	0,030	0,030	0,030	630 (570 — 690)
H11	M/A/D	0,24	0,040	0,040	0,040	770 (690 — 850)
H12	M/A/D	0,24	0,040	0,040	0,040	1250 (1125 — 1375)
H21	M/A/D	0,24	0,030	0,030	0,030	630 (570 — 690)
H31	M/A/D	0,24	0,026	0,026	0,026	485 (435 — 530)
TS1	E	0,24	0,060	0,060	0,060	550 (500 — 610)
TP1	E	0,24	0,060	0,060	0,060	550 (500 — 610)
GR1	D	0,24	0,060	0,060	0,060	550 (500 — 610)

SMG = Seco material group

Coolant = A=air D=dry E=emulsion M=mist spray

v_c = m/min

f_z = mm

a_p (mm)/ D_c (mm)= factor

All cutting data are target values

J36 – Solid carbide end mill – corner radius – cylindrical – 3 flute

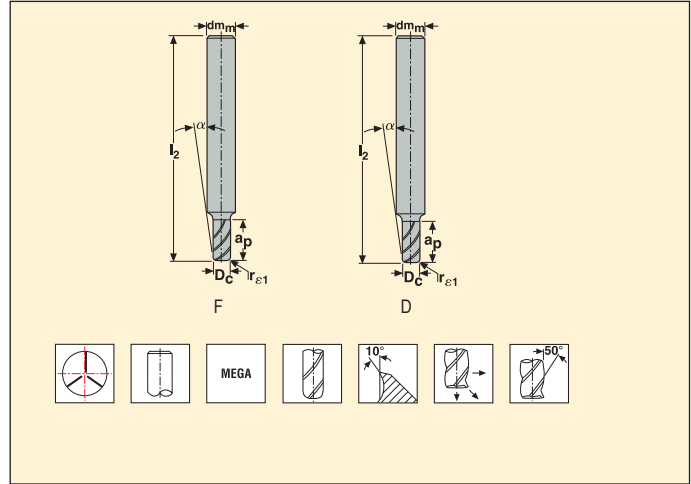


Tolerances:

$dm_m = h5$

$D_c = \varnothing 2-6 = -0,02/-0,034$, $\varnothing 8-20 = -0,02/-0,044$ mm

$r_{e1} = \varnothing 2-12 = +0,05$, $\varnothing 14-25 = +0,1$ mm



Part No.	Length index	Tool shape	Dimensions in mm				r_{e1}	α°	z_n
			D_c	dm_m	a_p	l_2			
36020	2	F	2	3	9	40	0,1	2,5	3
36030	2	F	3	3	12	40	0,1	-	3
36040	2	F	4	4	14	50	0,1	-	3
36050	2	F	5	5	20	50	0,1	-	3
36060	2	D	6	6	20	65	0,1	-	3
36080	2	D	8	8	20	65	0,2	-	3
36100	2	D	10	10	25	75	0,2	-	3
36120	2	D	12	12	25	75	0,2	-	3
36020-MEGA	2	F	2	3	9	40	0,1	-	3
36030-MEGA	2	F	3	3	12	40	0,1	-	3
36040-MEGA	2	F	4	4	14	50	0,1	-	3
36050-MEGA	2	F	5	5	20	50	0,1	-	3
36060-MEGA	2	D	6	6	20	65	0,1	-	3
36080-MEGA	2	D	8	8	20	65	0,2	-	3
36100-MEGA	2	D	10	10	25	75	0,2	-	3
36120-MEGA	2	D	12	12	25	75	0,2	-	3
36140-MEGA	2	D	14	14	30	90	0,5	-	3
36160-MEGA	2	D	16	16	30	90	0,5	-	3
36180-MEGA	2	D	18	18	35	90	0,5	-	3
36200-MEGA	2	D	20	20	40	100	0,5	-	3

Cutting data – J36 Side milling – $a_e/D_c = 0,1$

SMG		a_p / D_c	f_z											v_c	
			2	3	4	5	6	8	10	12	14	16	18		20
P1	E	1,3	0,020	0,030	0,040	0,050	0,060	0,080	0,10	0,12	0,14	0,16	0,17	0,18	215 (180 – 245)
P2	E	1,3	0,020	0,030	0,040	0,050	0,060	0,080	0,10	0,12	0,14	0,16	0,17	0,18	205 (180 – 235)
P3	E	1,3	0,020	0,030	0,040	0,050	0,060	0,080	0,10	0,12	0,14	0,15	0,16	0,17	180 (155 – 205)
P4	E	1,3	0,020	0,030	0,040	0,050	0,060	0,080	0,10	0,12	0,13	0,15	0,16	0,17	155 (135 – 180)
P5	E	1,3	0,020	0,030	0,040	0,050	0,060	0,080	0,10	0,12	0,13	0,15	0,16	0,17	150 (130 – 170)
P6	E	1,3	0,020	0,030	0,040	0,050	0,060	0,080	0,10	0,12	0,13	0,14	0,16	0,17	170 (145 – 190)
P7	E	1,3	0,020	0,030	0,040	0,050	0,060	0,080	0,10	0,12	0,13	0,14	0,16	0,17	160 (135 – 180)
P8	E	1,3	0,020	0,030	0,040	0,050	0,060	0,080	0,10	0,12	0,14	0,15	0,16	0,17	150 (130 – 170)
P11	E	1,3	0,020	0,030	0,040	0,050	0,060	0,080	0,10	0,12	0,13	0,14	0,16	0,17	155 (130 – 175)
M1	E	1,3	0,020	0,030	0,040	0,050	0,060	0,080	0,10	0,12	0,14	0,16	0,17	0,18	130 (105 – 155)
M2	E	1,3	0,020	0,030	0,040	0,050	0,060	0,080	0,10	0,12	0,13	0,15	0,16	0,17	105 (85 – 125)
M3	E	1,0	0,016	0,024	0,032	0,040	0,048	0,065	0,080	0,095	0,11	0,12	0,13	0,13	85 (65 – 100)
M4	E	0,80	0,014	0,020	0,028	0,034	0,042	0,055	0,070	0,080	0,090	0,10	0,11	0,12	65 (50 – 80)
M5	E	0,80	0,014	0,020	0,028	0,034	0,042	0,055	0,070	0,080	0,090	0,10	0,11	0,12	55 (42 – 65)
K1	E	1,3	0,020	0,030	0,040	0,050	0,060	0,080	0,10	0,12	0,14	0,16	0,17	0,18	170 (145 – 195)
K2	E	1,3	0,020	0,030	0,040	0,050	0,060	0,080	0,10	0,12	0,13	0,15	0,16	0,17	145 (125 – 170)
K3	E	1,3	0,020	0,030	0,040	0,050	0,060	0,080	0,10	0,12	0,13	0,15	0,16	0,17	125 (105 – 140)
K4	E	1,3	0,020	0,030	0,040	0,050	0,060	0,080	0,10	0,12	0,13	0,15	0,16	0,17	120 (100 – 135)
K5	E	1,3	0,018	0,026	0,036	0,044	0,055	0,070	0,090	0,11	0,12	0,13	0,14	0,15	70 (60 – 85)
K6	E	1,3	0,020	0,030	0,040	0,050	0,060	0,080	0,10	0,12	0,13	0,15	0,16	0,17	105 (90 – 120)
K7	E	1,3	0,018	0,026	0,036	0,044	0,055	0,070	0,090	0,11	0,12	0,13	0,14	0,15	95 (80 – 105)
N1	E	1,4	0,024	0,036	0,048	0,060	0,070	0,095	0,12	0,14	0,17	0,19	0,22	0,24	1275 (1050 – 1475)
N2	E	1,4	0,024	0,036	0,048	0,060	0,070	0,095	0,12	0,14	0,17	0,19	0,22	0,24	820 (680 – 950)
S1	E	1,0	0,010	0,015	0,020	0,024	0,030	0,040	0,050	0,060	0,065	0,075	0,080	0,085	80 (70 – 95)
S2	E	1,0	0,010	0,015	0,020	0,024	0,030	0,040	0,050	0,060	0,065	0,075	0,080	0,085	80 (70 – 110)
S3	E	1,0	0,0090	0,014	0,018	0,022	0,028	0,036	0,046	0,055	0,060	0,065	0,075	0,080	48 (36 – 60)
S11	E	1,0	0,015	0,024	0,030	0,038	0,046	0,060	0,075	0,090	0,10	0,11	0,12	0,13	155 (140 – 175)
S12	E	1,0	0,015	0,024	0,030	0,038	0,046	0,060	0,075	0,090	0,10	0,11	0,12	0,13	120 (105 – 135)
S13	E	0,85	0,013	0,020	0,026	0,034	0,040	0,055	0,065	0,080	0,090	0,10	0,11	0,11	95 (85 – 110)
TS1	A	1,4	0,024	0,036	0,048	0,060	0,070	0,095	0,12	0,14	0,16	0,18	0,19	0,20	680 (610 – 750)
TP1	A	1,4	0,024	0,036	0,048	0,060	0,070	0,095	0,12	0,14	0,16	0,18	0,19	0,20	550 (475 – 610)

SMG = Seco material group

Coolant = A=air D=dry E=emulsion M=mist spray

v_c = m/min

f_z = mm

a_p (mm)/ D_c (mm)= factor

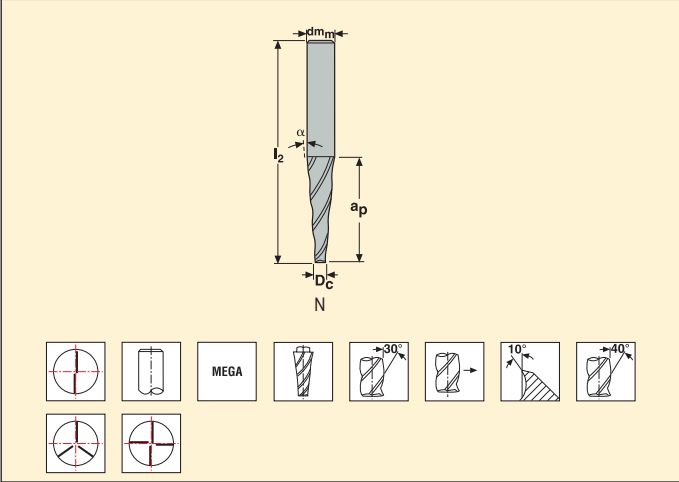
a_e (mm)/ D_c (mm)= factor

All cutting data are target values

HK/HKM – Solid carbide tapered end mill 1° – cylindrical – multi flute



Tolerances:
 $D_c = HKM + 0,07 / +0,03$ HK + 0,1 / 0 mm.
 $\alpha = +/- 0,1^\circ$
 $dm_m = h5$

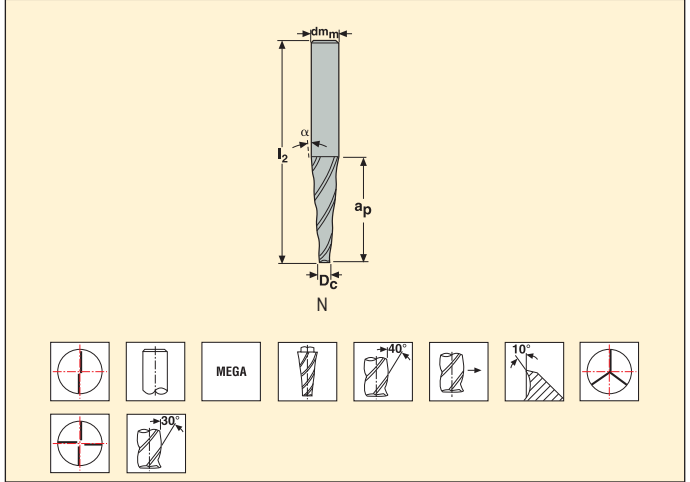


Part No.	Length index	Tool shape	Dimensions in mm				α°	z_n
			D_c	dm_m	a_p	l_2		
HKM010-020-MEGA	2	N	2	3	10	40	1	2
HK010-040-MEGA	2	N	4	5	20	60	1	3
HK010-060-MEGA	2	N	6	8	30	75	1	3
HK010-080-MEGA	2	N	8	10	30	80	1	4
HK010-100-MEGA	2	N	10	12	30	80	1	4

HK/HKM – Solid carbide tapered end mill 2° – cylindrical – multi flute



Tolerances:
 $D_c = \text{HKM}+0,07/+0,03 \text{ HK}+0,1/0 \text{ mm.}$
 $\alpha^\circ = +/- 0,1^\circ$
 $dm_m = h5$

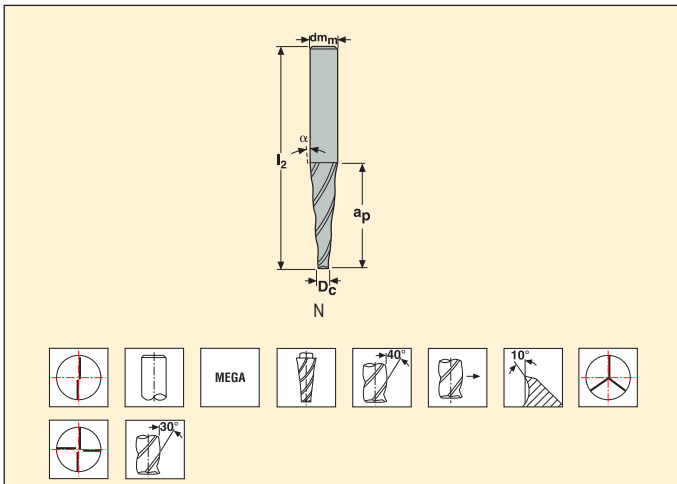


Part No.	Length index	Tool shape	Dimensions in mm				α°	z_n
			D_c	dm_m	a_p	l_2		
HKM020-010-MEGA	2	N	1	3	4	40	2	2
HKM020-020-MEGA	2	N	2	3	10	40	2	2
HK020-040-MEGA	2	N	4	6	20	65	2	3
HK020-050-MEGA	2	N	5	8	30	75	2	3
HK020-100-MEGA	2	N	10	12	28	80	2	4

HK/HKM – Solid carbide tapered end mill 3° – cylindrical – multi flute



Tolerances:
 $D_c = HKM + 0,07 / + 0,03 \text{ HK} + 0,1 / 0 \text{ mm}$
 $\alpha^\circ = + / - 0,1^\circ$
 $dm_m = h5$

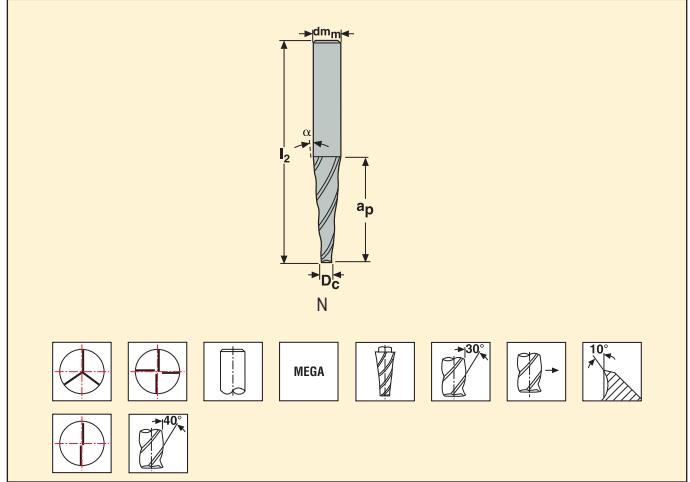


Part No.	Length index	Tool shape	Dimensions in mm				α°	z_n
			D_c	dm_m	a_p	l_2		
HKM030-010-MEGA	2	N	1	3	4	40	3	2
HKM030-015-MEGA	2	N	1,5	3	6	40	3	2
HK030-025-MEGA	2	N	2,5	6	20	65	3	3
HK030-033-MEGA	2	N	3	8	30	75	3	3
HK030-065-MEGA	2	N	6	12	55	110	3	3
HK030-083-MEGA	2	N	8	12	30	80	3	4

HK/HKM - Solid carbide tapered end mill 5° - cylindrical - multi flute



Tolerances:
 $D_c = \text{HKM} + 0,07 / + 0,03 \text{ HK} + 0,1 / 0 \text{ mm}$
 $\alpha^\circ = +/- 0,1^\circ$
 $dm_m = h5$

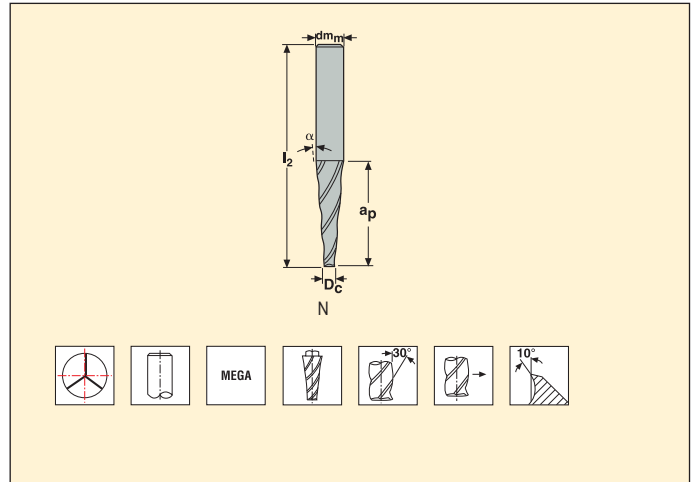


Part No.	Length index	Tool shape	Dimensions in mm				α°	Z_n
			D_c	dm_m	a_p	l_2		
HKM050-010-MEGA	2	N	1	3	4	40	5	2
HKM050-015-MEGA	2	N	1,5	3	6	40	5	2
HKM050-020-MEGA	2	N	2	4	10	50	5	2
HKM050-025-MEGA	2	N	2,5	5	10	50	5	2
HK050-025-MEGA	2	N	2,5	6	20	65	5	3
HK050-032-MEGA	2	N	3	8	28	70	5	3
HK050-0420-MEGA	2	N	4	8	22	65	5	3
HK050-050-MEGA	2	N	5	12	40	100	5	3
HK050-063-MEGA	2	N	6	12	32	90	5	3
HK050-065-MEGA	2	N	6	16	55	110	5	3
HK050-103-MEGA	2	N	10	16	32	90	5	4
HK050-105-MEGA	2	N	10	20	55	115	5	4

HK – Solid carbide tapered end mill 7° – cylindrical – three flute



Tolerances:
 $dm_m = h5$
 $D_c = +0,1/0$ mm
 $\alpha^\circ = \pm 0,1^\circ$

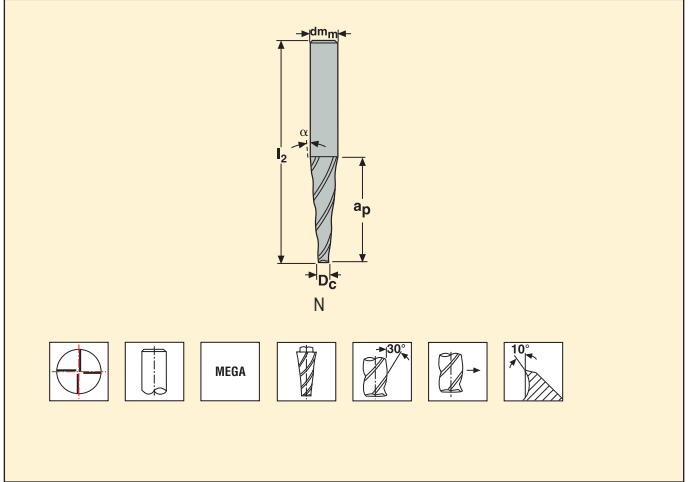


Part No.	Length index	Tool shape	Dimensions in mm				α°	z_n
			D_c	dm_m	a_p	l_2		
HK070-025-MEGA	2	N	2,5	8	22	65	7	3
HK070-050-MEGA	2	N	5	12	28	80	7	3

HK – Solid carbide tapered end mill 8° – cylindrical – four flute



Tolerances:
 $dm_m = h5$
 $D_c = +0, 1/0 \text{ mm}$
 $\alpha^\circ = \pm 0, 1^\circ$

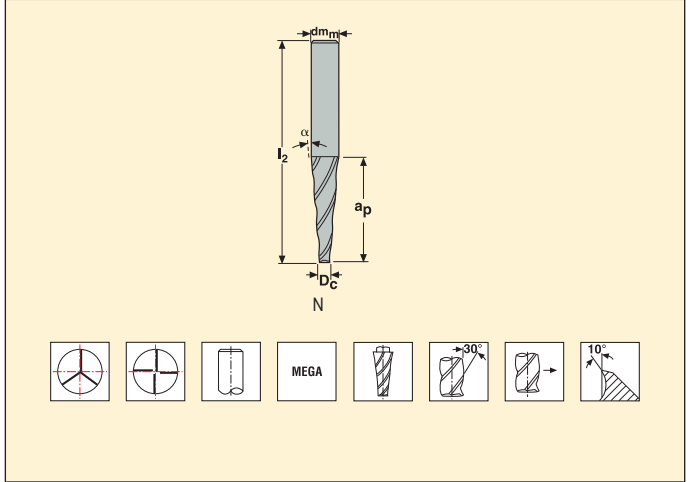


Part No.	Length index	Tool shape	Dimensions in mm				α°	Z_n
			D_c	dm_m	a_p	l_2		
HK080-083-MEGA	2	N	8	18	35	90	8	4

HK – Solid carbide tapered end mill 15° MEGA or UNCOATED – cylindrical – multi flute



Tolerances:
 $dm_m = h5$
 $D_c = +0, 1/0 \text{ mm}$
 $\alpha^\circ = +/- 0, 1^\circ$

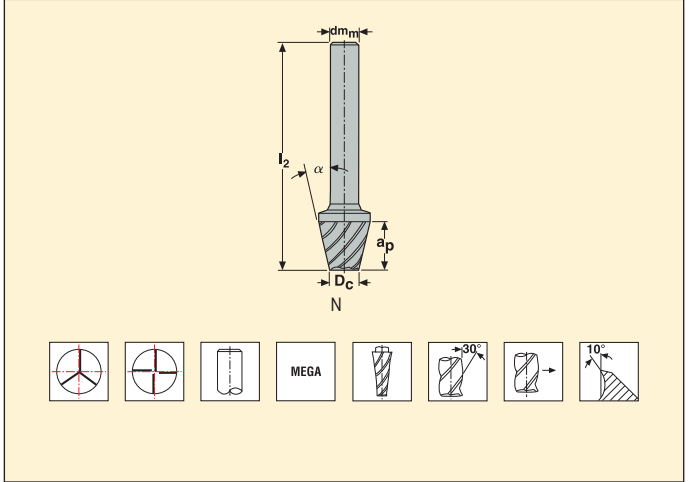


Part No.	Length index	Tool shape	Dimensions in mm				α°	z_n
			D_c	dm_m	a_p	l_2		
HK150-025	2	N	2,5	14	20	80	15	3
HK150-040	2	N	4	12	15	65	15	3
HK150-0651	2	N	6,5	12	10	65	15	3
HK150-0652	2	N	6,5	20	25	90	15	3
HK150-080	2	N	8	20	20	80	15	4
HK150-025-MEGA	2	N	2,5	14	20	80	15	3
HK150-040-MEGA	2	N	4	12	15	65	15	3
HK150-0651-MEGA	2	N	6,5	12	10	65	15	3
HK150-0652-MEGA	2	N	6,5	20	25	90	15	3
HK150-080-MEGA	2	N	8	20	20	80	15	4

HK - Tapered end mill 30° - MEGA or UNCOATED - cylindrical - multi flute



Tolerances:
 $dm_m = h5$
 $D_c = +0, 1/0$ mm
 $\alpha^\circ = \pm 0, 1^\circ$

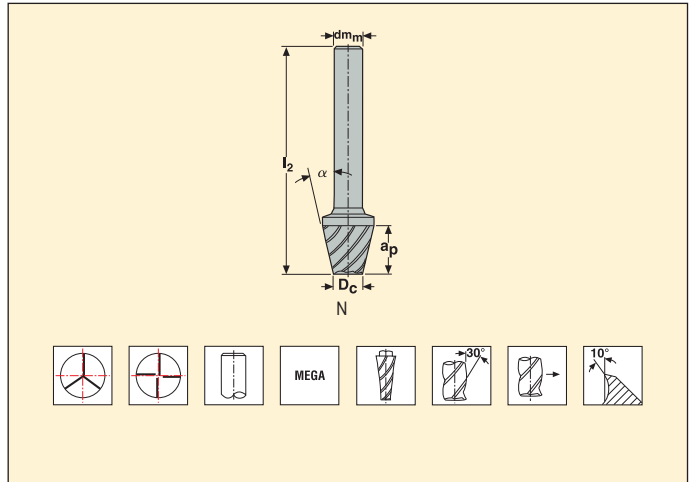


Part No.	Length index	Tool shape	Dimensions in mm				α°	Z_n
			D_c	dm_m	a_p	l_2		
HK300-025	2	N	2,5	10	10	75	30	3
HK300-045	2	N	4,5	16	16	90	30	4
HK300-025-MEGA	2	N	2,5	10	10	75	30	3
HK300-045-MEGA	2	N	4,5	16	16	90	30	4

HK - Solid carbide tapered end mill 45° - MEGA or UNCOATED - cylindrical - multi flute



Tolerances:
 $dm_m = h5$
 $D_c = +0,1/0 \text{ mm}$
 $\alpha^\circ = +/- 0,1^\circ$



Part No.	Length index	Tool shape	Dimensions in mm				α°	z_n
			D_c	dm_m	a_p	l_2		
HK450-025	2	N	2,5	12	10	75	45	3
HK450-045	2	N	4,5	16	16	90	45	4
HK450-025-MEGA	2	N	2,5	12	10	75	45	3
HK450-045-MEGA	2	N	4,5	16	16	90	45	4

Cutting data – TDM Copy milling roughing $a_e/D_c = 0,08$

SMG		a_p / D_c	f_z					v_c
			3	4	6	8	10	
P1	E	0,15	0,020	0,026	0,040	0,055	0,065	440 (395 — 490)
P2	E	0,15	0,020	0,028	0,042	0,055	0,070	430 (385 — 475)
P3	E	0,15	0,019	0,026	0,038	0,050	0,065	370 (330 — 410)
P4	E	0,15	0,019	0,026	0,038	0,050	0,065	325 (290 — 360)
P5	E	0,15	0,019	0,024	0,038	0,050	0,060	310 (280 — 345)
P6	E	0,15	0,018	0,024	0,036	0,050	0,060	350 (310 — 385)
P7	E	0,15	0,018	0,024	0,036	0,050	0,060	330 (295 — 365)
P8	E	0,15	0,019	0,026	0,038	0,050	0,065	310 (280 — 345)
P11	E	0,15	0,018	0,024	0,036	0,050	0,060	320 (285 — 355)
M1	E	0,12	0,018	0,024	0,036	0,048	0,060	280 (245 — 320)
M2	E	0,12	0,017	0,022	0,034	0,044	0,055	225 (195 — 255)
M3	E	0,12	0,017	0,022	0,034	0,044	0,055	170 (150 — 195)
M4	E	0,12	0,015	0,019	0,030	0,038	0,048	130 (110 — 145)
M5	E	0,12	0,015	0,019	0,030	0,038	0,048	105 (90 — 120)
K1	E	0,19	0,024	0,032	0,048	0,065	0,080	335 (300 — 370)
K2	E	0,19	0,022	0,028	0,044	0,060	0,070	290 (260 — 320)
K3	E	0,19	0,022	0,028	0,044	0,060	0,070	245 (220 — 270)
K4	E	0,12	0,013	0,018	0,026	0,036	0,044	220 (195 — 245)
K5	E	0,12	0,012	0,016	0,024	0,032	0,040	130 (115 — 145)
K6	E	0,12	0,013	0,018	0,026	0,036	0,044	195 (175 — 215)
K7	E	0,12	0,012	0,016	0,024	0,032	0,040	165 (150 — 185)
N1	E	0,19	0,030	0,040	0,060	0,080	0,10	2350 (2050 — 2650)
N2	E	0,12	0,026	0,036	0,055	0,070	0,090	1475 (1300 — 1650)
N3	E	0,12	0,026	0,036	0,055	0,070	0,090	980 (860 — 1100)
N11	E	0,12	0,020	0,026	0,040	0,055	0,065	640 (560 — 720)
S11	E	0,12	0,017	0,022	0,034	0,046	0,055	205 (160 — 245)
S12	E	0,12	0,017	0,022	0,034	0,046	0,055	155 (125 — 185)
S13	E	0,12	0,015	0,020	0,030	0,040	0,050	120 (95 — 145)
TS1	A	0,19	0,030	0,040	0,060	0,080	0,10	1325 (1225 — 1425)
TP1	A	0,19	0,030	0,040	0,060	0,080	0,10	1125 (1025 — 1225)

SMG = Seco material group

Coolant = A=air D=dry E=emulsion M=mist spray

v_c = m/min

f_z = mm

a_p (mm)/ D_c (mm)= factor

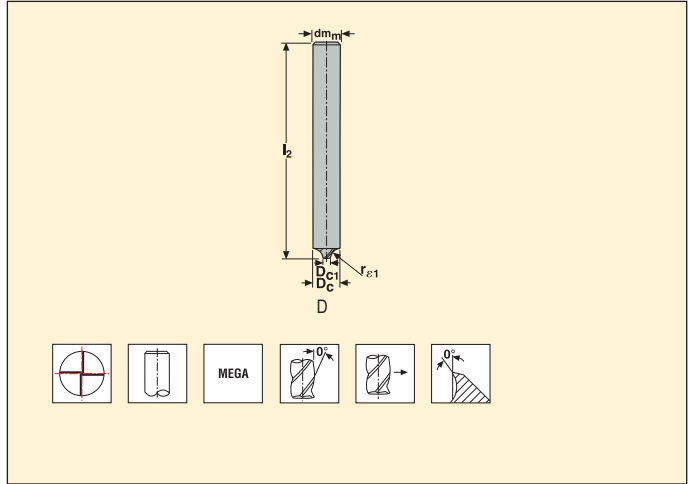
a_e (mm)/ D_c (mm)= factor

All cutting data are target values

V3I – Solid carbide – cylindrical – concave cutter – four flute



Tolerances:
 $dm_m = h5$
 $D_c = -0,02 - 0,04 \text{ mm}$
 $r_{e1} = +/- 0,02 \text{ mm}$



Part No.	Length index	Tool shape	Dimensions in mm				r_{e1}	z_n
			D_{c1}	D_c	dm_m	l_2		
31050-MEGA	2	D	5	6	6	65	0,5	4
31100-MEGA	2	D	4	6	6	65	1	4
31150-MEGA	2	D	5	8	8	75	1,5	4
31200-MEGA	2	D	4	8	8	75	2	4
31250-MEGA	2	D	5	10	10	75	2,5	4
31300-MEGA	2	D	4	10	10	75	3	4
31350-MEGA	2	D	5	12	12	75	3,5	4
31400-MEGA	2	D	4	12	12	75	4	4
31500-MEGA	2	D	6	16	16	75	5	4
31600-MEGA	2	D	8	20	20	80	6	4
31800-MEGA	2	D	9	25	25	75	8	4
31999-MEGA	2	D	8	28	25	80	10	4

Cutting data – V31 Side milling finishing $a_p/D_c = 0,024$

SMG		a_p / D_c	f_z								v_c
			6	8	10	12	16	20	25	28	
P1	E/M/A	0,24	0,024	0,032	0,040	0,048	0,065	0,080	0,095	0,10	290 (195 – 310)
P2	E/M/A	0,24	0,024	0,034	0,042	0,050	0,065	0,080	0,095	0,10	280 (190 – 305)
P3	E/M/A	0,24	0,024	0,032	0,040	0,046	0,060	0,075	0,090	0,095	240 (165 – 260)
M1	E/M/A	0,24	0,024	0,034	0,042	0,050	0,065	0,080	0,095	0,10	255 (170 – 270)
M2	E/M/A	0,24	0,022	0,030	0,038	0,046	0,060	0,075	0,085	0,095	205 (135 – 220)
K1	E/M/A	0,24	0,022	0,030	0,038	0,046	0,060	0,075	0,085	0,095	205 (135 – 220)
K2	E/M/A	0,24	0,020	0,028	0,034	0,040	0,055	0,065	0,080	0,085	175 (120 – 190)
N1	E/M/A	0,24	0,022	0,030	0,038	0,046	0,060	0,075	0,085	0,095	315 (215 – 340)
N2	E/M/A	0,24	0,022	0,030	0,038	0,046	0,060	0,075	0,085	0,095	205 (135 – 220)
N3	E/M/A	0,24	0,022	0,030	0,038	0,046	0,060	0,075	0,085	0,095	135 (90 – 145)
S1	E/M/A	0,24	0,024	0,032	0,040	0,048	0,065	0,080	0,095	0,10	205 (140 – 220)
S2	E/M/A	0,24	0,024	0,032	0,040	0,048	0,065	0,080	0,095	0,10	205 (140 – 220)
S3	E/M/A	0,24	0,022	0,030	0,038	0,046	0,060	0,075	0,085	0,095	205 (135 – 220)
S11	E/M/A	0,24	0,022	0,030	0,038	0,046	0,060	0,075	0,085	0,095	265 (180 – 285)
H3	M/A	—	—	—	—	—	—	—	—	—	—
TS1	A/D	0,24	0,022	0,030	0,038	0,046	0,060	0,075	0,085	0,095	205 (135 – 220)
TP1	A/D	0,24	0,022	0,030	0,038	0,046	0,060	0,075	0,085	0,095	205 (135 – 220)
GR1	A/D	0,24	0,022	0,030	0,038	0,046	0,060	0,075	0,085	0,095	205 (135 – 220)

SMG = Seco material group

Coolant = A=air D=dry E=emulsion M=mist spray

v_c = m/min

f_z = mm

a_p (mm)/ D_c (mm)= factor

All cutting data are target values

JM905/JM920 – Solid carbide end mill - cylindrical - 90° sharp and corner radius - Mini – z_n2 and z_n4



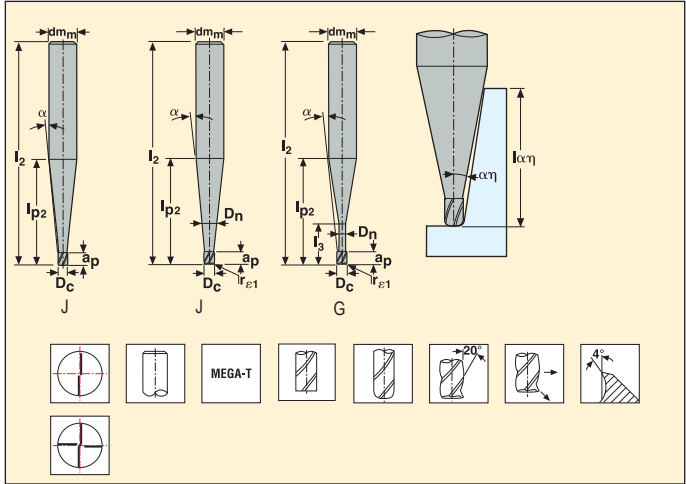
Tolerances:

Runout < 0,005 mm

dm_m=h5

D_c=-0,01/-0,02 mm

r_{ε1}=+/-0,02 mm



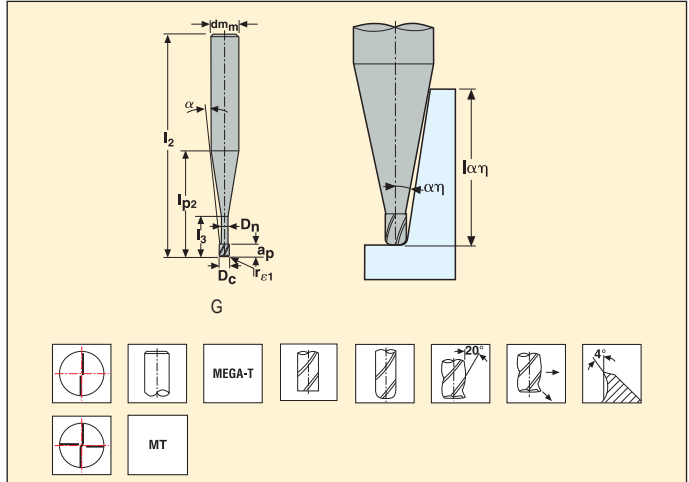
Part No.	Length index	Tool shape	Dimensions in mm											Max. cut depth rel. to αη (l _{αη} , ref)*						
			D _c	dm _m	a _p	l ₂	l ₃	l _{p2}	D _n	r _{ε1}	α°	β	z _n	0°	0.5°	1°	1.5°	2°	3°	
			9050010-MEGA-T	1	J	0,1	3	0,15	40	–	5,7	–	–	14,5	–	2	0,15	0,3	0,3	0,3
9050015-MEGA-T	1	J	0,15	3	0,25	40	–	5,7	–	–	14	–	2	0,25	0,4	0,4	0,4	0,4	0,4	0,4
905002-MEGA-T	1	J	0,2	3	0,3	40	–	5,7	–	–	14	–	2	0,3	0,5	0,5	0,5	0,5	0,5	0,5
905003-MEGA-T	1	J	0,3	3	0,45	40	–	5,6	–	–	13,5	–	2	0,45	0,6	0,6	0,7	0,7	0,7	0,8
905004-MEGA-T	1	J	0,4	3	0,6	40	–	5,6	–	–	13	–	2	0,6	0,8	0,8	0,8	0,9	0,9	0,9
905005-MEGA-T	1	J	0,5	3	0,7	40	–	5,5	–	0,05	13	–	2	0,7	0,9	0,9	0,9	1	1,1	1,1
905006-MEGA-T	1	J	0,6	3	0,9	40	–	5,5	–	0,05	12,5	–	2	0,9	1,1	1,1	1,2	1,2	1,3	1,3
905008-MEGA-T	1	J	0,8	3	1,2	40	–	5,5	–	0,05	11,5	–	2	1,2	1,4	1,4	1,5	1,6	1,7	1,7
905010-MEGA-T	1	J	1	3	1,5	40	–	5,4	–	0,1	11	–	2	1,5	1,7	1,8	1,8	1,9	2	2
905012-MEGA-T	1	J	1,2	3	1,8	40	–	5,3	–	0,1	10	–	2	1,8	2	2,1	2,2	2,2	2,4	2,4
905015-MEGA-T	1	J	1,5	3	2,2	40	–	5,1	–	0,15	8,5	–	2	2,2	2,4	2,5	2,6	2,7	2,9	2,9
920ML005-MEGA-T	2	G	0,5	6	0,7	50	1,5	17,2	0,45	0,05	9,5	–	2	1,3	1,4	1,5	1,6	1,7	1,9	1,9
920ML006-MEGA-T	2	G	0,6	6	0,9	50	2	17,4	0,55	0,05	9	–	2	1,8	1,9	2	2,2	2,3	2,6	2,6
920ML008-MEGA-T	2	G	0,8	6	1,2	50	2,5	17,3	0,75	0,05	9	–	2	2,3	2,5	2,6	2,8	2,9	3,3	3,3
920ML010-MEGA-T	2	G	1	6	1,5	50	4	17	0,95	0,1	8,5	–	2	3,8	4	4,2	4,4	4,7	5,2	5,2
920ML012-MEGA-T	2	G	1,2	6	1,8	50	4,5	17	1,15	0,1	8,5	–	2	4,3	4,8	4,8	5	5,3	5,9	5,9
905SL015-MEGA-T	4	G	1,5	3	2,2	60	16	19,1	1,4	0,15	2,5	–	2	15,9	16,4	17	17,6	18,3	∞	∞
920ML015-MEGA-T	2	G	1,5	6	2,2	50	5	15,8	1,4	0,15	8,5	–	2	4,9	5,1	5,4	5,6	5,9	6,5	6,5
920ML018-MEGA-T	2	G	1,8	6	2,7	50	5	13,1	1,7	0,15	9,5	–	2	4,9	5	5,2	5,4	5,6	6,1	6,1
905SL020-MEGA-T	4	G	2	3	2,2	60	20	22,1	1,9	0,15	1,5	–	2	19,9	20,6	21,3	∞	∞	∞	∞
920ML020-MEGA-T	2	G	2	6	2,2	50	6	14,3	1,9	0,15	8,5	–	2	5,9	6,1	6,3	6,6	6,8	7,4	7,4
JM905008G2R005.0Z4-MT	2	G	0,8	3	1,2	40	2	12	1	0,05	5,5	6,9	4	2,3	2,5	2,7	3	3,3	4,2	4,2
JM920008G2R005.0Z4-MT	2	G	0,8	6	1,2	50	2	14	1	0,05	11,0	13,0	4	2,3	2,4	2,5	2,6	2,7	3	3
JM905010G2R010.0Z4-MT	2	G	1	3	1,5	40	4	12	1	0,1	5,0	7,5	4	3,8	4,1	4,4	4,8	5,2	6,4	6,4
JM920010G2R010.0Z4-MT	2	G	1	6	1,5	50	4	14	1	0,1	10,5	14,2	4	3,8	3,9	4,1	4,3	4,4	4,8	4,8
JM905012G2R010.0Z4-MT	2	G	1,2	3	1,8	40	4	12	1	0,1	4,5	7,2	4	4,3	4,6	5	5,5	6	7,5	7,5
JM920012G2R010.0Z4-MT	2	G	1,2	6	1,8	50	4	13	1	0,1	10,5	15,2	4	4,3	4,4	4,6	4,8	5	5,4	5,4
JM905015G2R015.0Z4-MT	2	G	1,5	3	2,2	40	5	11	1	0,15	4,0	7,3	4	4,8	5,2	5,6	6,1	6,7	8,3	8,3
JM920015G2R015.0Z4-MT	2	G	1,5	6	2,2	50	5	14	1	0,15	9,5	14,3	4	4,8	5	5,2	5,4	5,6	6,1	6,1
JM905020G2R015.0Z4-MT	2	G	2	3	2,2	40	6	12	2	0,15	2,5	5,1	4	5,8	6,5	7,3	8,3	9,7	∞	∞
JM920020G2R015.0Z4-MT	2	G	2	6	2,2	50	6	14	2	0,15	8,5	14,5	4	5,8	6	6,2	6,5	6,7	7,3	7,3

* The effective under -neck length for the various draft angles. Remark ∞ = infinity, no collision in projection length area.

JM905/JM920 – Solid carbide end mill sharp and with corner radius – multi flute – z_n2 and z_n4



Tolerances:
 Runout < 0,005 mm
 $dm_m=h5$
 $D_c=0,01/-0,02$ mm.
 $r_{e1}=+/-0,02$ mm



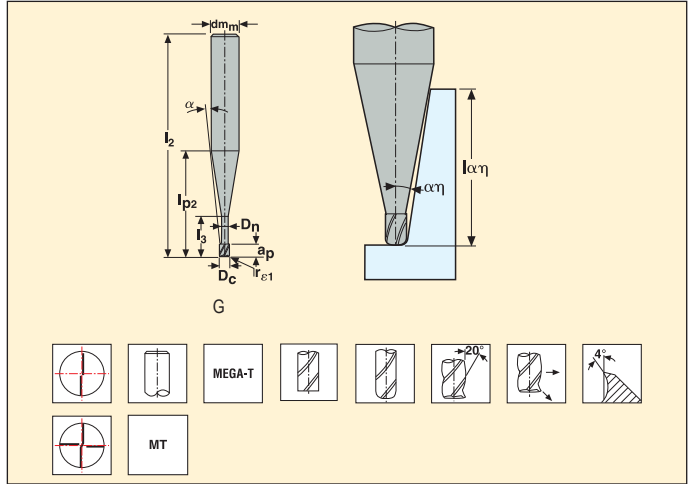
Part No.	Length index	Tool shape	Dimensions in mm									α°	β	z_n	Max. cut depth rel. to $\alpha\eta$ ($\alpha\eta$, ref)*					
			D_c	dm_m	a_p	l_2	l_3	l_{p2}	D_n	r_{e1}	0°				0.5°	1°	1.5°	2°	3°	
905L005-MEGA-T	3	G	0,5	3	0,7	40	2,5	7,4	0,45	0,05	10	-	2	2,3	2,4	2,5	2,5	2,6	2,9	
920TL005-MEGA-T	3	G	0,5	6	0,7	50	3,5	17,8	0,45	0,05	9	-	2	3,3	3,5	3,7	3,8	4,1	4,6	
905L006-MEGA-T	3	G	0,6	3	0,9	40	3	7,7	0,55	0,05	9	-	2	2,8	2,9	3	3,1	3,2	3,5	
920TL006-MEGA-T	3	G	0,6	6	0,9	50	4	16,8	0,55	0,05	9,5	-	2	3,8	4	4,2	4,4	4,6	5,1	
905L008-MEGA-T	3	G	0,8	3	1,2	40	4	8,3	0,75	0,05	8	-	2	3,8	3,9	4,1	4,2	4,4	4,7	
920TL008-MEGA-T	3	G	0,8	6	1,2	50	5,5	16,9	0,75	0,05	9	-	2	5,3	5,5	5,7	6	6,3	6,9	
905L010-MEGA-T	3	G	1	3	1,5	40	5	8,9	0,95	0,1	6,5	-	2	4,8	5	5,1	5,3	5,5	5,9	
920TL010-MEGA-T	3	G	1	6	1,5	50	7	17,2	0,95	0,1	8,5	-	2	6,8	7	7,3	7,6	7,9	8,6	
905L012-MEGA-T	3	G	1,2	3	1,8	40	6	9,5	1,15	0,1	5,5	-	2	5,8	6	6,2	6,4	6,7	7,2	
920TL012-MEGA-T	3	G	1,2	6	1,8	50	8	16,6	1,15	0,1	8,5	-	2	7,8	8	8,3	8,6	8,9	9,5	
905L015-MEGA-T	3	G	1,5	3	2,2	40	7,5	10,6	1,4	0,15	4,5	-	2	7,4	7,6	7,9	8,2	8,5	9,2	
920TL015-MEGA-T	3	G	1,5	6	2,2	50	10	18,7	1,4	0,15	7	-	2	9,9	10,2	10,6	10,9	11,4	12,3	
920TL018-MEGA-T	3	G	1,8	6	2,7	50	10	18,1	1,7	0,15	7	-	2	9,9	10,2	10,6	10,9	11,4	12,3	
920TL020-MEGA-T	3	G	2	6	2,2	50	12	19,7	1,9	0,15	6	-	2	11,9	12,3	12,7	13,2	13,7	14,8	
905XL005-MEGA-T	4	G	0,5	3	0,7	40	4	8,9	0,45	0,05	8,5	-	2	3,8	3,9	4,1	4,2	4,4	4,7	
905XL006-MEGA-T	4	G	0,6	3	0,9	40	5	9,7	0,55	0,05	7,5	-	2	4,8	5	5,1	5,3	5,5	6	
905XL008-MEGA-T	4	G	0,8	3	1,2	40	7	11,3	0,75	0,05	6	-	2	6,8	7	7,3	7,5	7,8	8,4	
905XL010-MEGA-T	4	G	1	3	1,5	40	8,5	12,4	0,95	0,1	5	-	2	8,3	8,6	8,9	9,2	9,5	10,3	
920SL010-MEGA-T	4	G	1	6	1,5	50	10	19,5	0,95	0,1	7,5	-	2	9,8	10,1	10,5	10,8	11,3	12,2	
905XL015-MEGA-T	4	G	1,5	3	2,2	60	12	15,1	1,4	0,15	3	-	2	11,9	12,3	12,7	13,2	13,7	∞	
920SL015-MEGA-T	4	G	1,5	6	2,2	50	15	23,7	1,4	0,15	5,5	-	2	14,9	15,4	15,9	16,5	17,1	18,5	
920SL018-MEGA-T	4	G	1,8	6	2,7	50	15	23,1	1,7	0,15	5,5	-	2	14,9	15,4	15,9	16,5	17,1	18,5	
905XL020-MEGA-T	4	G	2	3	2,2	60	16	18,1	1,9	0,15	2	-	2	15,9	16,4	17	17,6	∞	∞	
920SL020-MEGA-T	4	G	2	6	2,2	50	18	25,7	1,9	0,15	4,5	-	2	17,9	18,5	19,1	19,8	20,6	22,2	
JM920008G4R005.0Z4-MT	4	G	0,8	6	1,2	50	6	14	1	0,05	11,0	17,4	4	5,3	5,5	5,6	5,8	6	6,4	
JM905008G4R005.0Z4-MT	4	G	0,8	3	1,2	40	6	12	1	0,05	5,5	10,2	4	5,3	5,6	5,9	6,2	6,6	7,6	
JM905010G4R010.0Z4-MT	4	G	1	3	1,5	40	7	12	1	0,1	5,0	12,2	4	6,8	7,1	7,4	7,8	8,1	9	
JM905012G4R010.0Z4-MT	4	G	1,2	3	1,8	40	8	12	1	0,1	4,5	14,0	4	7,8	8,1	8,4	8,7	9,1	9,9	
JM920010G4R010.0Z4-MT	4	G	1	6	1,5	50	7	14	1	0,1	10,5	19,9	4	6,8	7	7,2	7,3	7,5	8	
JM920012G4R010.0Z4-MT	4	G	1,2	6	1,8	50	8	13	1	0,1	10,5	24,2	4	7,8	8	8,1	8,3	8,5	8,9	
920XXL010-MEGA-T	5	G	1	6	1,5	80	15	24,5	0,95	0,1	6	-	2	14,8	15,3	15,8	16,4	17	18,4	
905XXL015-MEGA-T	5	G	1,5	3	2,2	60	20	23,1	1,4	0,15	2	-	2	19,9	20,6	21,3	22	∞	∞	
920XXL015-MEGA-T	5	G	1,5	6	2,2	80	20	28,7	1,4	0,15	5	-	2	19,9	20,6	21,3	22	22,9	24,7	
920XXL020-MEGA-T	5	G	2	6	2,2	80	30	37,7	1,9	0,15	3,5	-	2	29,9	30,9	32	33,1	34,4	37,1	

* The effective under-neck length for the various draft angles. Remark ∞ = infinity, no collision in projection length area.

JM905/JM920 – Solid carbide end mill sharp and with corner radius – z_n2 and z_n4



Tolerances:
 Runout $\le 0,005\text{ mm}$



Part No.	Length index	Tool shape	Dimensions in mm											Max. cut depth rel. to α_η (α_η , ref)*						
			D_c	dm_m	a_p	l_2	l_3	l_{p2}	D_n	r_{e1}	α°	β	z_n	0°	0.5°	1°	1.5°	2°	3°	
JM905020G5R015.0Z4-MT	5	G	2	3	2,2	50	16	20	1,9	0,15	1,5	7,4	4	15,8	17	18,3	∞	∞	∞	
JM920020G5R015.0Z4-MT	5	G	2	6	2,2	60	16	22	2	0,15	5,5	19,0	4	15,8	16,2	16,7	17,1	17,6	18,7	
920XSL010-MEGA-T	6	G	1	6	1,5	80	20	29,5	0,95	0,1	5	–	2	19,8	20,5	21,2	21,9	22,8	24,6	
905XSL015-MEGA-T	6	G	1,5	3	2,2	60	25	28,1	1,4	0,15	2	–	2	24,9	25,7	26,6	27,6	∞	∞	
920XSL015-MEGA-T	6	G	1,5	6	2,2	80	30	38,7	1,4	0,15	3,5	–	2	29,9	30,9	32	33,1	34,4	37,1	
905XSL020-MEGA-T	6	G	2	3	2,2	60	30	32,1	1,9	0,15	1	–	2	29,9	30,9	∞	∞	∞	∞	
920XSL020-MEGA-T	6	G	2	6	2,2	80	40	47,7	1,9	0,15	2,5	–	2	39,9	41,2	42,7	44,2	45,8	8	
JM905015G7R015.0Z4-MT	5	G	1,5	3	2,2	50	16	18	1,4	0,15	2,5	23,5	4	15,8	16,1	16,5	16,8	17,2	∞	
JM920015G5R015.0Z4-MT	7	G	1,5	6	2,2	60	16	23	1,4	0,15	6,0	18,9	4	15,8	16,2	16,7	17,1	17,6	18,7	

* The effective under -neck length for the various draft angles. Remark ∞ = infinity, no collision in projection length area.

Cutting data – JM905/JM920 Slotting

SMG		a_p / D_c	f_z													v_c
			0.1	0.15	0.2	0.3	0.4	0.5	0.6	0.8	1	1.2	1.5	1.8	2	
P1	M/E/A	0,32	0,0014	0,0022	0,0028	0,0042	0,0055	0,0070	0,0085	0,011	0,014	0,017	0,020	0,022	0,024	280 (250 – 310)
P2	M/E/A	0,32	0,0014	0,0022	0,0028	0,0042	0,0055	0,0070	0,0085	0,011	0,014	0,017	0,020	0,022	0,024	270 (240 – 300)
P3	M/E/A	0,32	0,0014	0,0020	0,0028	0,0040	0,0055	0,0070	0,0080	0,011	0,014	0,016	0,019	0,022	0,022	235 (210 – 260)
P4	M/E/A	0,32	0,0013	0,0020	0,0026	0,0040	0,0055	0,0065	0,0080	0,011	0,013	0,016	0,019	0,022	0,022	205 (185 – 230)
P5	M/E/A	0,32	0,0013	0,0019	0,0026	0,0038	0,0050	0,0065	0,0080	0,010	0,013	0,015	0,018	0,020	0,022	200 (175 – 220)
P6	M/E/A	0,32	0,0013	0,0019	0,0026	0,0038	0,0050	0,0065	0,0075	0,010	0,013	0,015	0,018	0,020	0,022	220 (195 – 245)
P7	M/E/A	0,32	0,0013	0,0019	0,0026	0,0038	0,0050	0,0065	0,0075	0,010	0,013	0,015	0,018	0,020	0,022	210 (185 – 235)
P8	M/E/A	0,32	0,0014	0,0020	0,0028	0,0040	0,0055	0,0070	0,0080	0,011	0,014	0,016	0,019	0,022	0,022	195 (175 – 220)
P11	M/E/A	0,32	0,0013	0,0019	0,0026	0,0038	0,0050	0,0065	0,0075	0,010	0,013	0,015	0,018	0,020	0,022	205 (180 – 225)
M1	E/M/A	0,32	0,0020	0,0030	0,0040	0,0060	0,0080	0,010	0,012	0,016	0,020	0,024	0,030	0,034	0,038	145 (120 – 170)
M2	E/M/A	0,32	0,0020	0,0030	0,0040	0,0060	0,0080	0,010	0,012	0,016	0,020	0,024	0,028	0,032	0,034	115 (95 – 135)
M3	E/M/A	0,32	0,0020	0,0030	0,0040	0,0060	0,0080	0,010	0,012	0,016	0,020	0,024	0,028	0,032	0,034	90 (70 – 105)
M4	E/M/A	0,24	0,0018	0,0028	0,0036	0,0055	0,0070	0,0090	0,011	0,014	0,018	0,022	0,026	0,028	0,030	70 (55 – 80)
M5	E/M/A	0,24	0,0018	0,0028	0,0036	0,0055	0,0070	0,0090	0,011	0,014	0,018	0,022	0,026	0,028	0,030	55 (47 – 65)
N1	E/M/A	0,24	0,0020	0,0030	0,0040	0,0060	0,0080	0,010	0,012	0,016	0,020	0,024	0,028	0,032	0,034	670 (580 – 750)
N2	E/M/A	0,24	0,0020	0,0030	0,0040	0,0060	0,0080	0,010	0,012	0,016	0,020	0,024	0,028	0,032	0,034	430 (375 – 480)
N3	E/M/A	0,24	0,0020	0,0030	0,0040	0,0060	0,0080	0,010	0,012	0,016	0,020	0,024	0,028	0,032	0,034	285 (250 – 320)
N11	E/M/A	0,24	0,0020	0,0030	0,0040	0,0060	0,0080	0,010	0,012	0,016	0,020	0,024	0,028	0,032	0,034	390 (335 – 445)
S11	E/M/A	0,36	0,0020	0,0030	0,0040	0,0060	0,0080	0,010	0,012	0,016	0,020	0,024	0,028	0,032	0,034	190 (165 – 220)
S12	E/M/A	0,36	0,0020	0,0030	0,0040	0,0060	0,0080	0,010	0,012	0,016	0,020	0,024	0,028	0,032	0,034	145 (125 – 170)
S13	E/M/A	0,30	0,0018	0,0026	0,0036	0,0055	0,0070	0,0090	0,011	0,014	0,018	0,020	0,024	0,028	0,030	115 (100 – 135)
H3	M/A	0,050	0,0014	0,0022	0,0028	0,0060	0,0080	0,010	0,012	0,016	0,020	0,024	0,028	0,032	0,034	95 (85 – 110)
H5	M/A	0,20	0,0020	0,0030	0,0040	0,0060	0,0080	0,010	0,012	0,016	0,020	0,024	0,028	0,032	0,034	160 (140 – 185)
H7	M/A	0,044	0,0014	0,0022	0,0028	0,0060	0,0080	0,010	0,012	0,016	0,020	0,024	0,030	0,034	0,036	95 (85 – 110)
H8	M/A	0,20	0,0020	0,0030	0,0040	0,0060	0,0080	0,010	0,012	0,016	0,020	0,024	0,030	0,036	0,040	160 (140 – 185)
H11	M/A	0,20	0,0020	0,0030	0,0040	0,0060	0,0080	0,010	0,012	0,016	0,020	0,024	0,028	0,032	0,034	210 (180 – 235)
H12	M/A	0,20	0,0020	0,0030	0,0040	0,0060	0,0080	0,010	0,012	0,016	0,020	0,024	0,028	0,032	0,034	335 (290 – 380)
H21	M/A	0,20	0,0020	0,0030	0,0040	0,0060	0,0080	0,010	0,012	0,016	0,020	0,024	0,030	0,036	0,040	160 (140 – 185)
H31	M/A	0,20	0,0020	0,0030	0,0040	0,0060	0,0080	0,010	0,012	0,016	0,020	0,024	0,028	0,032	0,034	120 (105 – 140)
GR1	A	0,50	0,0015	0,0022	0,0030	0,0044	0,0060	0,0075	0,0090	0,012	0,015	0,018	0,022	0,024	0,026	370 (315 – 420)

SMG = Seco material group

Coolant = A=air D=dry E=emulsion M=mist spray

v_c = m/min

f_z = mm

a_p (mm)/ D_c (mm)= factor

All cutting data are target values

Cutting data – JM905/JM920 Side milling roughing $a_e/D_c = 0,05$

SMG		a_p / D_c	f_z												v_c	
			0.1	0.15	0.2	0.3	0.4	0.5	0.6	0.8	1	1.2	1.5	1.8		2
P1	M/E/A	0.60	0.0017	0.0024	0.0032	0.0048	0.0065	0.0080	0.0095	0.013	0.017	0.019	0.024	0.026	0.028	460 (410 – 510)
P2	M/E/A	0.60	0.0017	0.0024	0.0032	0.0050	0.0065	0.0080	0.010	0.014	0.017	0.020	0.024	0.026	0.028	450 (400 – 495)
P3	M/E/A	0.60	0.0016	0.0024	0.0032	0.0048	0.0060	0.0080	0.0095	0.013	0.016	0.019	0.022	0.024	0.028	385 (340 – 430)
P4	M/E/A	0.60	0.0016	0.0024	0.0032	0.0046	0.0060	0.0075	0.0090	0.013	0.016	0.018	0.022	0.024	0.028	340 (300 – 375)
P5	M/E/A	0.60	0.0015	0.0024	0.0030	0.0044	0.0060	0.0075	0.0090	0.012	0.015	0.018	0.020	0.024	0.028	325 (290 – 360)
P6	M/E/A	0.60	0.0015	0.0024	0.0030	0.0044	0.0060	0.0075	0.0090	0.012	0.015	0.018	0.020	0.024	0.028	365 (325 – 405)
P7	M/E/A	0.60	0.0015	0.0024	0.0030	0.0044	0.0060	0.0075	0.0090	0.012	0.015	0.018	0.020	0.024	0.028	345 (305 – 380)
P8	M/E/A	0.60	0.0016	0.0024	0.0032	0.0048	0.0060	0.0080	0.0095	0.013	0.016	0.019	0.022	0.024	0.028	325 (290 – 360)
P11	M/E/A	0.60	0.0015	0.0024	0.0030	0.0044	0.0060	0.0075	0.0090	0.012	0.015	0.018	0.020	0.024	0.028	335 (295 – 370)
M1	E/M/A	0.32	0.0024	0.0036	0.0048	0.0075	0.0095	0.013	0.015	0.020	0.024	0.028	0.034	0.038	0.040	245 (200 – 290)
M2	E/M/A	0.32	0.0024	0.0036	0.0048	0.0075	0.0095	0.013	0.015	0.020	0.024	0.028	0.034	0.038	0.040	200 (165 – 235)
M3	E/M/A	0.32	0.0024	0.0036	0.0048	0.0075	0.0095	0.013	0.015	0.020	0.024	0.028	0.034	0.038	0.040	150 (125 – 180)
M4	E/M/A	0.24	0.0024	0.0034	0.0044	0.0065	0.0090	0.012	0.014	0.018	0.024	0.026	0.032	0.036	0.040	115 (95 – 135)
M5	E/M/A	0.24	0.0024	0.0034	0.0044	0.0065	0.0090	0.012	0.014	0.018	0.024	0.026	0.032	0.036	0.040	95 (80 – 115)
N1	E/M/A	0.75	0.0024	0.0034	0.0044	0.0070	0.0090	0.012	0.014	0.018	0.024	0.028	0.032	0.036	0.040	1100 (960 – 1225)
N2	E/M/A	0.75	0.0024	0.0034	0.0044	0.0070	0.0090	0.012	0.014	0.018	0.024	0.028	0.032	0.036	0.040	710 (620 – 790)
N3	E/M/A	0.75	0.0024	0.0034	0.0044	0.0070	0.0090	0.012	0.014	0.018	0.024	0.028	0.032	0.036	0.040	470 (410 – 530)
N11	E/M/A	0.75	0.0024	0.0034	0.0044	0.0070	0.0090	0.012	0.014	0.018	0.024	0.028	0.032	0.036	0.040	640 (550 – 730)
S11	E/M/A	0.36	0.0024	0.0036	0.0048	0.0070	0.0095	0.012	0.015	0.020	0.024	0.028	0.034	0.038	0.040	330 (285 – 375)
S12	E/M/A	0.36	0.0024	0.0036	0.0048	0.0070	0.0095	0.012	0.015	0.020	0.024	0.028	0.034	0.038	0.040	255 (215 – 290)
S13	E/M/A	0.30	0.0022	0.0032	0.0044	0.0065	0.0085	0.011	0.013	0.018	0.022	0.026	0.032	0.036	0.040	200 (170 – 225)
H3	M/A	0.20	0.0020	0.0030	0.0040	0.0060	0.0080	0.010	0.012	0.016	0.020	0.024	0.030	0.036	0.040	150 (130 – 170)
H5	M/A	0.44	0.0022	0.0032	0.0044	0.0065	0.0090	0.011	0.014	0.018	0.022	0.026	0.032	0.036	0.040	270 (235 – 305)
H7	M/A	0.20	0.0020	0.0030	0.0040	0.0060	0.0080	0.010	0.012	0.016	0.020	0.024	0.030	0.036	0.040	150 (130 – 170)
H8	M/A	0.44	0.0024	0.0038	0.0050	0.0075	0.010	0.013	0.015	0.020	0.024	0.030	0.036	0.040	0.042	265 (230 – 300)
H11	M/A	0.44	0.0022	0.0032	0.0044	0.0065	0.0090	0.011	0.014	0.018	0.022	0.026	0.032	0.036	0.040	345 (300 – 390)
H12	M/A	0.44	0.0022	0.0032	0.0044	0.0065	0.0090	0.011	0.014	0.018	0.022	0.026	0.032	0.036	0.040	560 (480 – 630)
H21	M/A	0.44	0.0024	0.0038	0.0050	0.0075	0.010	0.013	0.015	0.020	0.024	0.030	0.036	0.040	0.042	265 (230 – 300)
H31	M/A	0.44	0.0022	0.0032	0.0044	0.0065	0.0090	0.011	0.014	0.018	0.022	0.026	0.032	0.036	0.040	200 (175 – 230)

Cutting data – JM905/JM920 Side milling roughing $a_e/D_c = 0,5$

SMG		a_p / D_c	f_z												v_c	
			0.1	0.15	0.2	0.3	0.4	0.5	0.6	0.8	1	1.2	1.5	1.8		2
GR1	A	0.50	0.0015	0.0022	0.0030	0.0044	0.0060	0.0075	0.0090	0.012	0.015	0.018	0.022	0.024	0.026	435 (370 – 495)

SMG = Seco material group

Coolant = A=air D=dry E=emulsion M=mist spray

v_c = m/min

f_z = mm

a_p (mm)/ D_c (mm)= factor

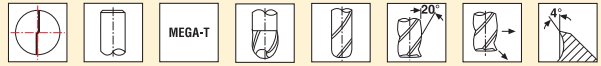
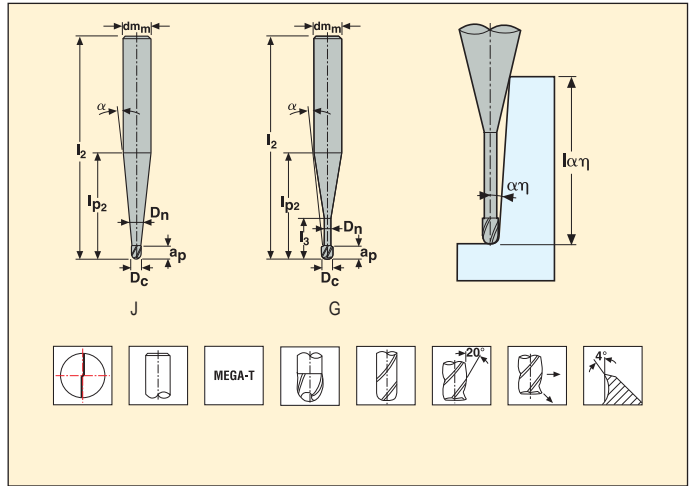
a_e (mm)/ D_c (mm)= factor

All cutting data are target values

JM915/JM925 – Solid carbide end mill - ball nose – two flute



Tolerances:
 Runout < 0,005 mm
 $dm_m = h5$
 $D_c = -0,01/-0,02$ mm
 Radius = +/- 0,005 mm



Part No.	Length index	Tool shape	Dimensions in mm										Max. cut depth rel. to $\alpha\eta$ ($\alpha\eta$, ref)*					
			D_c	dm_m	a_p	l_2	l_3	l_{p2}	D_n	r_{c1}	α°	z_n	0°	0.5°	1°	1.5°	2°	3°
9150010-MEGA-T	1	J	0,1	3	0,15	40	-	5,7	-	0,05	14,5	2	0,15	0,3	0,3	0,3	0,3	0,3
9150015-MEGA-T	1	J	0,15	3	0,2	40	-	5,7	-	0,075	14,5	2	0,2	0,4	0,4	0,4	0,4	0,4
915002-MEGA-T	1	J	0,2	3	0,2	40	-	5,6	-	0,1	14,5	2	0,2	0,4	0,4	0,4	0,4	0,4
915003-MEGA-T	1	J	0,3	3	0,3	40	-	5,5	-	0,15	14,5	2	0,3	0,5	0,5	0,5	0,5	0,5
915004-MEGA-T	1	J	0,4	3	0,4	40	-	5,4	-	0,2		2		∞	∞	∞	∞	∞
915005-MEGA-T	1	J	0,5	3	0,5	40	-	5,3	-	0,25	14	2	0,5	0,7	0,7	0,7	0,7	0,8
915006-MEGA-T	1	J	0,6	3	0,6	40	-	5,6	-	0,3	13	2	0,6	0,8	0,8	0,8	0,8	0,9
915008-MEGA-T	1	J	0,8	3	0,8	40	-	5,1	-	0,4	13,5	2	0,8	1	1	1	1	1,1
915010-MEGA-T	1	J	1	3	1	40	-	4,9	-	0,5		2		∞	∞	∞	∞	∞
915012-MEGA-T	1	J	1,2	3	1,2	40	-	4,7	-	0,6	12,5	2	1,2	1,4	1,4	1,4	1,5	1,5
915015-MEGA-T	1	J	1,5	3	1,5	40	-	4,4	-	0,75	11,5	2	1,5	1,7	1,7	1,8	1,8	1,9
925ML005-MEGA-T	2	G	0,5	6	0,5	50	1,5	17,2	0,45	0,25	9,5	2	1,3	1,4	1,5	1,5	1,6	1,8
925ML006-MEGA-T	2	G	0,6	6	0,6	50	2	17,4	0,55	0,3	9	2	1,8	1,9	2	2,1	2,2	2,5
925ML008-MEGA-T	2	G	0,8	6	0,8	50	2,5	17,3	0,75	0,4	9	2	2,3	2,4	2,6	2,7	2,8	3,2
925ML010-MEGA-T	2	G	1	6	1	50	4	17	0,95	0,5	9	2	3,8	4	4,2	4,4	4,6	5,1
925ML012-MEGA-T	2	G	1,2	6	1,2	50	4,5	15,9	1,15	0,6	9	2	4,3	4,5	4,7	4,8	5,1	5,6
925ML015-MEGA-T	2	G	1,5	6	1,5	50	5	15	1,4	0,75	9	2	4,9	5,1	5,3	5,5	5,7	6,2
925ML018-MEGA-T	2	G	1,8	6	1,8	50	5	14,4	1,7	0,9	9	2	4,9	5,1	5,2	5,4	5,6	6,1
925ML020-MEGA-T	2	G	2	6	2	50	6	14,3	1,9	1	9	2	5,9	6,1	6,3	6,5	6,7	7,2
915L005-MEGA-T	3	G	0,5	3	0,5	40	2,5	7,4	0,45	0,25	10	2	2,3	2,4	2,4	2,5	2,6	2,8
925TL005-MEGA-T	3	G	0,5	6	0,5	50	3,5	17,8	0,45	0,25		2		∞	∞	∞	∞	∞
925TL006-MEGA-T	3	G	0,6	6	0,6	50	4	16,8	0,55	0,3	9,5	2	3,8	4	4,1	4,3	4,5	5
915L008-MEGA-T	3	G	0,8	3	0,8	40	4	8,3	0,75	0,4	8	2	3,8	3,9	4	4,2	4,3	4,6
925TL008-MEGA-T	3	G	0,8	6	0,8	50	5,5	16,9	0,75	0,4	9	2	5,3	5,5	5,7	5,9	6,2	6,8
915L010-MEGA-T	3	G	1	3	1	40	5	8,9	0,95	0,5	7	2	4,8	4,9	5,1	5,3	5,4	5,9
925TL010-MEGA-T	3	G	1	6	1	50	7	16,5	0,95	0,5	9	2	6,8	7	7,2	7,5	7,7	8,3
915L012-MEGA-T	3	G	1,2	3	1,2	40	6	9,5	1,15	0,6	6	2	5,8	6	6,2	6,4	6,6	7,1
925TL012-MEGA-T	3	G	1,2	6	1,2	50	8	16,6	1,15	0,6	9	2	7,8	8	8,3	8,5	8,8	9,4
915L015-MEGA-T	3	G	1,5	3	1,5	40	7,5	10,6	1,4	0,75	4,5	2	7,4	7,6	7,9	8,1	8,4	9
915SL015-MEGA-T	4	G	1,5	3	1,5	60	16	19,1	1,4	0,75	2,5	2	15,9	16,4	16,9	17,5	18,2	∞
925TL015-MEGA-T	3	G	1,5	6	1,5	50	10	17,3	1,4	0,75	8	2	9,9	10,1	10,4	10,7	11	11,6
925TL018-MEGA-T	3	G	1,8	6	1,8	50	10	19,4	1,7	0,9	6,5	2	9,9	10,3	10,7	11,1	11,5	12,6
915L020-MEGA-T	3	G	2	3	2	40	10	12,1	1,9	1	3	2	9,9	10,2	10,5	10,9	11,2	∞
925TL020-MEGA-T	3	G	2	6	2	50	12	20,9	1,9	1	6	2	11,9	12,3	12,8	13,3	13,9	15,1
915SL020-MEGA-T	4	G	2	3	2	60	20	22,1	1,9	1	1,5	2	19,9	20,5	21,2	∞	∞	∞

* The effective under-neck length for the various draft angles. Remark ∞ = infinity, no collision in projection length area.

JM915/JM925 – Solid carbide end mill – ball nose – two flute



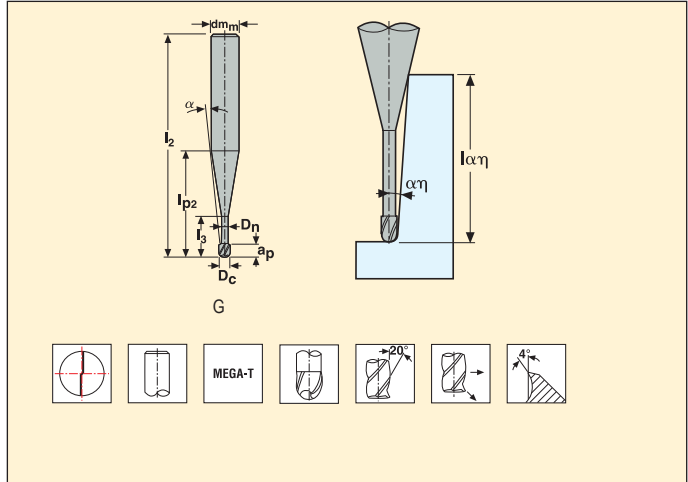
Tolerances:

Runout < 0,005 mm

$dm_m = h5$

$D_c = -0,01/-0,02$ mm

Radius = $\pm 0,005$ mm



Part No.	Length index	Tool shape	Dimensions in mm										Max. cut depth rel. to α_n (l_{α_n} , ref)*					
			D _c	dm _m	a _p	l ₂	l ₃	l _{p2}	D _n	r _{c1}	α°	z _n	0°	0.5°	1°	1.5°	2°	3°
			915XL005-MEGA-T	4	G	0,5	3	0,5	40	4	8,9	0,45	0,25	8,5	2	3,8	3,9	4
915XL006-MEGA-T	4	G	0,6	3	0,6	40	5	9,7	0,55	0,3	7,5	2	4,8	4,9	5,1	5,3	5,5	5,9
915XL008-MEGA-T	4	G	0,8	3	0,8	40	7	11,3	0,75	0,4	6	2	6,8	7	7,2	7,5	7,8	8,4
915XL010-MEGA-T	4	G	1	3	1	40	8,5	12,4	0,95	0,5		2		∞	∞	∞	∞	∞
925SL010-MEGA-T	4	G	1	6	1	50	10	19,5	0,95	0,5	7,5	2	9,8	10,1	10,4	10,8	11,2	12,1
915XL012-MEGA-T	4	G	1,2	3	1,2	40	10	13,5	1,15	0,6	4	2	9,8	10,1	10,4	10,8	11,2	12
915XL015-MEGA-T	4	G	1,5	3	1,5	60	12	15,1	1,4	0,75	3	2	11,9	12,3	12,7	13,1	13,6	14,6
925SL015-MEGA-T	4	G	1,5	6	1,5	50	15	23,7	1,4	0,75	6	2	14,9	15,4	15,9	16,4	17	18,3
925SL018-MEGA-T	4	G	1,8	6	1,8	50	15	24,4	1,7	0,9	5,5	2	14,9	15,5	16,1	16,7	17,4	19,1
915XL020-MEGA-T	4	G	2	3	2	60	16	18,1	1,9	1	2	2	15,9	16,4	16,9	17,5	∞	∞
925SL020-MEGA-T	4	G	2	6	2	50	18	25,7	1,9	1	5	2	17,9	18,5	19,1	19,7	20,4	22
925XL010-MEGA-T	5	G	1	6	1	80	15	24,5	0,95	0,5	6	2	14,8	15,3	15,8	16,3	16,9	18,3
915XL015-MEGA-T	5	G	1,5	3	1,5	60	20	23,1	1,4	0,75	2	2	19,9	20,5	21,2	22	∞	∞
925XL015-MEGA-T	5	G	1,5	6	1,5	80	20	28,7	1,4	0,75	5	2	19,9	20,5	21,2	22	22,8	24,6
915XL020-MEGA-T	5	G	2	3	2	60	25	27,1	1,9	1	1,5	2	24,9	25,7	26,6	∞	∞	∞
925XL020-MEGA-T	5	G	2	6	2	80	30	37,7	1,9	1	3,5	2	29,9	30,9	31,9	33	34,2	36,9
925XS010-MEGA-T	6	G	1	6	1	80	20	29,5	0,95	0,5	5	2	19,8	20,4	21,1	21,9	22,7	24,5
915XS015-MEGA-T	6	G	1,5	3	1,5	60	25	28,1	1,4	0,75	2	2	24,9	25,7	26,6	27,5	∞	∞
925XS015-MEGA-T	6	G	1,5	6	1,5	80	30	38,7	1,4	0,75	3,5	2	29,9	30,9	31,9	33	34,3	37
915XS020-MEGA-T	6	G	2	3	2	60	30	32,1	1,9	1	1	2	29,9	30,9	∞	∞	∞	∞
925XS020-MEGA-T	6	G	2	6	2	80	40	47,7	1,9	1	2,5	2	39,9	41,2	42,6	44,1	45,7	∞

* The effective under-neck length for the various draft angles. Remark ∞ = infinity, no collision in projection length area.

Cutting data – JM915/JM925 Copy milling roughing $a_e/D_c = 0,05$

SMG		a_p / D_c	f_z													v_c
			0.1	0.15	0.2	0.3	0.4	0.5	0.6	0.8	1	1.2	1.5	1.8	2	
P1	M/E/A	0,60	0,0032	0,0046	0,0060	0,0095	0,013	0,017	0,020	0,030	0,040	0,055	0,060	0,070	0,075	560 (500 — 630)
P2	M/E/A	0,60	0,0032	0,0048	0,0065	0,0095	0,014	0,017	0,020	0,032	0,042	0,055	0,065	0,070	0,075	550 (490 — 610)
P3	M/E/A	0,60	0,0030	0,0044	0,0060	0,0090	0,013	0,016	0,020	0,028	0,040	0,050	0,060	0,065	0,070	475 (425 — 530)
P4	M/E/A	0,60	0,0028	0,0044	0,0060	0,0090	0,013	0,016	0,020	0,028	0,038	0,048	0,060	0,065	0,070	420 (375 — 465)
P5	M/E/A	0,60	0,0028	0,0044	0,0055	0,0085	0,012	0,016	0,019	0,028	0,038	0,048	0,055	0,065	0,070	400 (355 — 445)
P6	M/E/A	0,60	0,0028	0,0042	0,0055	0,0085	0,012	0,016	0,019	0,028	0,036	0,048	0,055	0,065	0,065	450 (400 — 500)
P7	M/E/A	0,60	0,0028	0,0042	0,0055	0,0085	0,012	0,016	0,019	0,028	0,036	0,048	0,055	0,065	0,065	425 (380 — 470)
P8	M/E/A	0,60	0,0030	0,0044	0,0060	0,0090	0,013	0,016	0,020	0,028	0,040	0,050	0,060	0,065	0,070	400 (355 — 445)
P11	M/E/A	0,60	0,0028	0,0042	0,0055	0,0085	0,012	0,016	0,019	0,028	0,036	0,048	0,055	0,065	0,065	415 (365 — 460)
N1	E/M/A	0,75	0,0032	0,0046	0,0060	0,0095	0,013	0,017	0,020	0,028	0,038	0,048	0,060	0,070	0,075	1350 (1200 — 1525)
N2	E/M/A	0,75	0,0032	0,0046	0,0060	0,0095	0,013	0,017	0,020	0,028	0,038	0,048	0,060	0,070	0,075	870 (760 — 980)
N3	E/M/A	0,75	0,0032	0,0046	0,0060	0,0095	0,013	0,017	0,020	0,028	0,038	0,048	0,060	0,070	0,075	580 (510 — 660)
N11	E/M/A	0,75	0,0032	0,0046	0,0060	0,0095	0,013	0,017	0,020	0,028	0,038	0,048	0,060	0,070	0,075	780 (670 — 890)
H3	M/A	0,50	0,0011	0,0017	0,0022	0,0036	0,0048	0,0065	0,0080	0,012	0,016	0,019	0,022	0,026	0,026	200 (175 — 225)
H5	M/A	0,28	0,0015	0,0022	0,0030	0,0044	0,0060	0,0075	0,0090	0,012	0,015	0,018	0,022	0,028	0,030	355 (310 — 400)
H7	M/A	0,50	0,0020	0,0030	0,0040	0,0060	0,0080	0,010	0,012	0,016	0,020	0,024	0,030	0,036	0,040	200 (175 — 225)
H8	M/A	0,44	0,0030	0,0044	0,0060	0,0090	0,013	0,017	0,022	0,032	0,042	0,050	0,060	0,065	0,070	360 (315 — 405)
H11	M/A	0,28	0,0015	0,0022	0,0030	0,0044	0,0060	0,0075	0,0090	0,012	0,015	0,018	0,022	0,028	0,030	455 (400 — 510)
H12	M/A	0,28	0,0015	0,0022	0,0030	0,0044	0,0060	0,0075	0,0090	0,012	0,015	0,018	0,022	0,028	0,030	730 (640 — 830)
H21	M/A	0,44	0,0030	0,0044	0,0060	0,0090	0,013	0,017	0,022	0,032	0,042	0,050	0,060	0,065	0,070	360 (315 — 405)
H31	M/A	0,44	0,0026	0,0040	0,0055	0,0080	0,012	0,015	0,019	0,028	0,038	0,044	0,050	0,060	0,060	270 (235 — 305)

Cutting data – JM915/JM925 Copy milling roughing $a_e/D_c = 0,03$

SMG		a_p / D_c	f_z													v_c
			0.1	0.15	0.2	0.3	0.4	0.5	0.6	0.8	1	1.2	1.5	1.8	2	
M1	E/M/A	0,60	0,0050	0,0075	0,010	0,015	0,020	0,026	0,032	0,044	0,055	0,070	0,085	0,11	0,12	315 (260 — 375)
M2	E/M/A	0,60	0,0050	0,0075	0,010	0,015	0,020	0,026	0,032	0,044	0,055	0,070	0,085	0,11	0,12	255 (210 — 300)
M3	E/M/A	0,60	0,0050	0,0075	0,010	0,015	0,020	0,026	0,032	0,044	0,055	0,070	0,085	0,11	0,12	195 (160 — 230)
M4	E/M/A	0,60	0,0044	0,0065	0,0085	0,013	0,018	0,022	0,028	0,036	0,048	0,060	0,075	0,085	0,095	150 (125 — 175)
M5	E/M/A	0,60	0,0044	0,0065	0,0085	0,013	0,018	0,022	0,028	0,036	0,048	0,060	0,075	0,085	0,095	125 (100 — 150)
S11	E/M/A	0,60	0,0050	0,0075	0,010	0,015	0,020	0,026	0,032	0,044	0,055	0,070	0,085	0,11	0,12	420 (360 — 480)
S12	E/M/A	0,60	0,0050	0,0075	0,010	0,015	0,020	0,026	0,032	0,044	0,055	0,070	0,085	0,11	0,12	325 (280 — 370)
S13	E/M/A	0,60	0,0044	0,0065	0,0085	0,013	0,018	0,022	0,028	0,036	0,048	0,060	0,075	0,085	0,095	260 (220 — 295)

Cutting data – JM915/JM925 Copy milling roughing $a_e/D_c = 0,5$

SMG		a_p / D_c	f_z													v_c
			0.1	0.15	0.2	0.3	0.4	0.5	0.6	0.8	1	1.2	1.5	1.8	2	
GR1	A	0,50	0,0011	0,0016	0,0022	0,0032	0,0044	0,0055	0,0065	0,0090	0,012	0,015	0,019	0,022	0,026	540 (460 — 610)

SMG = Seco material group

Coolant = A=air D=dry E=emulsion M=mist spray

v_c = m/min







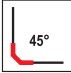
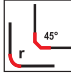
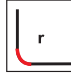


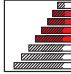



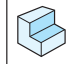
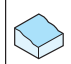
f_z = mm

a_p (mm)/ D_c (mm) = factor

a_e (mm)/ D_c (mm) = factor

All cutting data are target values



				
				
Name		JHP993	JHP951	JH141
Page		139-141	142-144	145-147, 239-241
Family		HPM	HPM	HSM/TORNADO
Type of mill				
Shank	Cylindrical	■	■	■
	Weldon	■	■	
Number of flutes		3-6	3-5	2-4
ICC		■		
Diameter range	Metric	4-25	3-25	2-10
	Inch			
Lengths available, based on length index		 2,3	 2	 2,3,4,5
Operation				
				
				
SMG				
P1		●	●	●
P2		●	●	●
P3		●	●	●
P4		●	●	●
P5		●	●	●
P6		●	●	●
P7		●	●	●
P8		●	●	●
P11		●	●	●
K1		●	●	●
K2		●	●	●
K3		●	●	●
K4		●	●	●
K5		●	●	●
K6		●	●	●
K7		●	●	●

■ Stock standard □ Weldon available, delivery time is 3 days
● Preferred choice, ○ Alternative choice

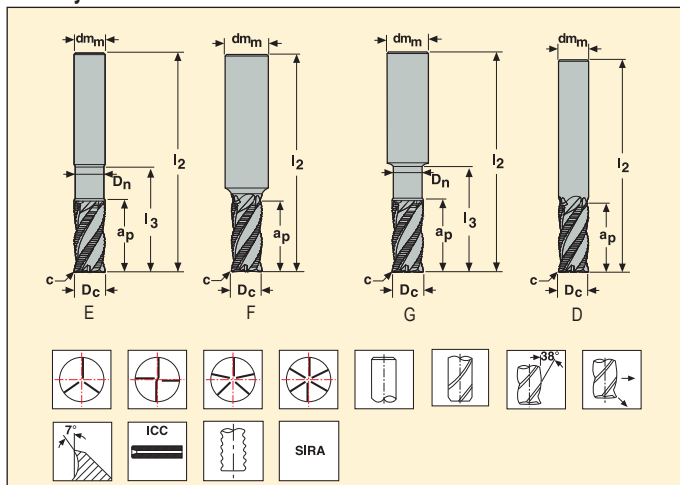
Name		JH970	JH111	JH150	JH160
Page		104-105, 148-149	150-152, 242-244	153-154, 245-246	155-156, 247-248
Family		HSM/TORNADO	HSM/TORNADO	HSM/TORNADO	HSM/TORNADO
Type of mill					
Shank	Cylindrical	■	■	■	■
	Weldon				
Number of flutes		2	2	4	4
ICC					
Diameter range	Metric	2-16	2-16	6-12	4-12
	Inch				
Lengths available, based on length index		 1,2,3	 1,2,3,4,5	 2	 2
Operation					
SMG					
P1		●		●	●
P2		●		●	●
P3		●		●	●
P4		●		●	●
P5		●		●	●
P6		●		●	●
P7		●		●	●
P8		●		●	●
P11		●		●	●
K1			●	●	
K2			●	●	
K3			●	●	
K4			●	●	
K5			●	●	
K6			●	●	
K7			●	●	

■ Stock standard □ Weldon available, delivery time is 3 days
● Preferred choice, ○ Alternative choice

JHP993 – Solid carbide end mill – advanced roughing profile – cylindrical shank – 45° corner chamfer



Tolerances:
 $dm_m = h5$
 $D_c = -0.02 / -0.1 \text{ mm}$
 $c = + / -0.05 \text{ mm}$



Part No.	Length index	Tool shape	ICC	Dimensions in mm							c x 45°	z _n	Cylindrical
				D _c	dm _m	a _p	l ₂	l ₃	D _n				
JHP993040F2C.0Z3-SIRA	2	F		4	6	10	50	–	–	0.15	3	■	
JHP993050F2C.0Z4-SIRA	2	F		5	6	12	55	–	–	0.15	4	■	
JHP993060D2C.0Z4-SIRA	2	D		6	6	14	55	–	–	0.2	4	■	
JHP993075F2C.0Z4-SIRA	2	F		7,5	8	17	60	–	–	0.2	4	■	
JHP993080D2C.0Z4A-SIRA	2	D	■	8	8	18	60	–	–	0.2	4	■	
JHP993080D2C.0Z4-SIRA	2	D		8	8	18	60	–	–	0.2	4	■	
JHP993095F2C.0Z4-SIRA	2	F		9,5	10	20	70	–	–	0.2	4	■	
JHP993100D2C.0Z4A-SIRA	2	D	■	10	10	22	70	–	–	0.2	4	■	
JHP993100D2C.0Z4-SIRA	2	D		10	10	22	70	–	–	0.2	4	■	
JHP993115F2C.0Z4-SIRA	2	F		11,5	12	25	80	–	–	0.2	4	■	
JHP993120D2C.0Z4A-SIRA	2	D	■	12	12	26	80	–	–	0.2	4	■	
JHP993120D2C.0Z4-SIRA	2	D		12	12	26	80	–	–	0.2	4	■	
JHP993140D2C.0Z4-SIRA	2	D		14	14	30	80	–	–	0.3	4	■	
JHP993160D2C.0Z4A-SIRA	2	D	■	16	16	34	90	–	–	0.3	4	■	
JHP993160D2C.0Z4-SIRA	2	D		16	16	34	90	–	–	0.3	4	■	
JHP993200D2C.0Z4A-SIRA	2	D	■	20	20	42	100	–	–	0.5	4	■	
JHP993200D2C.0Z4-SIRA	2	D		20	20	42	100	–	–	0.5	4	■	
JHP993250D2C.0Z4A-SIRA	2	D	■	25	25	52	125	–	–	0.5	4	■	
JHP993160D2C.0Z5A-SIRA	2	D	■	16	16	34	90	–	–	0.3	5	■	
JHP993160D2C.0Z5-SIRA	2	D		16	16	34	90	–	–	0.3	5	■	
JHP993200D2C.0Z5A-SIRA	2	D	■	20	20	42	100	–	–	0.5	5	■	
JHP993200D2C.0Z5-SIRA	2	D		20	20	42	100	–	–	0.5	5	■	
JHP993250D2C.0Z6A-SIRA	2	D	■	25	25	52	125	–	–	0.5	6	■	
JHP993040G3C.0Z3-SIRA	3	G		4	6	10	55	15	3,7	0.15	3	■	
JHP993060E3C.0Z4-SIRA	3	E		6	6	14	65	24	5,6	0.2	4	■	
JHP993080E3C.0Z4-SIRA	3	E		8	8	18	70	32	7,4	0.2	4	■	
JHP993100E3C.0Z4-SIRA	3	E		10	10	22	85	40	9,4	0.2	4	■	
JHP993120E3C.0Z4-SIRA	3	E		12	12	26	100	50	11,4	0.2	4	■	
JHP993160E3C.0Z4-SIRA	3	E		16	16	34	110	60	15,4	0.3	4	■	
JHP993200E3C.0Z4-SIRA	3	E		20	20	42	125	70	19,2	0.5	4	■	
JHP993160E3C.0Z5-SIRA	3	E		16	16	34	110	60	15,4	0.3	5	■	
JHP993200E3C.0Z5-SIRA	3	E		20	20	42	125	70	19,2	0.5	5	■	

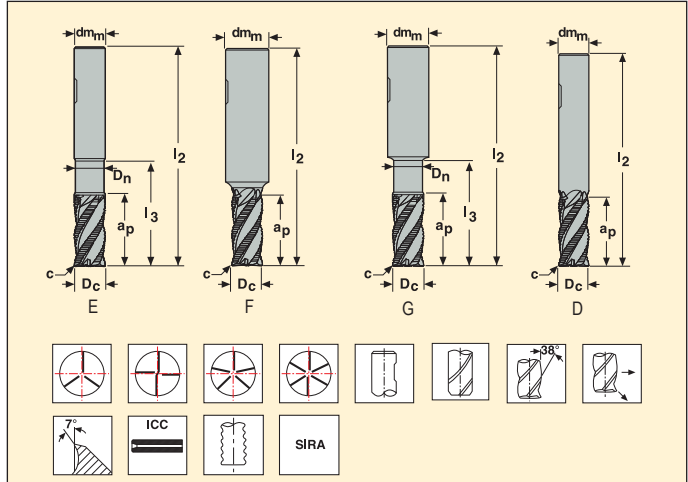
SIRA = SIRON-A, ICC = Internal Coolant Channels

■ Stock standard. Subject to change refer to current price-and stock-list.

JHP993 – Solid carbide end mill – advanced roughing profile – Weldon shank – 45° corner chamfer



Tolerances:
 $dm_m = h5$
 $D_c = -0,02/-0,1 \text{ mm}$
 $c = \pm 0,05 \text{ mm}$



Part No.	Length index	Tool shape	ICC	Dimensions in mm							c x 45°	z _n	Weldon
				D _c	dm _m	a _p	l ₂	l ₃	D _n				
JHP993040F2C.0Z3-SIRA	2	F		4	6	10	50	-	-	0,15	3	■	
JHP993040F2C.3Z3-SIRA	2	F		4	6	10	50	-	-	0,15	3	■	
JHP993050F2C.3Z4-SIRA	2	F		5	6	12	55	-	-	0,15	4	■	
JHP993060D2C.3Z4-SIRA	2	D		6	6	14	55	-	-	0,2	4	■	
JHP993075F2C.3Z4-SIRA	2	F		7,5	8	17	60	-	-	0,2	4	■	
JHP993080D2C.3Z4A-SIRA	2	D	■	8	8	16	60	-	-	0,2	4	□	
JHP993080D2C.3Z4-SIRA	2	D		8	8	18	60	-	-	0,2	4	■	
JHP993095F2C.3Z4-SIRA	2	F		9,5	10	20	70	-	-	0,2	4	■	
JHP993100D2C.3Z4A-SIRA	2	D	■	10	10	20	70	-	-	0,2	4	□	
JHP993100D2C.3Z4-SIRA	2	D		10	10	22	70	-	-	0,2	4	■	
JHP993115F2C.3Z4-SIRA	2	F		11,5	12	25	80	-	-	0,2	4	■	
JHP993120D2C.3Z4A-SIRA	2	D	■	12	12	26	80	-	-	0,2	4	□	
JHP993120D2C.3Z4-SIRA	2	D		12	12	26	80	-	-	0,2	4	■	
JHP993140D2C.3Z4-SIRA	2	D		14	14	30	80	-	-	0,3	4	■	
JHP993160D2C.3Z4A-SIRA	2	D	■	16	16	34	90	-	-	0,3	4	■	
JHP993160D2C.3Z4-SIRA	2	D		16	16	34	90	-	-	0,3	4	■	
JHP993200D2C.3Z4A-SIRA	2	D	■	20	20	42	100	-	-	0,5	4	□	
JHP993200D2C.3Z4-SIRA	2	D		20	20	42	100	-	-	0,5	4	■	
JHP993250D2C.3Z4A-SIRA	2	D	■	25	25	52	125	-	-	0,5	4	■	
JHP993250D2C.3Z4-SIRA	2	D		25	25	52	125	-	-	0,5	4	■	
JHP993160D2C.3Z5A-SIRA	2	D	■	16	16	34	90	-	-	0,3	5	□	
JHP993160D2C.3Z5-SIRA	2	D		16	16	34	90	-	-	0,3	5	■	
JHP993200D2C.3Z5A-SIRA	2	D	■	20	20	42	100	-	-	0,5	5	□	
JHP993200D2C.3Z5-SIRA	2	D		20	20	42	100	-	-	0,5	5	■	
JHP993250D2C.3Z6A-SIRA	2	D	■	25	25	52	125	-	-	0,5	6	□	
JHP993250D2C.3Z6-SIRA	2	D		25	25	52	125	-	-	0,5	6	■	
JHP993040G3C.3Z3-SIRA	3	G		4	6	10	55	15	3,7	0,15	3	■	
JHP993060E3C.3Z4-SIRA	3	F		6	6	14	65	24	5,6	0,2	4	■	
JHP993080E3C.3Z4-SIRA	3	E		8	8	18	70	32	7,4	0,2	4	■	
JHP993100E3C.3Z4-SIRA	3	E		10	10	22	85	40	9,4	0,2	4	■	
JHP993120E3C.3Z4-SIRA	3	E		12	12	26	100	50	11,4	0,2	4	■	
JHP993160E3C.3Z4-SIRA	3	E		16	16	34	110	60	15,4	0,3	4	■	
JHP993200E3C.3Z4-SIRA	3	E		20	20	42	125	70	19,2	0,5	4	■	
JHP993250E3C.3Z4-SIRA	3	E		25	25	52	150	90	24	0,5	4	■	
JHP993160E3C.3Z5-SIRA	3	E		16	16	34	110	60	15,4	0,3	5	■	
JHP993200E3C.3Z5-SIRA	3	E		20	20	42	125	70	19,2	0,5	5	■	
JHP993250E3C.3Z6-SIRA	3	E		25	25	52	150	90	24	0,5	6	■	

SIRA = SIRON-A, ICC = Internal Coolant Channels.

■ Stock standard. Subject to change refer to current price-and stock-list. □ Weldon available, delivery time is 3 days.

Cutting data – JHP993 Slotting $Z_n=3$ and $Z_n=4$

SMG		a_p / D_c	f_z										v_c
			4	5	6	8	10	12	14	16	20	25	
P1	E/M/A	1,6	0,034	0,044	0,050	0,070	0,085	0,10	0,12	0,13	0,15	0,17	195 (170 – 225)
P2	E/M/A	1,6	0,036	0,044	0,055	0,070	0,090	0,10	0,12	0,13	0,15	0,17	190 (160 – 215)
P3	E/M/A	1,6	0,034	0,042	0,050	0,065	0,085	0,10	0,11	0,12	0,14	0,16	165 (140 – 190)
P4	E/M/A	1,6	0,032	0,040	0,048	0,065	0,080	0,095	0,11	0,12	0,14	0,16	150 (125 – 170)
P5	E/M/A	1,6	0,032	0,040	0,048	0,065	0,080	0,095	0,11	0,12	0,14	0,15	140 (120 – 160)
P6	E/M/A	1,6	0,032	0,040	0,048	0,065	0,080	0,095	0,11	0,12	0,13	0,15	160 (135 – 180)
P7	E/M/A	1,6	0,032	0,040	0,048	0,065	0,080	0,095	0,11	0,12	0,13	0,15	150 (130 – 170)
P8	E/M/A	1,6	0,034	0,042	0,050	0,065	0,085	0,10	0,11	0,12	0,14	0,16	140 (120 – 160)
P11	E/M/A	1,6	0,032	0,040	0,048	0,065	0,080	0,095	0,11	0,12	0,13	0,15	145 (125 – 165)
K1	E/M/A	1,6	0,036	0,044	0,055	0,070	0,090	0,10	0,12	0,13	0,15	0,17	175 (150 – 200)
K2	E/M/A	1,6	0,032	0,040	0,048	0,065	0,080	0,095	0,11	0,12	0,14	0,15	155 (135 – 180)
K3	E/M/A	1,6	0,032	0,040	0,048	0,065	0,080	0,095	0,11	0,12	0,14	0,15	135 (115 – 150)
K4	E/M/A	1,6	0,032	0,040	0,048	0,065	0,080	0,095	0,11	0,12	0,14	0,15	125 (110 – 145)
K5	E/M/A	1,6	0,028	0,036	0,044	0,060	0,070	0,085	0,095	0,11	0,12	0,14	80 (65 – 90)
K6	E/M/A	1,6	0,032	0,040	0,048	0,065	0,080	0,095	0,11	0,12	0,14	0,15	110 (95 – 125)
K7	E/M/A	1,6	0,028	0,036	0,044	0,060	0,070	0,085	0,095	0,11	0,12	0,14	100 (85 – 115)

Cutting data – JHP993 Side milling $z_n=4,5,6$ $a_p/D_c = 0,4$

SMG		a_p / D_c	f_z										v_c
			4	5	6	8	10	12	14	16	20	25	
P1	E/M/A	1,6	0,036	0,044	0,055	0,070	0,090	0,10	0,12	0,13	0,15	0,17	245 (210 – 280)
P2	E/M/A	1,6	0,036	0,044	0,055	0,070	0,090	0,11	0,12	0,13	0,15	0,17	240 (205 – 270)
P3	E/M/A	1,6	0,034	0,042	0,050	0,070	0,085	0,10	0,11	0,12	0,14	0,16	205 (180 – 235)
P4	E/M/A	1,6	0,034	0,042	0,050	0,065	0,085	0,10	0,11	0,12	0,14	0,16	185 (155 – 210)
P5	E/M/A	1,6	0,032	0,040	0,050	0,065	0,080	0,095	0,11	0,12	0,14	0,16	175 (150 – 200)
P6	E/M/A	1,6	0,032	0,040	0,048	0,065	0,080	0,095	0,11	0,12	0,14	0,15	200 (170 – 225)
P7	E/M/A	1,6	0,032	0,040	0,048	0,065	0,080	0,095	0,11	0,12	0,14	0,15	190 (160 – 215)
P8	E/M/A	1,6	0,034	0,042	0,050	0,070	0,085	0,10	0,11	0,12	0,14	0,16	175 (150 – 200)
P11	E/M/A	1,6	0,032	0,040	0,048	0,065	0,080	0,095	0,11	0,12	0,14	0,15	180 (155 – 210)
K1	E/M/A	1,6	0,036	0,044	0,055	0,070	0,090	0,11	0,12	0,13	0,15	0,17	220 (190 – 250)
K2	E/M/A	1,6	0,032	0,040	0,050	0,065	0,080	0,095	0,11	0,12	0,14	0,16	195 (170 – 225)
K3	E/M/A	1,6	0,032	0,040	0,050	0,065	0,080	0,095	0,11	0,12	0,14	0,16	165 (145 – 190)
K4	E/M/A	1,6	0,032	0,040	0,050	0,065	0,080	0,095	0,11	0,12	0,14	0,16	160 (135 – 180)
K5	E/M/A	1,6	0,030	0,036	0,044	0,060	0,075	0,085	0,10	0,11	0,12	0,14	95 (85 – 110)
K6	E/M/A	1,6	0,032	0,040	0,050	0,065	0,080	0,095	0,11	0,12	0,14	0,16	140 (120 – 160)
K7	E/M/A	1,6	0,030	0,036	0,044	0,060	0,075	0,085	0,10	0,11	0,12	0,14	125 (105 – 140)

SMG = Seco material group

Coolant = A=air D=dry E=emulsion M=mist spray

v_c = m/min

f_z = mm

a_p (mm)/ D_c (mm)= factor

a_e (mm)/ D_c (mm)= factor

All cutting data are target values

JHP951 – Solid carbide end mill – curved helix – cylindrical shank – 45° corner radius

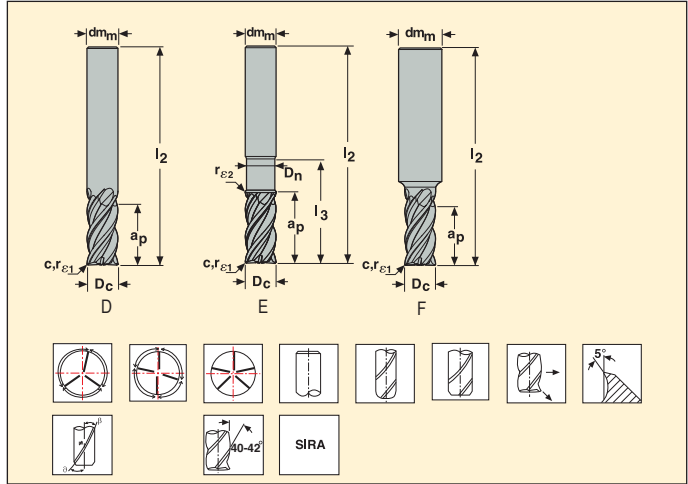


Tolerances:

$dm_m = h5$

$D_c = e7$

$r_{\epsilon 1} = +/- 0,02 \text{ mm}$



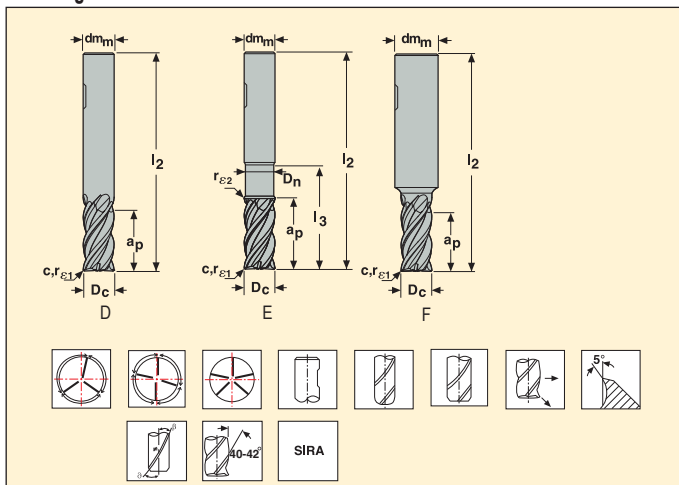
Part No.	Length index	Tool shape	Dimensions in mm							$c \times 45^\circ$	z_n	Cylindrical
			D_c	dm_m	a_p	l_2	l_3	D_n	$r_{\epsilon 1}$			
JHP951030F2C.0Z3-SIRA	2	F	3	6	8	50	-	-	0	0,1	3	■
JHP951030F2R020.0Z3-SIRA	2	F	3	6	8	50	-	-	0,2	-	3	■
JHP951030F2R050.0Z3-SIRA	2	F	3	6	8	50	-	-	0,5	-	3	■
JHP951040F2C.0Z4-SIRA	2	F	4	6	10	55	-	-	0	0,15	4	■
JHP951040F2R020.0Z4-SIRA	2	F	4	6	10	55	-	-	0,2	-	4	■
JHP951040F2R050.0Z4-SIRA	2	F	4	6	10	55	-	-	0,5	-	4	■
JHP951050F2C.0Z4-SIRA	2	F	5	6	12	55	-	-	0	0,2	4	■
JHP951050F2R020.0Z4-SIRA	2	F	5	6	12	55	-	-	0,2	-	4	■
JHP951050F2R050.0Z4-SIRA	2	F	5	6	12	55	-	-	0,5	-	4	■
JHP951060D2C.0Z4-SIRA	2	D	6	6	14	55	-	-	0	0,2	4	■
JHP951060D2R020.0Z4-SIRA	2	D	6	6	14	55	-	-	0,2	-	4	■
JHP951060D2R050.0Z4-SIRA	2	D	6	6	14	55	-	-	0,5	-	4	■
JHP951080D2C.0Z4-SIRA	2	D	8	8	18	60	-	-	0	0,3	4	■
JHP951080D2R020.0Z4-SIRA	2	D	8	8	18	60	-	-	0,2	-	4	■
JHP951080D2R050.0Z4-SIRA	2	D	8	8	18	60	-	-	0,5	-	4	■
JHP951080D2R100.0Z4-SIRA	2	D	8	8	18	60	-	-	1	-	4	■
JHP951100E2C.0Z4-SIRA	2	E	10	10	22	70	28	9,4	0	0,3	4	■
JHP951100E2R050.0Z4-SIRA	2	E	10	10	22	70	28	9,4	0,5	-	4	■
JHP951100E2R100.0Z4-SIRA	2	E	10	10	22	70	28	9,4	1	-	4	■
JHP951120E2C.0Z4-SIRA	2	E	12	12	26	80	33	11,4	0	0,4	4	■
JHP951120E2R050.0Z4-SIRA	2	E	12	12	26	80	33	11,4	0,5	-	4	■
JHP951120E2R100.0Z4-SIRA	2	E	12	12	26	80	33	11,4	1	-	4	■
JHP951160E2C.0Z4-SIRA	2	E	16	16	34	90	40	15	0	0,5	4	■
JHP951160E2R050.0Z4-SIRA	2	E	16	16	34	90	40	15	0,5	-	4	■
JHP951160E2R100.0Z4-SIRA	2	E	16	16	34	90	40	15	1	-	4	■
JHP951160E2C.0Z5-SIRA	2	E	16	16	34	90	40	15,4	0	0,5	5	■
JHP951160E2R050.0Z5-SIRA	2	E	16	16	34	90	40	15,4	0,5	-	5	■
JHP951160E2R100.0Z5-SIRA	2	E	16	16	34	90	40	15,4	1	-	5	■

■ Stock standard. Subject to change refer to current price-and stock-list.

JHP951 – Solid carbide end mill – curved helix – polished coating – Weldon shank – 45° corner radius



Tolerances:
 $dm_m = h5$
 $D_c = e7$
 $r_{\epsilon 1} = +/ - 0,02 \text{ mm}$



Part No.	Length index	Tool shape	Dimensions in mm							c x 45°	z _n	Weldon
			D _c	dm _m	a _p	l ₂	l ₃	D _n	r _{ε1}			
JHP951030F2C.3Z3-SIRA	2	F	3	6	8	50	–	–	0	0,1	3	■
JHP951030F2R020.3Z3-SIRA	2	F	3	6	8	50	–	–	0,2	–	3	□
JHP951030F2R050.3Z3-SIRA	2	F	3	6	8	50	–	–	0,5	–	3	□
JHP951040F2C.3Z4-SIRA	2	F	4	6	10	55	–	–	0	0,15	4	■
JHP951040F2R020.3Z4-SIRA	2	F	4	6	10	55	–	–	0,2	–	4	□
JHP951040F2R050.3Z4-SIRA	2	F	4	6	10	55	–	–	0,5	–	4	□
JHP951050F2C.3Z4-SIRA	2	F	5	6	12	55	–	–	0	0,2	4	■
JHP951050F2R020.3Z4-SIRA	2	F	5	6	12	55	–	–	0,2	–	4	□
JHP951050F2R050.3Z4-SIRA	2	F	5	6	12	55	–	–	0,5	–	4	□
JHP951060D2C.3Z4-SIRA	2	D	6	6	14	55	–	–	0	0,2	4	■
JHP951060D2R020.3Z4-SIRA	2	D	6	6	14	55	–	–	0,2	–	4	□
JHP951060D2R050.3Z4-SIRA	2	D	6	6	14	55	–	–	0,5	–	4	□
JHP951080D2C.3Z4-SIRA	2	D	8	8	18	60	–	–	0	0,3	4	■
JHP951080D2R020.3Z4-SIRA	2	D	8	8	18	60	–	–	0,2	–	4	□
JHP951080D2R050.3Z4-SIRA	2	D	8	8	18	60	–	–	0,5	–	4	□
JHP951080D2R100.3Z4-SIRA	2	D	8	8	18	60	–	–	1	–	4	□
JHP951100E2C.3Z4-SIRA	2	E	10	10	22	70	28	9,4	0	0,3	4	■
JHP951100E2R050.3Z4-SIRA	2	E	10	10	22	70	28	9,4	0,5	–	4	□
JHP951100E2R100.3Z4-SIRA	2	E	10	10	22	70	28	9,4	1	–	4	□
JHP951120E2C.3Z4-SIRA	2	E	12	12	26	80	33	11,4	0	0,4	4	■
JHP951120E2R050.3Z4-SIRA	2	E	12	12	26	80	33	11,4	0,5	–	4	□
JHP951120E2R100.3Z4-SIRA	2	E	12	12	26	80	33	11,4	1	–	4	□
JHP951160E2C.3Z4-SIRA	2	E	16	16	34	90	40	15	0	0,5	4	■
JHP951160E2R050.3Z4-SIRA	2	E	16	16	34	90	40	15	0,5	–	4	□
JHP951160E2R100.3Z4-SIRA	2	E	16	16	34	90	40	15	1	–	4	□
JHP951200E2R050.3Z4-SIRA	2	E	20	20	42	100	48	19	0,5	–	4	□
JHP951200E2R100.3Z4-SIRA	2	E	20	20	42	100	48	19	1	–	4	□
JHP951160E2C.3Z5-SIRA	2	E	16	16	34	90	40	15,4	0	0,5	5	■
JHP951160E2R050.3Z5-SIRA	2	E	16	16	34	90	40	15,4	0,5	–	5	□
JHP951160E2R100.3Z5-SIRA	2	E	16	16	34	90	40	15,4	1	–	5	□
JHP951200E2R050.3Z5-SIRA	2	E	20	20	42	100	48	19,4	0,5	–	5	■
JHP951200E2R100.3Z5-SIRA	2	E	20	20	42	100	48	19,4	1	–	5	■
JHP951250E2R050.3Z5-SIRA	2	E	25	25	52	125	65	24,4	0,5	–	5	■
JHP951250E2R100.3Z5-SIRA	2	E	25	25	52	125	65	24,4	1	–	5	■

■ Stock standard. Subject to change refer to current price-and stock-list. □ Weldon available, delivery time is 3 days.

Cutting data – JHP951 Slotting

SMG		a_p / D_c	f_z											v_c	
			2	3	4	6	8	10	12	14	16	18	20		25
P1	E/M/A	1,5	0,017	0,026	0,034	0,050	0,070	0,085	0,10	0,12	0,13	0,14	0,15	0,17	200 (170 — 225)
P2	E/M/A	1,5	0,018	0,026	0,036	0,055	0,070	0,090	0,10	0,12	0,13	0,14	0,15	0,17	190 (165 — 215)
P3	E/M/A	1,5	0,017	0,024	0,034	0,050	0,065	0,085	0,10	0,11	0,12	0,13	0,14	0,16	165 (140 — 190)
P4	E/M/A	1,5	0,016	0,024	0,032	0,048	0,065	0,080	0,095	0,11	0,12	0,13	0,14	0,16	150 (125 — 170)
P5	E/M/A	1,5	0,016	0,024	0,032	0,048	0,065	0,080	0,095	0,11	0,12	0,13	0,14	0,15	140 (120 — 160)
P6	E/M/A	1,5	0,016	0,024	0,032	0,048	0,065	0,080	0,095	0,11	0,12	0,13	0,13	0,15	160 (135 — 180)
P7	E/M/A	1,5	0,016	0,024	0,032	0,048	0,065	0,080	0,095	0,11	0,12	0,13	0,13	0,15	150 (130 — 170)
P8	E/M/A	1,5	0,017	0,024	0,034	0,050	0,065	0,085	0,10	0,11	0,12	0,13	0,14	0,16	140 (120 — 160)
P11	E/M/A	1,5	0,016	0,024	0,032	0,048	0,065	0,080	0,095	0,11	0,12	0,13	0,13	0,15	145 (125 — 165)
K1	E/M/A	1,5	0,018	0,026	0,036	0,055	0,070	0,090	0,10	0,12	0,13	0,14	0,15	0,17	175 (155 — 195)
K2	E/M/A	1,5	0,016	0,024	0,032	0,048	0,065	0,080	0,095	0,11	0,12	0,13	0,14	0,15	160 (140 — 175)
K3	E/M/A	1,5	0,016	0,024	0,032	0,048	0,065	0,080	0,095	0,11	0,12	0,13	0,14	0,15	135 (120 — 150)
K4	E/M/A	1,5	0,016	0,024	0,032	0,048	0,065	0,080	0,095	0,11	0,12	0,13	0,14	0,15	125 (115 — 140)
K5	E/M/A	1,5	0,014	0,022	0,028	0,044	0,055	0,070	0,085	0,095	0,11	0,11	0,12	0,14	80 (70 — 85)
K6	E/M/A	1,5	0,016	0,024	0,032	0,048	0,065	0,080	0,095	0,11	0,12	0,13	0,14	0,15	110 (100 — 125)
K7	E/M/A	1,5	0,014	0,022	0,028	0,044	0,055	0,070	0,085	0,095	0,11	0,11	0,12	0,14	100 (90 — 110)

Cutting data – JHP951 Side milling $a_p/D_c = 0,4$

SMG		a_p / D_c	f_z											v_c	
			2	3	4	6	8	10	12	14	16	18	20		25
P1	E/M/A	1,5	0,018	0,026	0,036	0,055	0,070	0,090	0,10	0,12	0,13	0,14	0,15	0,17	245 (210 — 280)
P2	E/M/A	1,5	0,018	0,026	0,036	0,055	0,070	0,090	0,11	0,12	0,13	0,14	0,15	0,17	240 (205 — 270)
P3	E/M/A	1,5	0,017	0,026	0,034	0,050	0,070	0,085	0,10	0,11	0,12	0,13	0,14	0,16	210 (180 — 240)
P4	E/M/A	1,5	0,017	0,024	0,034	0,050	0,065	0,085	0,10	0,11	0,12	0,13	0,14	0,16	185 (155 — 210)
P5	E/M/A	1,5	0,016	0,024	0,032	0,048	0,065	0,080	0,095	0,11	0,12	0,13	0,14	0,16	175 (150 — 205)
P6	E/M/A	1,5	0,016	0,024	0,032	0,048	0,065	0,080	0,095	0,11	0,12	0,13	0,14	0,15	200 (170 — 230)
P7	E/M/A	1,5	0,016	0,024	0,032	0,048	0,065	0,080	0,095	0,11	0,12	0,13	0,14	0,15	190 (160 — 215)
P8	E/M/A	1,5	0,017	0,026	0,034	0,050	0,070	0,085	0,10	0,11	0,12	0,13	0,14	0,16	175 (150 — 200)
P11	E/M/A	1,5	0,016	0,024	0,032	0,048	0,065	0,080	0,095	0,11	0,12	0,13	0,14	0,15	185 (155 — 210)
K1	E/M/A	1,5	0,018	0,026	0,036	0,055	0,070	0,090	0,11	0,12	0,13	0,14	0,15	0,17	220 (195 — 245)
K2	E/M/A	1,5	0,016	0,024	0,032	0,048	0,065	0,080	0,095	0,11	0,12	0,13	0,14	0,16	200 (175 — 220)
K3	E/M/A	1,5	0,016	0,024	0,032	0,048	0,065	0,080	0,095	0,11	0,12	0,13	0,14	0,16	165 (150 — 185)
K4	E/M/A	1,5	0,016	0,024	0,032	0,048	0,065	0,080	0,095	0,11	0,12	0,13	0,14	0,16	160 (140 — 175)
K5	E/M/A	1,5	0,015	0,022	0,030	0,044	0,060	0,075	0,085	0,10	0,11	0,12	0,12	0,14	95 (85 — 105)
K6	E/M/A	1,5	0,016	0,024	0,032	0,048	0,065	0,080	0,095	0,11	0,12	0,13	0,14	0,16	140 (125 — 155)
K7	E/M/A	1,5	0,015	0,022	0,030	0,044	0,060	0,075	0,085	0,10	0,11	0,12	0,12	0,14	125 (110 — 135)

SMG = Seco material group

Coolant = A=air D=dry E=emulsion M=mist spray

v_c = m/min

f_z = mm

a_p (mm)/ D_c (mm)= factor

a_e (mm)/ D_c (mm)= factor

All cutting data are target values

JH141 – Solid carbide end mill – corner radius – cylindrical



Tolerances:

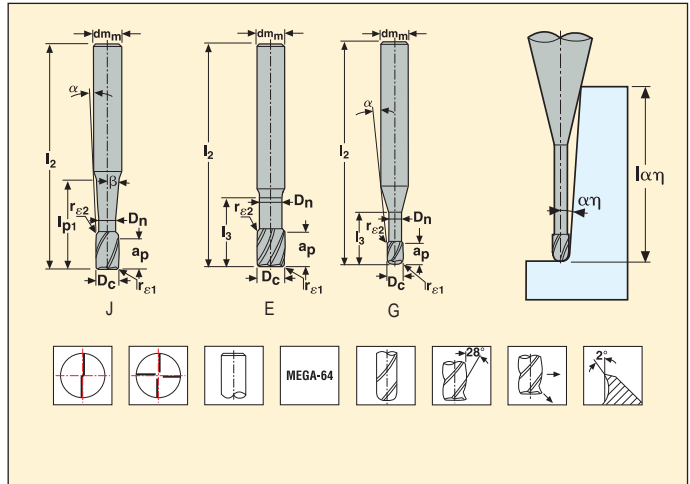
$dm_m = h5$

$D_c = \varnothing 2-6 = -0,005/-0,015 \text{ mm.}, \varnothing 8-10 = -0,005/-0,02 \text{ mm.}$

$\varnothing 12-16 = -0,005/-0,025 \text{ mm.}$

$r_{e1} = +/0,01 \text{ mm}$

$\beta = 0,9$



Part No.	Length index	Tool shape	Dimensions in mm											Max. cut depth rel. to α_n (l_{α_n} , ref)*					
			D_c	dm_m	a_p	l_2	l_3	l_{p1}	D_n	r_{e1}	r_{e2}	α°	z_n	0°	0.5°	1°	1.5°	2°	3°
141V020R030Z2-MEGA-64	2	G	2	4	2	40	4	4	1,9	0,3	2	7,5	2	4	4,6	4,7	4,9	5,1	5,5
141V020R050Z2-MEGA-64	2	G	2	4	2	40	4	4	1,9	0,5	2	7,5	2	4	4,6	4,7	4,9	5	5,4
141V030R050Z2-MEGA-64	2	G	3	4	3	40	6	6	2,8	0,5	2	4	2	6	7	7,2	7,4	7,7	8,3
141V030R100Z2-MEGA-64	2	G	3	4	3	40	6	6	2,8	1	2	4	2	6	7	7,2	7,4	7,6	8,2
141V040R030Z2-MEGA-64	2	G	4	6	4	50	8	8	3,7	0,3	2	5	2	8	9,4	9,7	10	10,4	11,2
141V040R050Z2-MEGA-64	2	G	4	6	4	50	8	8	3,7	0,5	2	5	2	8	9,4	9,7	10	10,4	11,2
141V040R100Z2-MEGA-64	2	G	4	6	4	50	8	8	3,7	1	2	5	2	8	9,4	9,7	10	10,3	11,1
141V060R050Z4-MEGA-64	2	E	6	6	6	50	12	12	5,6	0,5	2	-	4	12	∞	∞	∞	∞	∞
141V060R100Z4-MEGA-64	2	E	6	6	6	50	12	12	5,6	1	2	-	4	12	∞	∞	∞	∞	∞
141V060R150Z4-MEGA-64	2	E	6	6	6	50	12	12	5,6	1,5	2	-	4	12	∞	∞	∞	∞	∞
141V060R200Z4-MEGA-64	2	E	6	6	6	50	12	12	5,6	2	2	-	4	12	∞	∞	∞	∞	∞
141V080R050Z4-MEGA-64	2	E	8	8	8	60	16	16	7,4	0,5	2	-	4	16	∞	∞	∞	∞	∞
141V080R100Z4-MEGA-64	2	E	8	8	8	60	16	16	7,4	1	2	-	4	16	∞	∞	∞	∞	∞
141V080R150Z4-MEGA-64	2	E	8	8	8	60	16	16	7,4	1,5	2	-	4	16	∞	∞	∞	∞	∞
141V080R200Z4-MEGA-64	2	E	8	8	8	60	16	16	7,4	2	2	-	4	∞	∞	∞	∞	∞	∞
141V080R300Z4-MEGA-64	2	E	8	8	8	60	16	16	7,4	3	2	-	4	∞	∞	∞	∞	∞	∞
141V100R050Z4-MEGA-64	2	E	10	10	10	70	20	20	9,4	0,5	2	-	4	20	∞	∞	∞	∞	∞
141V100R100Z4-MEGA-64	2	E	10	10	10	70	20	20	9,4	1	2	-	4	20	∞	∞	∞	∞	∞
141V100R200Z4-MEGA-64	2	E	10	10	10	70	20	20	9,4	2	2	-	4	20	∞	∞	∞	∞	∞
141V100R250Z4-MEGA-64	2	E	10	10	10	70	20	20	9,4	2,5	2	-	4	20	∞	∞	∞	∞	∞
141V120R100Z4-MEGA-64	2	E	12	12	12	75	24	24	11,4	1	3	-	4	24	∞	∞	∞	∞	∞
141V120R200Z4-MEGA-64	2	E	12	12	12	75	24	24	11,4	2	3	-	4	24	∞	∞	∞	∞	∞
141V120R300Z4-MEGA-64	2	E	12	12	12	75	24	24	11,4	3	3	-	4	24	∞	∞	∞	∞	∞
141V160R400Z4-MEGA-64	2	E	16	16	16	90	32	32	15,4	4	4	-	4	32	∞	∞	∞	∞	∞
141VL020R030TNZ2-MEGA-64	3	J	2	6	2	50	-	10	1,9	0,3	2	7	2	5,6	10,3	10,7	11	11,4	12,3
141VL020R050TNZ2-MEGA-64	3	J	2	6	2	50	-	10	1,9	0,5	2	7	2	5,6	10,3	10,6	11	11,4	12,3
141VL030R050TNZ2-MEGA-64	3	J	3	6	3	60	-	15	2,8	0,5	2	4,5	2	9,9	15,5	16,1	16,6	17,2	18,6
141VL030R100TNZ2-MEGA-64	3	J	3	6	3	60	-	15	2,8	1	2	4,5	2	9,9	15,5	16	16,6	17,2	18,5
141VL040R030TNZ2-MEGA-64	3	J	4	6	4	60	-	20	3,7	0,3	2	2,5	2	14,3	20,8	21,5	22,3	23,1	∞
141VL040R050TNZ2-MEGA-64	3	J	4	6	4	60	-	20	3,7	0,5	2	2,5	2	14,3	20,8	21,5	22,3	23,1	∞
141VL040R100TNZ2-MEGA-64	3	J	4	6	4	60	-	20	3,7	1	2	3	2	14,3	20,8	21,5	22,2	23	∞
141VL060R050TNZ4-MEGA-64	3	J	6	8	6	75	-	30	5,6	0,5	2	1,8	4	18,8	30,9	32	33	∞	∞
141VL060R100TNZ4-MEGA-64	3	J	6	8	6	75	-	30	5,6	1	2	2	4	19,6	31,1	32,1	33,2	∞	∞
141VL060R150TNZ4-MEGA-64	3	J	6	8	6	75	-	30	5,6	1,5	2	2	4	19,6	31,1	32,1	33,2	∞	∞
141VL060R200TNZ4-MEGA-64	3	J	6	8	6	75	-	30	5,6	2	2	2	4	19,6	31	32	33,1	∞	∞
141VL080R050TNZ4-MEGA-64	3	J	8	10	8	85	-	40	7,4	0,5	2	1,4	4	27,3	41,4	42,8	∞	∞	∞
141VL080R100TNZ4-MEGA-64	3	J	8	10	8	85	-	40	7,4	1	2	1,5	4	41,6	43	∞	∞	∞	∞

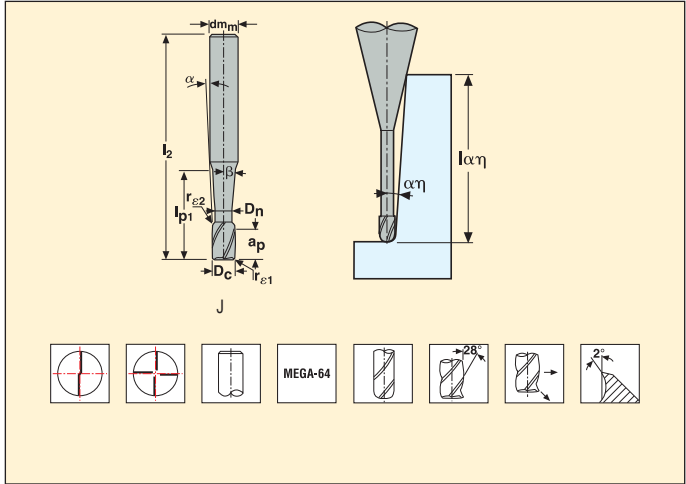
* The effective under-neck length for the various draft angles. Remark ∞ = infinity, no collision in projection length area.

JH141 – Solid carbide end mill – corner radius – cylindrical



Tolerances:

$dm_m = h5$
 $D_c = \varnothing 2-6 = -0,005/-0,015$ mm., $\varnothing 8-10 = -0,005/-0,02$ mm,
 $\varnothing 12-16 = -0,005/-0,025$ mm
 $r_{e1} = +/-0,01$ mm
 $\beta = 0,9$



Part No.	Length index	Tool shape	Dimensions in mm											Max. cut depth rel. to α_η (α_η , ref)*					
			D_c	dm_m	a_p	l_2	l_{p1}	D_n	r_{e1}	r_{e2}	α_1°	z_n	0°	0.5°	1°	1.5°	2°	3°	
141VL080R150TNZ4-MEGA-64	3	J	8	10	8	85	40	7,4	1,5	2	1,5	4			∞	∞	∞	∞	
141VL080R200TNZ4-MEGA-64	3	J	8	10	8	85	40	7,4	2	2	1,5	4	41,5	42,9	∞	∞	∞	∞	
141VL100R050TNZ4-MEGA-64	3	J	10	12	10	100	50	9,4	0,5	2	1,1	4	29,1	51,6	53,2	∞	∞	∞	
141VL100R100TNZ4-MEGA-64	3	J	10	12	10	100	50	9,4	1	2	1,5	4	30,1	51,7	53,4	∞	∞	∞	
141VL100R200TNZ4-MEGA-64	3	J	10	12	10	100	50	9,4	2	2	1,5	4	30,1	51,6	53,3	∞	∞	∞	
141VXL020R030TNZ2-MEGA-64	4	J	2	6	2	60	20	1,9	0,3	2	4,5	2	5,6	12,3	20,7	21,5	22,3	24	
141VXL020R050TNZ2-MEGA-64	4	J	2	6	2	60	20	1,9	0,5	2	4,5	2	5,6	12	20,7	21,4	22,2	24	
141VXL030R050TNZ2-MEGA-64	4	J	3	6	3	75	30	2,8	0,5	2	3	2	9,9	21,9	31,2	32,3	33,5	∞	
141VXL030R100TNZ2-MEGA-64	4	J	3	6	3	75	30	2,8	1	2	3	2	9,9	21,2	31,1	32,2	33,4	∞	
141VXL040R030TNZ2-MEGA-64	4	J	4	6	4	80	40	3,7	0,3	2	1,5	2	14,3	31,8	41,7	∞	∞	∞	
141VXL040R050TNZ2-MEGA-64	4	J	4	6	4	80	40	3,7	0,5	2	1,5	2	14,3	31,6	41,6	∞	∞	∞	
141VXL040R100TNZ2-MEGA-64	4	J	4	6	4	80	40	3,7	1	2	1,5	2	14,3	30,9	41,6	∞	∞	∞	
141VXL060R050TNZ4-MEGA-64	4	J	6	8	6	100	60	5,6	0,5	2	1,0	4	18,8	41,6	∞	∞	∞	∞	
141VXL060R100TNZ4-MEGA-64	4	J	6	8	6	100	60	5,6	1	2	1	4	19,6	42,9	62,3	∞	∞	∞	
141VXL060R150TNZ4-MEGA-64	4	J	6	8	6	100	60	5,6	1,5	2	1	4	19,6	42,2	∞	∞	∞	∞	
141VXL060R200TNZ4-MEGA-64	4	J	6	8	6	100	60	5,6	2	2	1	4	19,6	41,6	∞	∞	∞	∞	
141VXL080R050TNZ4-MEGA-64	4	J	8	10	8	125	80	7,4	0,5	2	0,8	4	27,3	60,9	∞	∞	∞	∞	
141VXL080R100TNZ4-MEGA-64	4	J	8	10	8	125	80	7,4	1	2	1	4	41,5	42,8	∞	∞	∞	∞	
141VXL100R050TNZ4-MEGA-64	4	J	10	16	10	150	100	9,4	0,5	2	0,6	4	29,1	65	∞	∞	∞	∞	
141VXL100R100TNZ4-MEGA-64	4	J	10	16	10	150	100	9,4	1	2	2	4	30,1	66,6	103,8	107,5	∞	∞	
141VXL060R050TNZ2-MEGA-64	5	J	6	10	6	130	90	5,6	0,5	2	1,3	2	18,8	41,6	92,1	∞	∞	∞	
141VXL080R050TNZ2-MEGA-64	5	J	8	12	8	165	120	7,4	0,5	2	1,0	2	27,3	60,9	∞	∞	∞	∞	
141VXL100R050TNZ2-MEGA-64	5	J	10	16	10	200	150	9,4	0,5	2	1,2	2	29,1	65	154	∞	∞	∞	

* The effective under -neck length for the various draft angles. Remark ∞ = infinity, no collision in projection length area.

Cutting data – JH141 Copy milling roughing $a_p/D_c = 0,05$

SMG		a_p / D_c	f_z								v_c
			2	3	4	6	8	10	12	16	
P1	M/E	0,050	0,018	0,028	0,036	0,055	0,075	0,090	0,11	0,13	510 (465 – 550)
P2	M/E	0,050	0,019	0,028	0,038	0,055	0,075	0,095	0,11	0,14	495 (450 – 530)
P3	M/E	0,050	0,018	0,026	0,036	0,055	0,070	0,090	0,10	0,13	425 (390 – 465)
P4	M/E	0,050	0,017	0,026	0,034	0,050	0,070	0,085	0,10	0,13	380 (345 – 410)
P5	M/E	0,050	0,017	0,026	0,034	0,050	0,065	0,085	0,10	0,12	360 (330 – 390)
P6	M/E	0,050	0,017	0,026	0,034	0,050	0,065	0,085	0,10	0,12	405 (370 – 440)
P7	M/E	0,050	0,017	0,026	0,034	0,050	0,065	0,085	0,10	0,12	385 (350 – 415)
P8	M/E	0,050	0,018	0,026	0,036	0,055	0,070	0,090	0,10	0,13	360 (330 – 390)
P11	M/E	0,050	0,017	0,026	0,034	0,050	0,065	0,085	0,10	0,12	370 (340 – 405)
K1	A/E	0,050	0,019	0,028	0,038	0,055	0,075	0,095	0,11	0,14	355 (325 – 385)
K2	A/E	0,050	0,017	0,026	0,034	0,050	0,065	0,085	0,10	0,12	315 (285 – 340)
K3	A/E	0,050	0,017	0,026	0,034	0,050	0,065	0,085	0,10	0,12	265 (245 – 285)
K4	A/E	0,050	0,017	0,026	0,034	0,050	0,065	0,085	0,10	0,12	255 (230 – 275)
K5	A/E	0,050	0,015	0,022	0,030	0,046	0,060	0,075	0,090	0,11	155 (140 – 165)
K6	A/E	0,050	0,017	0,026	0,034	0,050	0,065	0,085	0,10	0,12	225 (205 – 240)
K7	A/E	0,050	0,015	0,022	0,030	0,046	0,060	0,075	0,090	0,11	195 (180 – 210)

SMG = Seco material group

Coolant = A=air D=dry E=emulsion M=mist spray

v_c = m/min

f_z = mm

a_p (mm)/ D_c (mm)= factor

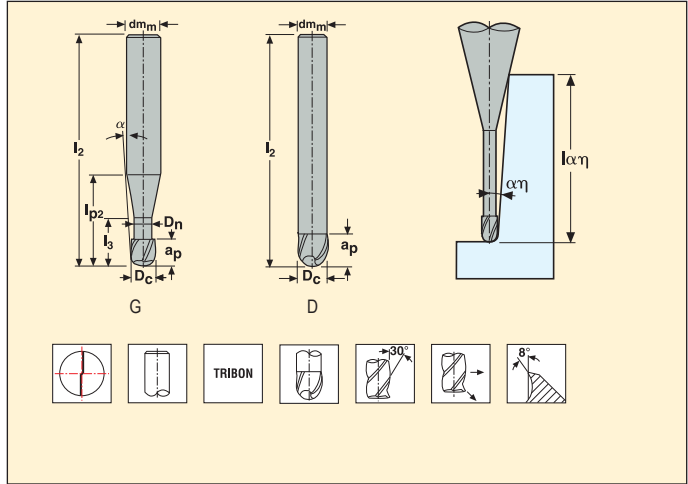
a_s (mm)/ D_c (mm)= factor

All cutting data are target values

JH970 – Solid carbide end mill – cylindrical – ball nose – two flute



Tolerances:
 $dm_m = h5$
 $D_c = 0,02/-0,04$ mm
 Radius = $\pm 0,01$ mm



Part No.	Length index	Tool shape	Dimensions in mm									Max. cut depth rel. to $\alpha\eta$ ($\alpha\eta$, ref)*						
			D _c	dm _m	a _p	l ₂	l ₃	l _{p2}	D _n	α°	z _n	0°	0.5°	1°	1.5°	2°	3°	
			970021-TRIBON	1	G	2	3	3	50	10	13,3	1,9	2,5	2	10	11	11,5	12,1
970031-TRIBON	1	D	3	3	4,5	50	-	-	-	-	2	4,5	∞	∞	∞	∞	∞	∞
970041-TRIBON	1	D	4	4	6	60	-	-	-	-	2	6	∞	∞	∞	∞	∞	∞
970051-TRIBON	1	D	5	5	7,5	60	-	-	-	-	2	7,5	∞	∞	∞	∞	∞	∞
970061-TRIBON	1	D	6	6	9	75	-	-	-	-	2	9	∞	∞	∞	∞	∞	∞
970020-TRIBON	2	G	2	6	3	60	4	15,8	1,9	8	2	4	4,7	4,9	5,1	5,4	6	
970025-TRIBON	2	G	2,5	6	4	60	5	15,4	2,4	7,5	2	5	5,7	6	6,2	6,5	7,3	
970030-TRIBON	2	G	3	6	4,5	60	6	18,4	2,8	5,5	2	6	7,4	7,8	8,3	9	10,6	
970035-TRIBON	2	G	3,5	6	5	60	7	17,8	3,2	4,5	2	7	8,8	9,4	10	10,7	12,8	
970040-TRIBON	2	G	4	6	6	60	8	21,3	3,7	3	2	8	10,8	11,9	13,3	15,2	∞	
970050-TRIBON	2	G	5	6	7,5	60	10	18,2	4,6	2	2	10	13,6	15	16,8	∞	∞	
970060-TRIBON	2	G	6	8	9	75	12	25,9	5,6	2,5	2	12	15,8	17,4	19,4	22,2	∞	
970080-TRIBON	2	D	8	8	12	75	-	-	-	-	2	12	∞	∞	∞	∞	∞	
970100-TRIBON	2	D	10	10	15	80	-	-	-	-	2	15	∞	∞	∞	∞	∞	
970120-TRIBON	2	D	12	12	18	90	-	-	-	-	2	18	∞	∞	∞	∞	∞	
970160-TRIBON	2	D	16	16	24	100	-	-	-	-	2	24	∞	∞	∞	∞	∞	
970L020-TRIBON	3	G	2	6	3	80	4	15,8	1,9	8	2	4	4,7	4,9	5,1	5,4	6	
970L030-TRIBON	3	G	3	6	4,5	80	6	18,4	2,8	5,5	2	6	7,4	7,8	8,3	9	10,6	
970L040-TRIBON	3	G	4	6	6	80	8	21,3	3,7	3	2	8	10,8	11,9	13,3	15,2	∞	
970L050-TRIBON	3	G	5	6	7,5	100	10	18,2	4,6	2	2	10	13,6	15	16,8	∞	∞	
970L060-TRIBON	3	G	6	8	9	100	12	25,9	5,6	2,5	2	12	15,8	17,4	19,4	22,2	∞	
970L080-TRIBON	3	D	8	8	12	110	-	-	-	-	2	12	∞	∞	∞	∞	∞	
970L100-TRIBON	3	D	10	10	15	125	-	-	-	-	2	15	∞	∞	∞	∞	∞	
970L120-TRIBON	3	D	12	12	18	125	-	-	-	-	2	18	∞	∞	∞	∞	∞	
970L160-TRIBON	3	D	16	16	24	150	-	-	-	-	2	24	∞	∞	∞	∞	∞	

* The effective under -neck length for the various draft angles. Remark ∞ = infinity, no collision in projection length area.

Cutting data – JH970 Copy milling rough $a_e/D_c = 0,3$

SMG		a_p / D_c	f_z									v_c
			2	3	4	5	6	8	10	12	16	
P1	M	0,13	0,036	0,055	0,070	0,090	0,11	0,14	0,18	0,22	0,28	320 (280 – 365)
P2	M	0,13	0,036	0,055	0,070	0,090	0,11	0,14	0,18	0,22	0,28	315 (270 – 365)
P3	M	0,13	0,036	0,055	0,070	0,090	0,11	0,14	0,18	0,22	0,28	270 (235 – 305)
P4	M	0,13	0,036	0,055	0,070	0,090	0,11	0,14	0,18	0,22	0,28	240 (205 – 270)
P5	M	0,13	0,036	0,055	0,070	0,090	0,11	0,14	0,18	0,22	0,28	225 (195 – 255)
P6	M	0,13	0,036	0,055	0,070	0,090	0,11	0,14	0,18	0,22	0,28	255 (220 – 290)
P7	M	0,13	0,036	0,055	0,070	0,090	0,11	0,14	0,18	0,22	0,28	240 (210 – 275)
P8	M	0,13	0,036	0,055	0,070	0,090	0,11	0,14	0,18	0,22	0,28	225 (195 – 255)
P11	M	0,13	0,036	0,055	0,070	0,090	0,11	0,14	0,18	0,22	0,28	235 (205 – 265)
S11	E	0,22	0,024	0,036	0,048	0,060	0,070	0,095	0,12	0,14	0,19	140 (120 – 160)
S12	E	0,22	0,024	0,036	0,048	0,060	0,070	0,095	0,12	0,14	0,19	105 (90 – 120)
S13	E	0,22	0,022	0,034	0,046	0,055	0,070	0,090	0,11	0,13	0,17	85 (70 – 95)

SMG = Seco material group

Coolant = A=air D=dry E=emulsion M=mist spray

v_c = m/min

f_z = mm

a_p (mm)/ D_c (mm)= factor

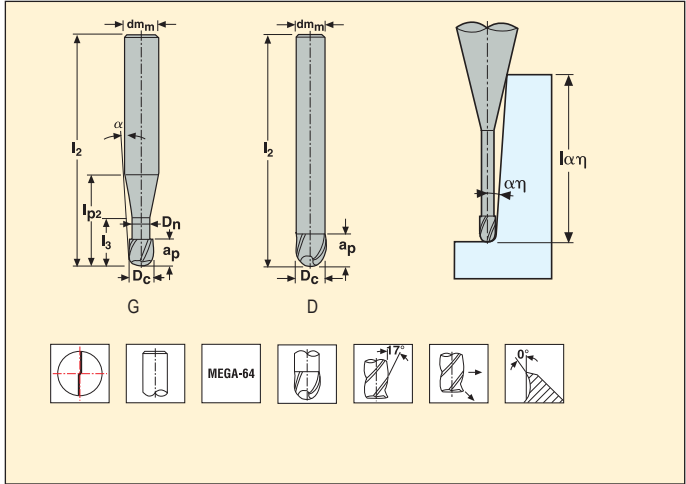
a_e (mm)/ D_c (mm)= factor

All cutting data are target values

JH111 – Solid carbide end mill – ball nose – cylindrical – two flute



Tolerances:
 $dm_m = h_5$
 $D_c = -0,02/-0,04 \text{ mm}$
 Radius = $\pm 0,01 \text{ mm}$



Part No.	Length index	Tool shape	Dimensions in mm								α°	z_n	Max. cut depth rel. to $\alpha\eta$ ($\alpha\eta, \text{ref}$)*					
			D_c	dm_m	a_p	l_2	l_3	l_{p2}	D_n	0°			0.5°	1°	1.5°	2°	3°	
111K020-MEGA-64	1	G	2	4	2	40	4	10	1,9	6,5	2	4	4,4	4,6	4,8	5	5,6	
111K030-MEGA-64	1	G	3	4	3	40	6	9,9	2,9	3,5	2	6	6,6	7	7,5	8	9,3	
111K040-MEGA-64	1	D	4	4	4	40	-	-	-	-	2	4	∞	∞	∞	∞	∞	
111K050-MEGA-64	1	G	5	6	5	50	10	18	4,6	2	2	10	13,3	14,7	16,4	∞	∞	
111K060-MEGA-64	1	D	6	6	6	50	-	-	-	-	2	6	∞	∞	∞	∞	∞	
111K080-MEGA-64	1	D	8	8	8	65	-	-	-	-	2	∞	∞	∞	∞	∞	∞	
111K100-MEGA-64	1	D	10	10	10	65	-	-	-	-	2	10	∞	∞	∞	∞	∞	
111021-MEGA-64	2	G	2	3	2	50	10	12	1,9	3	2	10	10,4	10,8	11,1	11,5	12,4	
111031-MEGA-64	2	D	3	3	3	50	-	-	-	-	2	3	∞	∞	∞	∞	∞	
111041-MEGA-64	2	D	4	4	4	60	-	-	-	-	2	4	∞	∞	∞	∞	∞	
111051-MEGA-64	2	D	5	5	5	60	-	-	-	-	2	5	∞	∞	∞	∞	∞	
111061-MEGA-64	2	D	6	6	6	75	-	-	-	-	2	6	∞	∞	∞	∞	∞	
111020-MEGA-64	3	G	2	6	2	60	4	16	1,9	8	2	4	4,4	4,6	4,8	5	5,6	
111025-MEGA-64	3	G	2,5	6	2,5	60	5	15,2	2,4	7,5	2	5	5,4	5,7	5,9	6,2	7	
111030-MEGA-64	3	G	3	6	3	60	6	18,1	2,8	5,5	2	6	7,1	7,5	8	8,6	10,2	
111035-MEGA-64	3	G	3,5	6	3,5	65	7	23	3,2	3,5	2	7	9,4	10,4	11,6	13,3	19,1	
111040-MEGA-64	3	G	4	6	4	65	8	21,1	3,7	3	2	8	10,5	11,6	13	14,8	21,3	
111050-MEGA-64	3	G	5	6	5	65	10	18	4,6	2	2	10	13,3	14,7	16,4	∞	∞	
111060-MEGA-64	3	G	6	8	6	75	12	25,7	5,6	3	2	12	15,5	17,1	19,1	21,8	∞	
111080-MEGA-64	3	G	8	8	8	75	-	-	-	-	2	8	∞	∞	∞	∞	∞	
111100-MEGA-64	3	D	10	10	10	80	-	-	-	-	2	10	∞	∞	∞	∞	∞	
111120-MEGA-64	3	D	12	12	12	90	-	-	-	-	2	12	∞	∞	∞	∞	∞	
111160-MEGA-64	3	D	16	16	16	100	-	-	-	-	2	16	∞	∞	∞	∞	∞	
111L020-MEGA-64	4	G	2	6	2	80	4	15,6	1,9	8	2	4	4,4	4,6	4,8	5	5,6	
111L030-MEGA-64	4	G	3	6	3	80	6	18,1	2,8	5,5	2	6	7,1	7,5	8	8,6	10,2	
111L040-MEGA-64	4	G	4	6	4	80	8	21,1	3,7	3	2	8	10,5	11,6	13	14,8	21,3	
111L050-MEGA-64	4	G	5	6	5	100	10	18	4,6	2	2	10	13,3	14,7	16,4	∞	∞	
111L060-MEGA-64	4	G	6	8	6	100	12	25,7	5,6	3	2	12	15,5	17,1	19,1	21,8	∞	
111L080-MEGA-64	4	D	8	8	8	110	-	-	-	-	2	8	∞	∞	∞	∞	∞	
111L100-MEGA-64	4	G	10	10	10	125	-	-	-	-	2	10	∞	∞	∞	∞	∞	
111L120-MEGA-64	4	D	12	12	12	125	-	-	-	-	2	12	∞	∞	∞	∞	∞	
111L160-MEGA-64	4	G	16	16	16	150	-	-	-	-	2	16	∞	∞	∞	∞	∞	

* The effective under -neck length for the various draft angles. Remark ∞ = infinity, no collision in projection length area.

Cutting data – JH111 Copy milling roughing $a_p/D_c = 0,2$

SMG		a_p / D_c	f_z											v_c
			2	2.5	3	3.5	4	5	6	8	10	12	16	
K4	E	0,30	0,024	0,030	0,036	0,044	0,055	0,070	0,095	0,12	0,16	0,18	0,22	215 (175 – 260)
K5	E	0,30	0,020	0,026	0,034	0,040	0,048	0,065	0,085	0,11	0,14	0,17	0,20	130 (105 – 160)
K6	E	0,30	0,024	0,030	0,036	0,044	0,055	0,070	0,095	0,12	0,16	0,18	0,22	190 (150 – 230)
K7	E	0,30	0,020	0,026	0,034	0,040	0,048	0,065	0,085	0,11	0,14	0,17	0,20	170 (135 – 205)
H3	M	0,20	0,024	0,032	0,042	0,050	0,060	0,080	0,095	0,12	0,16	0,18	0,22	125 (100 – 145)
H7	M	0,17	0,026	0,034	0,044	0,055	0,060	0,080	0,095	0,12	0,16	0,18	0,22	125 (105 – 145)

Cutting data – JH111 Copy milling roughing $a_p/D_c = 0,3$

SMG		a_p / D_c	f_z											v_c
			2	2.5	3	3.5	4	5	6	8	10	12	16	
K1	E	0,30	0,020	0,026	0,032	0,038	0,046	0,060	0,080	0,11	0,13	0,16	0,20	295 (235 – 350)
K2	E	0,30	0,018	0,024	0,030	0,036	0,042	0,055	0,075	0,10	0,12	0,14	0,18	260 (205 – 310)
K3	E	0,30	0,018	0,024	0,030	0,036	0,042	0,055	0,075	0,10	0,12	0,14	0,18	220 (175 – 260)
H5	M	0,20	0,030	0,040	0,050	0,065	0,080	0,10	0,12	0,16	0,20	0,24	0,28	200 (165 – 235)
H8	M	0,20	0,036	0,048	0,060	0,075	0,090	0,11	0,14	0,18	0,22	0,26	0,34	195 (160 – 230)
H21	M	0,20	0,036	0,048	0,060	0,075	0,090	0,11	0,14	0,18	0,22	0,26	0,34	195 (160 – 230)
H31	M	0,20	0,030	0,040	0,050	0,065	0,080	0,10	0,12	0,16	0,20	0,24	0,28	150 (125 – 175)

SMG = Seco material group

Coolant = A=air D=dry E=emulsion M=mist spray

v_c = m/min

f_z = mm

a_p (mm)/ D_c (mm)= factor

a_e (mm)/ D_c (mm)= factor

All cutting data are target values

Cutting data – JH150 Copy milling roughing $a_e/D_c = 0,1$

SMG		a_p / D_c	f_z				v_c
			6	8	10	12	
K5	A	0,15	0,090	0,12	0,15	0,17	120 (85 — 135)
K6	A	0,15	0,090	0,12	0,15	0,18	180 (125 — 200)
K7	A	0,15	0,090	0,12	0,15	0,17	155 (110 — 170)
H3	M	0,030	0,065	0,085	0,11	0,13	110 (95 — 125)
H5	M	0,060	0,090	0,12	0,15	0,18	210 (185 — 235)
H7	M	0,026	0,065	0,085	0,11	0,13	110 (95 — 120)
H8	M	0,060	0,090	0,12	0,15	0,18	210 (185 — 235)
H11	M	0,060	0,090	0,12	0,15	0,18	270 (235 — 300)
H12	M	0,060	0,090	0,12	0,15	0,18	435 (380 — 485)
H21	M	0,060	0,090	0,12	0,15	0,18	210 (185 — 235)
H31	M	0,060	0,090	0,12	0,15	0,18	160 (140 — 175)

Cutting data – JH150 Copy milling roughing $a_e/D_c = 0,3$

SMG		a_p / D_c	f_z				v_c
			6	8	10	12	
K1	A	0,15	0,080	0,11	0,13	0,16	240 (165 — 265)
K2	A	0,15	0,075	0,095	0,12	0,14	210 (145 — 230)
K3	A	0,15	0,075	0,095	0,12	0,14	175 (125 — 195)

SMG = Seco material group

Coolant = A=air D=dry E=emulsion M=mist spray

v_c = m/min

f_z = mm

a_p (mm)/ D_c (mm)= factor

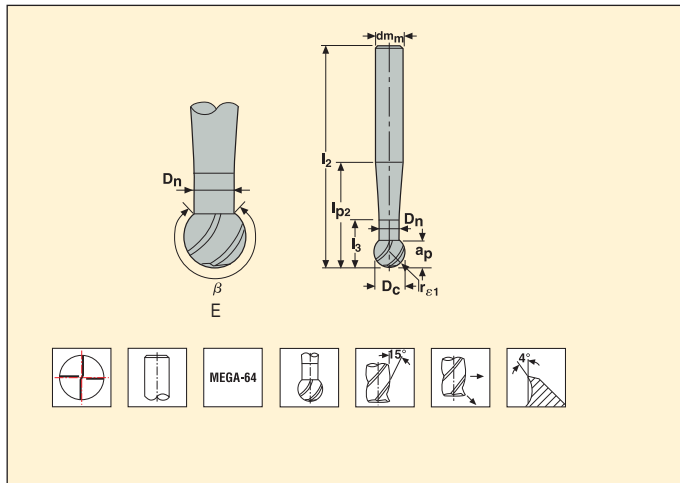
a_e (mm)/ D_c (mm)= factor

All cutting data are target values

JH160 – Solid carbide end mill – ball sphere 250° – cylindrical – four flute



Tolerances:
 $dm_m = h5$
 $D_c = 0,02/-0,06 \text{ mm}$



Part No.	Length index	Tool shape	Dimensions in mm							ε_1	r_{ε_1}	β	z_n
			D_c	dm_m	a_p	l_2	l_3	l_{p2}	D_n				
160040-MEGA-64	2	E	4	4	3,1	60	5,6	11	2,4	0,36	2	250	4
160050-MEGA-64	2	E	5	5	3,9	70	6,4	13	3	0,45	2,5	250	4
160060-MEGA-64	2	E	6	6	4,7	80	9,7	17,3	3,6	0,54	3	250	4
160080-MEGA-64	2	E	8	8	6,2	85	11,2	21,3	4,8	0,72	4	250	4
160100-MEGA-64	2	E	10	10	7,8	100	15,6	27,9	6	0,9	5	250	4
160120-MEGA-64	2	E	12	12	9,4	125	17,2	31,8	7,2	1,08	6	250	4

Cutting data – JH160 Copy milling finishing $a_p/D_c = 0,1$

SMG		a_p / D_c	f_z							v_c
			3	4	5	6	8	10	12	
P1	M/E/A	0,048	0,044	0,060	0,075	0,090	0,12	0,15	0,18	940 (880 — 1000)
P2	M/E/A	0,048	0,044	0,060	0,075	0,090	0,12	0,15	0,18	920 (860 — 980)
P3	M/E/A	0,048	0,044	0,060	0,075	0,090	0,12	0,15	0,18	790 (740 — 840)
P4	M/E/A	0,048	0,044	0,060	0,075	0,090	0,12	0,15	0,18	700 (650 — 740)
P5	M/E/A	0,048	0,044	0,060	0,075	0,090	0,12	0,15	0,18	660 (620 — 710)
P6	M/E/A	0,048	0,044	0,060	0,075	0,090	0,12	0,15	0,18	750 (700 — 790)
P7	M/E/A	0,048	0,044	0,060	0,075	0,090	0,12	0,15	0,18	700 (660 — 750)
P8	M/E/A	0,048	0,044	0,060	0,075	0,090	0,12	0,15	0,18	660 (620 — 710)
P11	M/E/A	0,048	0,044	0,060	0,075	0,090	0,12	0,15	0,18	680 (640 — 730)
H3	M/E/A	0,032	0,044	0,060	0,075	0,090	0,12	0,15	0,18	255 (235 — 275)
H5	M/E/A	0,60	0,028	0,040	0,050	0,060	0,090	0,13	0,16	510 (475 — 550)
H7	M/E/A	0,032	0,044	0,060	0,075	0,090	0,12	0,15	0,18	255 (235 — 275)
H8	M/E/A	0,032	0,044	0,060	0,075	0,090	0,12	0,15	0,18	470 (435 — 500)
H21	M/E/A	0,032	0,044	0,060	0,075	0,090	0,12	0,15	0,18	470 (435 — 500)
H31	M/E/A	0,032	0,044	0,060	0,075	0,090	0,12	0,15	0,18	355 (330 — 380)

SMG = Seco material group

Coolant = A=air D=dry E=emulsion M=mist spray

v_c = m/min

f_z = mm

a_p (mm)/ D_c (mm)= factor

a_e (mm)/ D_c (mm)= factor

All cutting data are target values



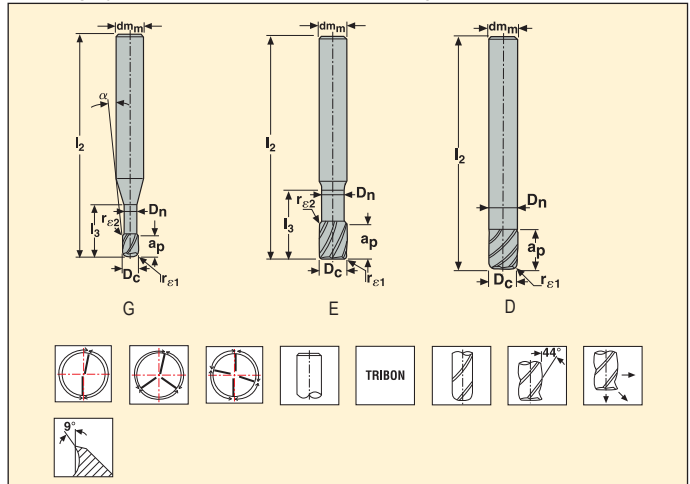
Name		JHP750	JHP760	JHP770	JHP780	JCO710	JH720
Page		159-161	162-164	165-169	170-172	173-175	176-177
Family		HPM	HPM	HPM	HPM	Hss-Co	HSM/TORNADO
Type of mill							
Shank	Cylindrical	■	■	■	■		■
	Weldon	■	■	■	■	■	
Number of flutes		2-3-4	2-4	4-5	4	4-6	3
ICC			■	■			
Diameter range	Metric	2-25	4-25	6-25	6-25	16-50	2-16
	Inch						
Lengths available, based on length index		 1,2	 2,3	 2	 2	 2,4	 2,3,4
Operation							
SMG							
M1			•			•	•
M2			•			•	•
M3			•			•	•
M4			•			•	•
M5			•			•	•
S1		•			•		○
S2		•			•		○
S3		•			•		○
S11		•		•		•	•
S12		•		•		•	•
S13		•		•		•	•

■ Stock standard □ Weldon available, delivery time is 3 days
 • Preferred choice, ○ Alternative choice

JHP750 – Solid carbide end mill – corner radius, polished coating, cylindrical shank – unequal flute spacing



Tolerances:
 $dm_m = h5$
 $D_c = -0,02 / -0,04 \text{ mm}$
 $r_{e1} = \pm 0,02 \text{ mm}$



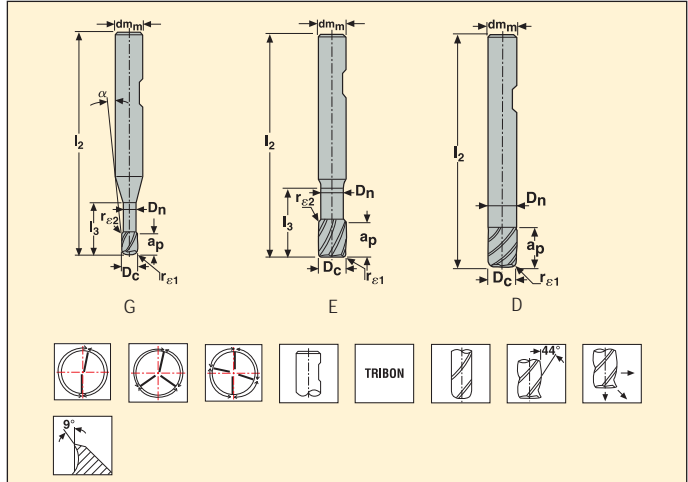
Part No.	Length index	Tool shape	Dimensions in mm										Cylindrical
			D_c	dm_m	a_p	l_2	l_3	D_n	r_{e1}	r_{e2}	α°	z_n	
750K080R040.0-TRIBON	1	D	8	8	16	55	–	–	0,4	–	–	4	■
750K100R040.0-TRIBON	1	D	10	10	20	65	–	–	0,4	–	–	4	■
750K100R150.0-TRIBON	1	D	10	10	20	65	–	–	1,5	–	–	4	■
750K120R040.0-TRIBON	1	D	12	12	24	75	–	–	0,4	–	–	4	■
750K120R150.0-TRIBON	1	D	12	12	24	75	–	–	1,5	–	–	4	■
750K160R040.0-TRIBON	1	D	16	16	32	90	–	–	0,4	–	–	4	■
750K160R310.0-TRIBON	1	D	16	16	32	90	–	–	3,1	–	–	4	■
750K160R400.0-TRIBON	1	D	16	16	32	90	–	–	4	–	–	4	■
750K160R150.0-TRIBON	1	D	16	16	32	90	–	–	1,5	–	–	4	■
750K200R080.0-TRIBON	1	D	20	20	40	100	–	–	0,8	–	–	4	■
750K200R310.0-TRIBON	1	D	20	20	40	100	–	–	3,1	–	–	4	■
750K200R400.0-TRIBON	1	D	20	20	40	100	–	–	4	–	–	4	■
750020R020.0-TRIBON	2	G	2	3	3	40	6	1,9	0,2	2	4	2	■
750030R020.0-TRIBON	2	E	3	3	4,5	40	9	2,8	0,2	2	–	2	■
750040R020.0-TRIBON	2	G	4	6	6	40	9	3,7	0,2	2	5	2	■
750050R030.0-TRIBON	2	G	5	6	7,5	40	9	4,6	0,3	2	3	2	■
750060R030.0-TRIBON	2	E	6	6	9	50	19	5,6	0,3	2	–	3	■
750080R040.0-TRIBON	2	E	8	8	16	60	24	7,4	0,4	2	–	4	■
750100R040.0-TRIBON	2	E	10	10	20	70	30	9,4	0,4	2	–	4	■
750100R080.0-TRIBON	2	E	10	10	20	70	30	9,4	0,8	2	–	4	■
750100R200.0-TRIBON	2	E	10	10	20	70	30	9,4	2	2	–	4	■
750120R040.0-TRIBON	2	E	12	12	24	80	35	11,4	0,4	3	–	4	■
750120R080.0-TRIBON	2	E	12	12	24	80	35	11,4	0,8	3	–	4	■
750120R200.0-TRIBON	2	E	12	12	24	80	35	11,4	2	3	–	4	■
750120R310.0-TRIBON	2	E	12	12	24	80	35	11,4	3,1	3	–	4	■
750140R080.0-TRIBON	2	E	14	14	28	90	45	13,4	0,8	4	–	4	■
750140R250.0-TRIBON	2	E	14	14	28	90	45	13,4	2,5	4	–	4	■
750160R040.0-TRIBON	2	E	16	16	32	100	52	15,4	0,4	4	–	4	■
750160R080.0-TRIBON	2	E	16	16	32	100	52	15,4	0,8	4	–	4	■
750160R200.0-TRIBON	2	E	16	16	32	100	52	15,4	2	4	–	4	■
750160R310.0-TRIBON	2	E	16	16	32	100	52	15,4	3,1	4	–	4	■
750160R400.0-TRIBON	2	E	16	16	32	100	52	15,4	4	4	–	4	■
750180R250.0-TRIBON	2	E	18	18	36	100	52	17,4	2,5	4	–	4	■
750200R080.0-TRIBON	2	E	20	20	40	125	75	19,4	0,8	4	–	4	■
750200R200.0-TRIBON	2	E	20	20	40	125	75	19,4	2	4	–	4	■
750200R310.0-TRIBON	2	E	20	20	40	125	75	19,4	3,1	4	–	4	■
750200R400.0-TRIBON	2	E	20	20	40	125	75	19,4	4	4	–	4	■

■ Stock standard. Subject to change refer to current price-and stock-list.

JHP750 – Solid carbide end mill – corner radius, polished coating, Weldon shank – unequal flute spacing



Tolerances:
 $dm_m = h_5$
 $D_c = -0,02/-0,04 \text{ mm}$
 $r_{\epsilon 1} = +/-0,02 \text{ mm}$



Part No.	Length index	Tool shape	Dimensions in mm					$r_{\epsilon 1}$	z_n	Weldon
			D_c	dm_m	a_p	l_2	l_3			
750K080R040-TRIBON	1	D	8	8	16	55	16	0,4	4	■
750K100R040-TRIBON	1	D	10	10	20	65	20	0,4	4	■
750K100R150-TRIBON	1	D	10	10	20	65	20	1,5	4	■
750K120R040-TRIBON	1	D	12	12	24	75	24	0,4	4	■
750K120R150-TRIBON	1	D	12	12	24	75	24	1,5	4	■
750K160R040-TRIBON	1	D	16	16	32	90	32	0,4	4	■
750K160R310-TRIBON	1	D	16	16	32	90	32	3,1	4	■
750K160R400-TRIBON	1	D	16	16	32	90	32	4	4	■
750K160R150-TRIBON	1	D	16	16	32	90	32	1,5	4	■
750K200R080-TRIBON	1	D	20	20	40	100	40	0,8	4	■
750K200R310-TRIBON	1	D	20	20	40	100	40	3,1	4	■
750K200R400-TRIBON	1	D	20	20	40	100	40	4	4	■
750K250R050-TRIBON	1	D	25	25	50	125	50	0,5	4	■
750K250R100-TRIBON	1	D	25	25	50	125	50	1	4	■
750K250R200-TRIBON	1	D	25	25	50	125	50	2	4	■
750K250R400-TRIBON	1	D	25	25	50	125	50	4	4	■
750040R020.0-TRIBON	2	G	4	6	6	40	6	0,2	2	■
750050R030.0-TRIBON	2	G	5	6	7,5	40	7,5	0,3	2	■
750060R030.0-TRIBON	2	E	6	6	9	50	9	0,3	3	■
750080R040-TRIBON	2	E	8	8	16	60	16	0,4	4	■
750100R040-TRIBON	2	E	10	10	20	70	20	0,4	4	■
750100R080-TRIBON	2	E	10	10	20	70	20	0,8	4	■
750100R200-TRIBON	2	E	10	10	20	70	20	2	4	■
750120R040-TRIBON	2	E	12	12	24	80	24	0,4	4	■
750120R080-TRIBON	2	E	12	12	24	80	24	0,8	4	■
750120R200-TRIBON	2	E	12	12	24	80	24	2	4	■
750120R310-TRIBON	2	E	12	12	24	80	24	3,1	4	■
750140R080-TRIBON	2	E	14	14	28	90	28	0,8	4	■
750140R250-TRIBON	2	E	14	14	28	90	28	2,5	4	■
750160R040-TRIBON	2	E	16	16	32	100	32	0,4	4	■
750160R080-TRIBON	2	E	16	16	32	100	32	0,8	4	■
750160R200-TRIBON	2	E	16	16	32	100	32	2	4	■
750160R310-TRIBON	2	E	16	16	32	100	32	3,1	4	■
750160R400-TRIBON	2	E	16	16	32	100	32	4	4	■
750180R250-TRIBON	2	E	18	18	36	100	36	2,5	4	■
750200R080-TRIBON	2	E	20	20	40	125	40	0,8	4	■
750200R200-TRIBON	2	E	20	20	40	125	40	2	4	■
750200R310-TRIBON	2	E	20	20	40	125	40	3,1	4	■
750200R400-TRIBON	2	E	20	20	40	125	40	4	4	■

Remark: if corner radius >15% of D_c then $a_p = -30\%$, $f_z = -20\%$

■ Stock standard. Subject to change refer to current price-and stock-list. □ Weldon available, delivery time is 3 days.

Cutting data – JHP750 Slotting

SMG		a_p / D_c	f_z											v_c
			2	3	4	6	8	10	12	14	16	18	20	
S1	E/M/A	0,44	0,014	0,020	0,028	0,042	0,055	0,070	0,085	0,10	0,11	0,13	0,14	33 (22 — 43)
S2	E/M/A	0,44	0,014	0,020	0,028	0,042	0,055	0,070	0,085	0,10	0,11	0,13	0,14	33 (22 — 43)
S3	E/M/A	0,44	0,014	0,020	0,028	0,042	0,055	0,070	0,085	0,10	0,11	0,13	0,14	19 (16 — 21)
S11	E/M/A	0,70	0,012	0,018	0,024	0,036	0,048	0,060	0,070	0,080	0,090	0,095	0,10	95 (80 — 110)
S12	E/M/A	0,70	0,012	0,018	0,024	0,036	0,048	0,060	0,070	0,080	0,090	0,095	0,10	75 (65 — 85)
S13	E/M/A	0,60	0,011	0,016	0,022	0,032	0,042	0,055	0,060	0,070	0,075	0,085	0,090	60 (50 — 65)

Cutting data – JHP750 Side milling $a_e/D_c = 0,06$

SMG		a_p / D_c	f_z											v_c
			2	3	4	6	8	10	12	14	16	18	20	
S1	E/M/A	1,3	0,018	0,026	0,036	0,050	0,070	0,085	0,11	0,12	0,13	0,14	0,15	60 (39 — 80)
S2	E/M/A	1,3	0,018	0,026	0,036	0,050	0,070	0,085	0,11	0,12	0,13	0,14	0,15	60 (39 — 80)
S3	E/M/A	1,3	0,018	0,026	0,036	0,050	0,070	0,085	0,11	0,12	0,13	0,14	0,15	34 (28 — 38)
S11	E/M/A	1,3	0,016	0,024	0,032	0,048	0,065	0,080	0,095	0,11	0,13	0,14	0,16	170 (145 — 195)
S12	E/M/A	1,3	0,016	0,024	0,032	0,048	0,065	0,080	0,095	0,11	0,13	0,14	0,16	130 (110 — 150)
S13	E/M/A	1,3	0,016	0,024	0,032	0,048	0,065	0,080	0,095	0,11	0,13	0,14	0,16	100 (85 — 115)

SMG = Seco material group

Coolant = A=air D=dry E=emulsion M=mist spray

v_c = m/min

f_z = mm

a_p (mm)/ D_c (mm)= factor

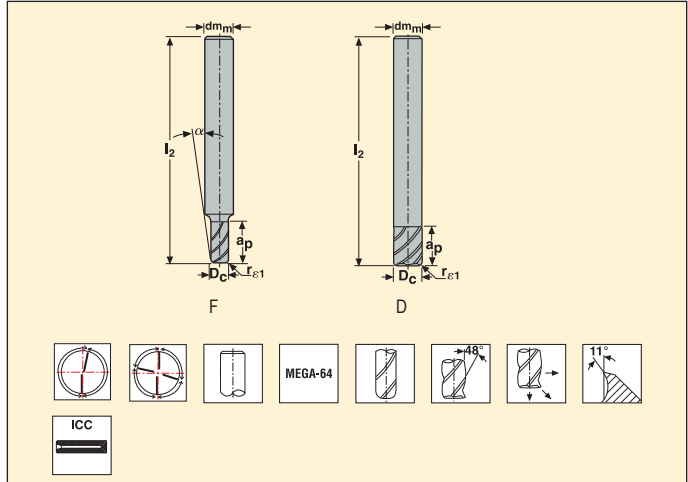
a_e (mm)/ D_c (mm)= factor

All cutting data are target values

JHP760 - Solid carbide end mill - corner radius, polished coating, cylindrical shank - unequal flute spacing



Tolerances:
 $dm_m = h5$
 $D_c = -0,02/-0,04 \text{ mm}$
 $r_{\epsilon 1} = +/-0,03 \text{ mm}$



Part No.	Length index	Tool shape	ICC	Dimensions in mm				$r_{\epsilon 1}$	α°	z_n	Cylindrical
				D_c	dm_m	a_p	l_2				
760040R040Z2.0A-MEGA-64	2	F	■	4	6	8	50	0,4	4	2	■
760040R020Z2.0A-MEGA-64	2	F	■	4	6	8	50	0,2	4	2	■
760050R020Z2.0A-MEGA-64	2	F	■	5	6	10	50	0,2	2	2	■
760050R040Z2.0A-MEGA-64	2	F	■	5	6	10	50	0,4	2	2	■
760060R020Z4.0A-MEGA-64	2	D	■	6	6	12	50	0,2	-	4	■
760060R040Z4.0A-MEGA-64	2	D	■	6	6	12	50	0,4	-	4	■
760080R040Z4.0A-MEGA-64	2	D	■	8	8	16	55	0,4	-	4	■
760080R100Z4.0A-MEGA-64	2	D	■	8	8	16	55	1	-	4	■
760100R040Z4.0A-MEGA-64	2	D	■	10	10	20	65	0,4	-	4	■
760100R100Z4.0A-MEGA-64	2	D	■	10	10	20	65	1	-	4	■
760100R150Z4.0A-MEGA-64	2	D	■	10	10	20	65	1,5	-	4	■
760120R040Z4.0A-MEGA-64	2	D	■	12	12	24	75	0,4	-	4	■
760120R100Z4.0A-MEGA-64	2	D	■	12	12	24	75	1	-	4	■
760120R150Z4.0A-MEGA-64	2	D	■	12	12	24	75	1,5	-	4	■
760120R310Z4.0A-MEGA-64	2	D	■	12	12	24	75	3,1	-	4	■
760200R040Z4.0A-MEGA-64	2	D	■	20	20	45	100	0,4	-	4	■
760200R080Z4.0A-MEGA-64	2	D	■	20	20	45	100	0,8	-	4	■
760250R050Z4.0A-MEGA-64	2	D	■	25	25	45	110	0,5	-	4	■
760250R100Z4.0A-MEGA-64	2	D	■	25	25	45	110	1	-	4	■
760L080R040Z4.0A-MEGA-64	3	D	■	8	8	28	65	0,4	-	4	■
760L100R040Z4.0A-MEGA-64	3	D	■	10	10	36	75	0,4	-	4	■
760L100R100Z4.0A-MEGA-64	3	D	■	10	10	36	75	1	-	4	■
760L100R150Z4.0A-MEGA-64	3	D	■	10	10	36	75	1,5	-	4	■
760L100R200Z4.0A-MEGA-64	3	D	■	10	10	36	75	2	-	4	■
760L100R310Z4.0A-MEGA-64	3	D	■	10	10	36	75	3,1	-	4	■
760L120R040Z4.0A-MEGA-64	3	D	■	12	12	42	90	0,4	-	4	■
760L120R100Z4.0A-MEGA-64	3	D	■	12	12	42	90	1	-	4	■
760L120R150Z4.0A-MEGA-64	3	D	■	12	12	42	90	1,5	-	4	■
760L120R200Z4.0A-MEGA-64	3	D	■	12	12	42	90	2	-	4	■
760L160R040Z4.0A-MEGA-64	3	D	■	16	16	50	100	0,4	-	4	■
760L160R100Z4.0A-MEGA-64	3	D	■	16	16	50	100	1	-	4	■
760L160R150Z4.0A-MEGA-64	3	D	■	16	16	50	100	1,5	-	4	■
760L160R200Z4.0A-MEGA-64	3	D	■	16	16	50	100	2	-	4	■

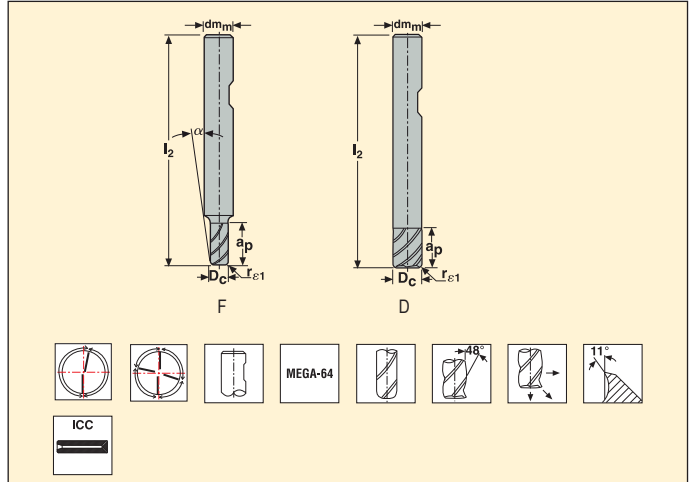
■ Stock standard. Subject to change refer to current price-and stock-list.

ICC= Internal Coolant Channel

JHP760 – Solid carbide end mill – corner radius, polished coating, Weldon shank – unequal flute spacing



Tolerances:
 $dm_m = h5$
 $D_c = -0,02 / -0,4 \text{ mm}$
 $r_{\epsilon 1} = + / -0,03 \text{ mm}$



Part No.	Length index	Tool shape	ICC	Dimensions in mm				$r_{\epsilon 1}$	Z_n	Weldon
				D_c	dm_m	a_p	l_2			
760040R020Z2.0A-MEGA-64W	2	F	■	4	6	8	50	0,2	2	<input type="checkbox"/>
760040R040Z2.0A-MEGA-64W	2	F	■	4	6	8	50	0,4	2	<input type="checkbox"/>
760050R020Z2.0A-MEGA-64W	2	F	■	5	6	10	50	0,2	2	<input type="checkbox"/>
760050R040Z2.0A-MEGA-64W	2	F	■	5	6	10	50	0,4	2	<input type="checkbox"/>
760060R020Z4.0A-MEGA-64W	2	D	■	6	6	12	50	0,2	4	<input type="checkbox"/>
760060R040Z4.0A-MEGA-64W	2	D	■	6	6	12	50	0,4	4	<input type="checkbox"/>
760080R040Z4.0A-MEGA-64W	2	D	■	8	8	16	55	0,4	4	<input type="checkbox"/>
760080R100Z4.0A-MEGA-64W	2	D	■	8	8	16	55	1	4	<input type="checkbox"/>
760100R040Z4A-MEGA-64	2	D	■	10	10	20	65	0,4	4	■
760100R100Z4A-MEGA-64	2	D	■	10	10	20	65	1	4	■
760100R150Z4A-MEGA-64	2	D	■	10	10	20	65	1,5	4	■
760100R200Z4A-MEGA-64	2	D	■	10	10	20	65	2	4	■
760120R040Z4A-MEGA-64	2	D	■	12	12	24	75	0,4	4	■
760120R100Z4A-MEGA-64	2	D	■	12	12	24	75	1	4	■
760120R150Z4A-MEGA-64	2	D	■	12	12	24	75	1,5	4	■
760120R200Z4A-MEGA-64	2	D	■	12	12	24	75	2	4	■
760120R400Z4A-MEGA-64	2	D	■	12	12	24	75	4	4	■
760160R040Z4A-MEGA-64	2	D	■	16	16	40	90	0,4	4	■
760160R100Z4A-MEGA-64	2	D	■	16	16	40	90	1	4	■
760160R150Z4A-MEGA-64	2	D	■	16	16	40	90	1,5	4	■
760160R200Z4A-MEGA-64	2	D	■	16	16	40	90	2	4	■
760200R040Z4A-MEGA-64	2	D	■	20	20	45	100	0,4	4	■
760200R080Z4A-MEGA-64	2	D	■	20	20	45	100	0,8	4	■
760250R050Z4A-MEGA-64	2	D	■	25	25	45	110	0,5	4	■
760250R100Z4A-MEGA-64	2	D	■	25	25	45	110	1	4	■
760L080R040Z4.0A-MEGA-64W	3	D	■	8	8	28	65	0,4	4	<input type="checkbox"/>
760L100R040Z4.0A-MEGA-64W	3	D	■	10	10	36	75	0,4	4	<input type="checkbox"/>
760L100R100Z4.0A-MEGA-64W	3	D	■	10	10	36	75	1	4	<input type="checkbox"/>
760L100R150Z4.0A-MEGA-64W	3	D	■	10	10	36	75	1,5	4	<input type="checkbox"/>
760L100R200Z4.0A-MEGA-64W	3	D	■	10	10	36	75	2	4	<input type="checkbox"/>
760L120R040Z4.0A-MEGA-64W	3	D	■	12	12	42	90	0,4	4	<input type="checkbox"/>
760L120R100Z4.0A-MEGA-64W	3	D	■	12	12	42	90	1	4	<input type="checkbox"/>
760L120R150Z4.0A-MEGA-64W	3	D	■	12	12	42	90	1,5	4	<input type="checkbox"/>
760L120R200Z4.0A-MEGA-64W	3	D	■	12	12	42	90	2	4	<input type="checkbox"/>
760L160R040Z4.0A-MEGA-64W	3	D	■	16	16	50	100	0,4	4	<input type="checkbox"/>
760L160R100Z4.0A-MEGA-64W	3	D	■	16	16	50	100	1	4	<input type="checkbox"/>
760L160R150Z4.0A-MEGA-64W	3	D	■	16	16	50	100	1,5	4	<input type="checkbox"/>
760L160R200Z4.0A-MEGA-64W	3	D	■	16	16	50	100	2	4	<input type="checkbox"/>

■ Stock standard. Subject to change refer to current price-and stock-list. □ Weldon available, delivery time is 3 days.

ICC=- Internal Coolant Channel

Cutting data – JHP760 Slotting

SMG		a_p / D_c	f_z								v_c
			4	5	6	8	10	12	16	20	
M1	E	1,0	0,018	0,022	0,026	0,036	0,044	0,050	0,065	0,075	105 (90 – 125)
M2	E	1,0	0,016	0,020	0,024	0,032	0,040	0,048	0,060	0,070	90 (75 – 105)
M3	E	0,80	0,013	0,016	0,019	0,026	0,032	0,038	0,048	0,055	70 (60 – 85)
M4	E	0,60	0,011	0,014	0,017	0,022	0,028	0,034	0,042	0,048	55 (45 – 65)
M5	E	0,60	0,011	0,014	0,017	0,022	0,028	0,034	0,042	0,048	45 (37 – 55)

Cutting data – JHP760 Side milling $a_e/D_c = 0,06$

SMG		a_p / D_c	f_z									v_c
			4	5	6	8	10	12	16	20	25	
M1	E	1,5	0,019	0,024	0,028	0,038	0,048	0,055	0,070	0,080	0,090	140 (115 – 165)
M2	E	1,5	0,017	0,022	0,026	0,034	0,044	0,050	0,065	0,075	0,085	115 (95 – 135)
M3	E	1,2	0,014	0,017	0,020	0,028	0,034	0,042	0,050	0,060	0,065	90 (75 – 105)
M4	E	0,90	0,012	0,015	0,018	0,024	0,030	0,036	0,044	0,050	0,060	70 (60 – 80)
M5	E	0,90	0,012	0,015	0,018	0,024	0,030	0,036	0,044	0,050	0,060	60 (48 – 70)

SMG = Seco material group

Coolant = A=air D=dry E=emulsion M=mist spray

v_c = m/min

f_z = mm

a_p (mm)/ D_c (mm)= factor

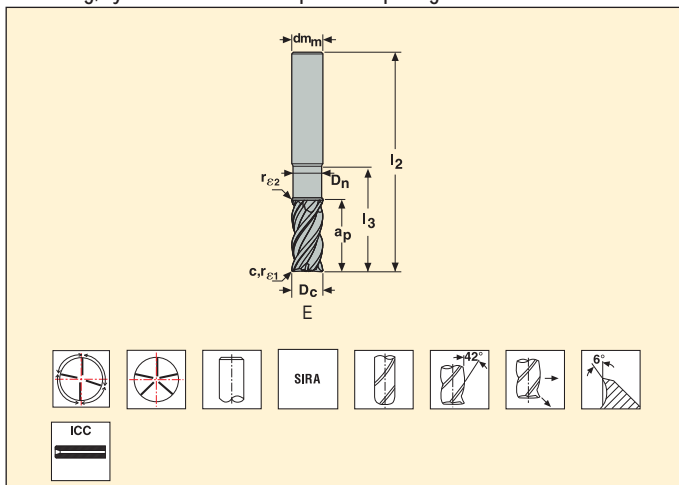
a_e (mm)/ D_c (mm)= factor

All cutting data are target values

JHP770 – Solid carbide end mill – corner radius – polished coating, cylindrical shank – unequal flute spacing



Tolerances:
 $dm_m = h5$
 $D_c = e7$
 $r_{e1} = \pm 0,02 \text{ mm}$



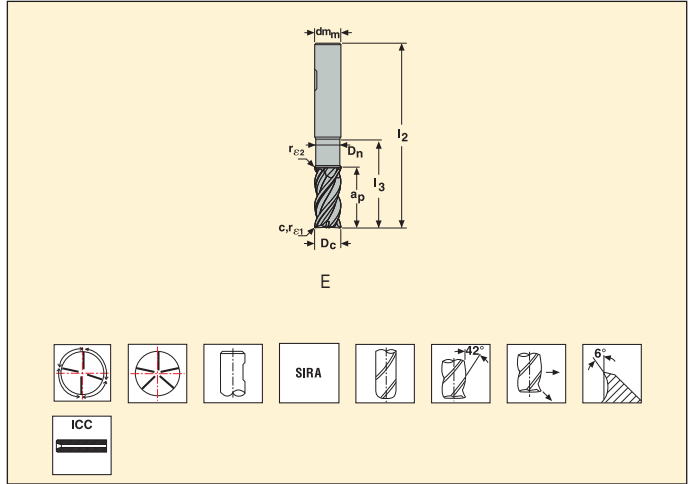
Part No.	Length index	Tool shape	ICC	Dimensions in mm						r_{e1}	r_{e2}	Z_n	Cylindrical
				D_c	dm_m	a_p	l_2	l_3	D_n				
JHP770060E2R030.0Z4A-SIRA	2	E	■	6	6	12	60	18	5,6	0,3	2	4	■
JHP770080E2R050.0Z4A-SIRA	2	E	■	8	8	16	65	24	7,4	0,5	2	4	■
JHP770100E2R050.0Z4A-SIRA	2	E	■	10	10	20	75	30	9,4	0,5	2	4	■
JHP770100E2R100.0Z4A-SIRA	2	E	■	10	10	20	75	30	9,4	1	2	4	■
JHP770120E2R050.0Z4A-SIRA	2	E	■	12	12	24	90	36	11,4	0,5	2	4	■
JHP770120E2R100.0Z4A-SIRA	2	E	■	12	12	24	90	36	11,4	1	2	4	■
JHP770120E2R250.0Z4A-SIRA	2	E	■	12	12	24	90	36	11,4	2,5	2	4	■
JHP770140E2R050.0Z4A-SIRA	2	E	■	14	14	28	95	42	13,4	0,5	2	4	■
JHP770160E2R050.0Z4A-SIRA	2	E	■	16	16	32	100	45	15,4	0,5	2	4	■
JHP770160E2R100.0Z4A-SIRA	2	E	■	16	16	32	100	45	15,4	1	2	4	■
JHP770160E2R250.0Z4A-SIRA	2	E	■	16	16	32	100	45	15,4	2,5	2	4	■
JHP770160E2R310.0Z4A-SIRA	2	E	■	16	16	32	100	45	15,4	3,1	2	4	■
JHP770160E2R400.0Z4A-SIRA	2	E	■	16	16	32	100	45	15,4	4	2	4	■
JHP770200E2R050.0Z4A-SIRA	2	E	■	20	20	40	115	55	19,4	0,5	2	4	■
JHP770200E2R100.0Z4A-SIRA	2	E	■	20	20	40	115	55	19,4	1	2	4	■
JHP770200E2R250.0Z4A-SIRA	2	E	■	20	20	40	115	55	19,4	2,5	2	4	■
JHP770200E2R310.0Z4A-SIRA	2	E	■	20	20	40	115	55	19,4	3,1	2	4	■
JHP770200E2R400.0Z4A-SIRA	2	E	■	20	20	40	115	55	19,4	4	2	4	■
JHP770250E2R050.0Z4A-SIRA	2	E	■	25	25	50	130	65	24,4	0,5	2	4	■
JHP770250E2R100.0Z4A-SIRA	2	E	■	25	25	50	130	65	24,4	1	2	4	■
JHP770250E2R310.0Z4A-SIRA	2	E	■	25	25	50	130	65	24,4	3,1	2	4	■
JHP770250E2R400.0Z4A-SIRA	2	E	■	25	25	50	130	65	24,4	4	2	4	■
JHP770160E2R050.0Z5A-SIRA	2	E	■	16	16	32	100	45	15,4	0,5	2	5	■
JHP770160E2R100.0Z5A-SIRA	2	E	■	16	16	32	100	45	15,4	1	2	5	■
JHP770160E2R250.0Z5A-SIRA	2	E	■	16	16	32	100	45	15,4	2,5	2	5	■
JHP770160E2R310.0Z5A-SIRA	2	E	■	16	16	32	100	45	15,4	3,1	2	5	■
JHP770160E2R400.0Z5A-SIRA	2	E	■	16	16	32	100	45	15,4	4	2	5	■
JHP770200E2R050.0Z5A-SIRA	2	E	■	20	20	40	115	55	19,4	0,5	2	5	■
JHP770200E2R100.0Z5A-SIRA	2	E	■	20	20	40	115	55	19,4	1	2	5	■
JHP770200E2R250.0Z5A-SIRA	2	E	■	20	20	40	115	55	19,4	2,5	2	5	■
JHP770200E2R310.0Z5A-SIRA	2	E	■	20	20	40	115	55	19,4	3,1	2	5	■
JHP770200E2R400.0Z5A-SIRA	2	E	■	20	20	40	115	55	19,4	4	2	5	■
JHP770250E2R050.0Z5A-SIRA	2	E	■	25	25	50	130	65	24,4	0,5	2	5	■
JHP770250E2R100.0Z5A-SIRA	2	E	■	25	25	50	130	65	24,4	1	2	5	■
JHP770250E2R310.0Z5A-SIRA	2	E	■	25	25	50	130	65	24,4	3,1	2	5	■
JHP770250E2R400.0Z5A-SIRA	2	E	■	25	25	50	130	65	24,4	4	2	5	■

Remark: if corner radius >15% of D_c then $a_p = -30\%$, $f_z = -20\%$
 ■ Stock standard. Subject to change refer to current price-and stock-list.
 ICC= Internal Coolant Channel

JHP770 - Solid carbide end mill - corner radius - polished coating, Weldon shank - unequal flute spacing



Tolerances:
 $dm_m = h5$
 $D_c = e7$
 $r_{e1} = +/- 0,02 \text{ mm}$



Part No.	Tool shape	Tool shape	ICC	Dimensions in mm						r_{e1}	r_{e2}	z_n	Weldon
				D_c	dm_m	a_p	l_2	l_3	D_n				
JHP770060E2R030.3Z4A-SIRA	2	E	■	6	6	12	60	18	5,6	0,3	2	4	■
JHP770080E2R050.3Z4A-SIRA	2	E	■	8	8	16	65	24	7,4	0,5	2	4	■
JHP770100E2R050.3Z4A-SIRA	2	E	■	10	10	20	75	30	9,4	0,5	2	4	■
JHP770100E2R100.3Z4A-SIRA	2	E	■	10	10	20	75	30	9,4	1	2	4	■
JHP770120E2R050.3Z4A-SIRA	2	E	■	12	12	24	90	36	11,4	0,5	2	4	■
JHP770120E2R100.3Z4A-SIRA	2	E	■	12	12	24	90	36	11,4	1	2	4	■
JHP770120E2R250.3Z4A-SIRA	2	E	■	12	12	24	90	36	11,4	2,5	2	4	■
JHP770140E2R050.3Z4A-SIRA	2	E	■	14	14	28	95	42	13,4	0,5	2	4	■
JHP770160E2R050.3Z4A-SIRA	2	E	■	16	16	32	100	45	15,4	0,5	2	4	■
JHP770160E2R100.3Z4A-SIRA	2	E	■	16	16	32	100	45	15,4	1	2	4	■
JHP770160E2R250.3Z4A-SIRA	2	E	■	16	16	32	100	45	15,4	2,5	2	4	■
JHP770160E2R310.3Z4A-SIRA	2	E	■	16	16	32	100	45	15,4	3,1	2	4	■
JHP770160E2R400.3Z4A-SIRA	2	E	■	16	16	32	100	45	15,4	4	2	4	■
JHP770200E2R050.3Z4A-SIRA	2	E	■	20	20	40	115	55	19,4	0,5	2	4	■
JHP770200E2R100.3Z4A-SIRA	2	E	■	20	20	40	115	55	19,4	1	2	4	■
JHP770200E2R250.3Z4A-SIRA	2	E	■	20	20	40	115	55	19,4	2,5	2	4	■
JHP770200E2R310.3Z4A-SIRA	2	E	■	20	20	40	115	55	19,4	3,1	2	4	■
JHP770200E2R400.3Z4A-SIRA	2	E	■	20	20	40	115	55	19,4	4	2	4	■
JHP770250E2R050.3Z4A-SIRA	2	E	■	25	25	50	130	65	24,4	0,5	2	4	■
JHP770250E2R100.3Z4A-SIRA	2	E	■	25	25	50	130	65	24,4	1	2	4	■
JHP770250E2R310.3Z4A-SIRA	2	E	■	25	25	50	130	65	24,4	3,1	2	4	■
JHP770250E2R400.3Z4A-SIRA	2	E	■	25	25	50	130	65	24,4	4	2	4	■
JHP770160E2R050.3Z5A-SIRA	2	E	■	16	16	32	100	45	15,4	0,5	2	5	■
JHP770160E2R100.3Z5A-SIRA	2	E	■	16	16	32	100	45	15,4	1	2	5	■
JHP770160E2R250.3Z5A-SIRA	2	E	■	16	16	32	100	45	15,4	2,5	2	5	■
JHP770160E2R310.3Z5A-SIRA	2	E	■	16	16	32	100	45	15,4	3,1	2	5	■
JHP770160E2R400.3Z5A-SIRA	2	E	■	16	16	32	100	45	15,4	4	2	5	■
JHP770200E2R050.3Z5A-SIRA	2	E	■	20	20	40	115	55	19,4	0,5	2	5	■
JHP770200E2R100.3Z5A-SIRA	2	E	■	20	20	40	115	55	19,4	1	2	5	■
JHP770200E2R250.3Z5A-SIRA	2	E	■	20	20	40	115	55	19,4	2,5	2	5	■
JHP770200E2R310.3Z5A-SIRA	2	E	■	20	20	40	115	55	19,4	3,1	2	5	■
JHP770200E2R400.3Z5A-SIRA	2	E	■	20	20	40	115	55	19,4	4	2	5	■
JHP770250E2R050.3Z5A-SIRA	2	E	■	25	25	50	130	65	24,4	0,5	2	5	■
JHP770250E2R100.3Z5A-SIRA	2	E	■	25	25	50	130	65	24,4	1	2	5	■
JHP770250E2R310.3Z5A-SIRA	2	E	■	25	25	50	130	65	24,4	3,1	2	5	■
JHP770250E2R400.3Z5A-SIRA	2	E	■	25	25	50	130	65	24,4	4	2	5	■

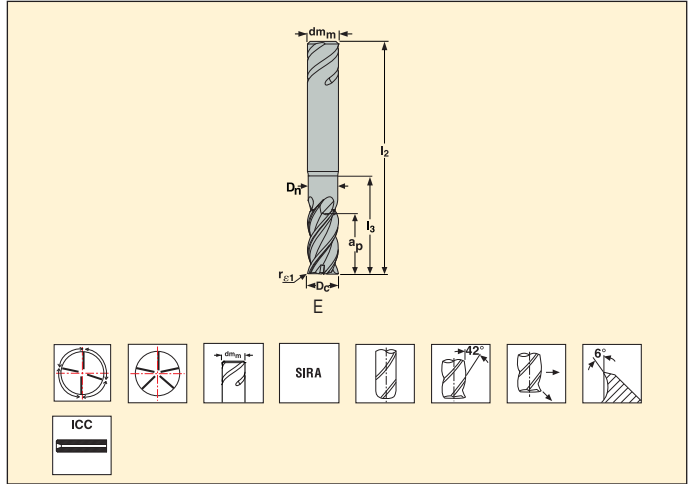
Remark: if corner radius >15% of D_c then $a_p = -30\%$, $f_z = -20\%$
 ■ Stock standard. Subject to change refer to current price-and stock-list.
 ICC = Internal Coolant Channel



JHP770 - Solid carbide end mill - corner radius - polished coating, Safelock - multi flute



Tolerances:
 $dm_m = h5$
 $D_c = e7$
 $r_{\epsilon 1} = +/- 0,02 \text{ mm}$



Part No.	Length index	Tool shape	Dimensions in mm						$r_{\epsilon 1}$	$r_{\epsilon 2}$	Z_n	Safelock
			D_c	dm_m	a_p	l_2	l_3	D_n				
JHP770120E2R050.9Z4A-SIRA	2	E	12	12	24	90	36	11	0,5	2	4	<input type="checkbox"/>
JHP770120E2R100.9Z4A-SIRA	2	E	12	12	24	90	36	11	1	2	4	<input type="checkbox"/>
JHP770120E2R250.9Z4A-SIRA	2	E	12	12	24	90	36	11	2,5	2	4	<input type="checkbox"/>
JHP770140E2R050.9Z4A-SIRA	2	E	14	14	28	95	42	13	0,5	2	4	<input type="checkbox"/>
JHP770160E2R100.9Z4A-SIRA	2	E	16	16	32	100	45	15	1	2	4	<input type="checkbox"/>
JHP770160E2R250.9Z4A-SIRA	2	E	16	16	32	100	45	15	2,5	2	4	<input type="checkbox"/>
JHP770160E2R310.9Z4A-SIRA	2	E	16	16	32	100	45	15	3,1	2	4	<input type="checkbox"/>
JHP770160E2R400.9Z4A-SIRA	2	E	16	16	32	100	45	15	4	2	4	<input type="checkbox"/>
JHP770200E2R050.9Z4A-SIRA	2	E	20	20	40	115	55	19	0,5	2	4	<input type="checkbox"/>
JHP770200E2R100.9Z4A-SIRA	2	E	20	20	40	115	55	19	1	2	4	<input type="checkbox"/>
JHP770200E2R250.9Z4A-SIRA	2	E	20	20	40	115	55	19	2,5	2	4	<input type="checkbox"/>
JHP770200E2R310.9Z4A-SIRA	2	E	20	20	40	115	55	19	3,1	2	4	<input type="checkbox"/>
JHP770200E2R400.9Z4A-SIRA	2	E	20	20	40	115	55	19	4	2	4	<input type="checkbox"/>
JHP770250E2R050.9Z4A-SIRA	2	E	25	25	50	130	65	24	0,5	2	4	<input type="checkbox"/>
JHP770250E2R100.9Z4A-SIRA	2	E	25	25	50	130	65	24	1	2	4	<input type="checkbox"/>
JHP770250E2R310.9Z4A-SIRA	2	E	25	25	50	130	65	24	3,1	2	4	<input type="checkbox"/>
JHP770250E2R400.9Z4A-SIRA	2	E	25	25	50	130	65	24	4	2	4	<input type="checkbox"/>
JHP770160E2R050.9Z5A-SIRA	2	E	16	16	32	100	45	15	0,5	2	5	<input type="checkbox"/>
JHP770160E2R100.9Z5A-SIRA	2	E	16	16	32	100	45	15	1	2	5	<input type="checkbox"/>
JHP770160E2R250.9Z5A-SIRA	2	E	16	16	32	100	45	15	2,5	2	5	<input type="checkbox"/>
JHP770160E2R310.9Z5A-SIRA	2	E	16	16	32	100	45	15	3,1	2	5	<input type="checkbox"/>
JHP770160E2R400.9Z5A-SIRA	2	E	16	16	32	100	45	15	4	2	5	<input type="checkbox"/>
JHP770200E2R050.9Z5A-SIRA	2	E	20	20	40	115	55	19	0,5	2	5	<input type="checkbox"/>
JHP770200E2R100.9Z5A-SIRA	2	E	20	20	40	115	55	19	1	2	5	<input type="checkbox"/>
JHP770200E2R250.9Z5A-SIRA	2	E	20	20	40	115	55	19	2,5	2	5	<input type="checkbox"/>
JHP770200E2R310.9Z5A-SIRA	2	E	20	20	40	115	55	19	3,1	2	5	<input type="checkbox"/>
JHP770200E2R400.9Z5A-SIRA	2	E	20	20	40	115	55	19	4	2	5	<input type="checkbox"/>
JHP770250E2R050.9Z5A-SIRA	2	E	25	25	50	130	65	24	0,5	2	5	<input type="checkbox"/>
JHP770250E2R100.9Z5A-SIRA	2	E	25	25	50	130	65	24	1	2	5	<input type="checkbox"/>
JHP770250E2R310.9Z5A-SIRA	2	E	25	25	50	130	65	24	3,1	2	5	<input type="checkbox"/>
JHP770250E2R400.9Z5A-SIRA	2	E	25	25	50	130	65	24	4	2	5	<input type="checkbox"/>

Remark: if corner radius >15% of D_c then $a_p = -30\%$, $f_z = -20\%$
 Safelock available. Subject to change refer to current price-and stock-list.

Cutting data – JHP770 Slotting

SMG		a_p / D_c	f_z								v_c
			6	8	10	12	14	16	20	25	
S11	E	1,0	0,030	0,040	0,050	0,060	0,065	0,075	0,085	0,095	110 (95 – 120)
S12	E	1,0	0,030	0,040	0,050	0,060	0,065	0,075	0,085	0,095	85 (75 – 95)
S13	E	0,85	0,026	0,036	0,044	0,050	0,060	0,065	0,075	0,085	65 (60 – 75)

Cutting data – JHP770 Slotting z_n5

SMG		a_p / D_c	f_z			v_c
			16	20	25	
S11	E	1,0	0,075	0,085	0,095	100 (85 – 110)
S12	E	1,0	0,075	0,085	0,095	75 (65 – 85)
S13	E	0,85	0,065	0,075	0,085	60 (55 – 70)

Cutting data – JHP770 Slotting z_n5 Internal coolant

SMG		a_p / D_c	f_z								v_c
			6	8	10	12	14	16	20	25	
S11	E	1,6	0,030	0,040	0,050	0,060	0,065	0,075	0,085	0,095	100 (85 – 110)
S12	E	1,6	0,030	0,040	0,050	0,060	0,065	0,075	0,085	0,095	75 (65 – 85)
S13	E	1,4	0,026	0,036	0,044	0,050	0,060	0,065	0,075	0,085	60 (55 – 70)

Cutting data – JHP770 Side milling $a_e/D_c = 0,4$

SMG		a_p / D_c	f_z								v_c
			6	8	10	12	14	16	20	25	
S11	E	1,8	0,030	0,040	0,050	0,060	0,070	0,075	0,085	0,10	135 (115 – 150)
S12	E	1,8	0,030	0,040	0,050	0,060	0,070	0,075	0,085	0,10	100 (90 – 115)
S13	E	1,8	0,026	0,036	0,044	0,055	0,060	0,065	0,075	0,085	80 (70 – 90)

Cutting data – JHP770 Side milling roughing $a_e/D_c = 0,4$

SMG		a_p / D_c	f_z			v_c
			16	20	25	
S11	E	1,8	0,075	0,085	0,10	120 (105 – 135)
S12	E	1,8	0,075	0,085	0,10	95 (80 – 105)
S13	E	1,8	0,065	0,075	0,085	75 (65 – 85)

SMG = Seco material group

Coolant = A=air D=dry E=emulsion M=mist spray

v_c = m/min

f_z = mm

a_p (mm)/ D_c (mm)= factor

a_e (mm)/ D_c (mm)= factor

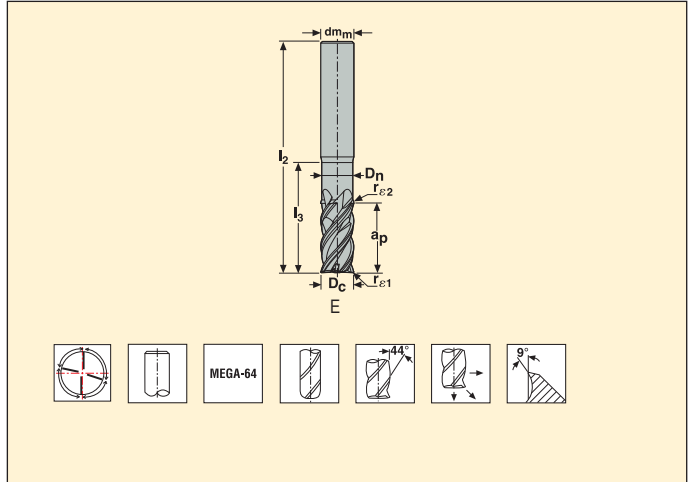
All cutting data are target values

JHP780 - Solid carbide end mill - cylindrical - corner radius - polished coating - four flute



Tolerances:

$dm_m = h5$
 $D_c = e7$
 $r_{e1} = \pm 0,02 \text{ mm}$



Part No.	Length index	Tool shape	Dimensions in mm									Cylindrical
			D_c	dm_m	a_p	l_2	l_3	D_n	r_{e1}	r_{e2}	Z_n	
JHP780060E2R030.0Z4-M64	2	E	6	6	12	60	18	5,6	0,3	2	4	■
JHP780080E2R040.0Z4-M64	2	E	8	8	16	65	24	7,4	0,4	2	4	■
JHP780100E2R040.0Z4-M64	2	E	10	10	20	75	30	9,4	0,4	2	4	■
JHP780100E2R080.0Z4-M64	2	E	10	10	20	75	30	9,4	0,8	2	4	■
JHP780120E2R040.0Z4-M64	2	E	12	12	24	90	36	11,4	0,4	2	4	■
JHP780120E2R080.0Z4-M64	2	E	12	12	24	90	36	11,4	0,8	2	4	■
JHP780120E2R150.0Z4-M64	2	E	12	12	24	90	36	11,4	1,5	2	4	■
JHP780120E2R250.0Z4-M64	2	E	12	12	24	90	36	11,4	2,5	2	4	■
JHP780140E2R040.0Z4-M64	2	E	14	14	28	95	42	13,4	0,4	2	4	■
JHP780160E2R040.0Z4-M64	2	E	16	16	32	100	45	15,4	0,4	2	4	■
JHP780160E2R080.0Z4-M64	2	E	16	16	32	100	45	15,4	0,8	2	4	■
JHP780160E2R310.0Z4-M64	2	E	16	16	32	100	45	15,4	3,1	2	4	■
JHP780160E2R400.0Z4-M64	2	E	16	16	32	100	45	15,4	4	2	4	■
JHP780200E2R040.0Z4-M64	2	E	20	20	40	115	55	19,4	0,4	2	4	■
JHP780200E2R080.0Z4-M64	2	E	20	20	40	115	55	19,4	0,8	2	4	■
JHP780200E2R310.0Z4-M64	2	E	20	20	40	115	55	19,4	3,1	2	4	■
JHP780200E2R400.0Z4-M64	2	E	20	20	40	115	55	19,4	4	2	4	■
JHP780250E2R040.0Z4-M64	2	E	25	25	50	130	65	24,4	0,4	2	4	■
JHP780250E2R080.0Z4-M64	2	E	25	25	50	130	65	24,4	0,8	2	4	■
JHP780250E2R310.0Z4-M64	2	E	25	25	50	130	65	24,4	3,1	2	4	■
JHP780250E2R400.0Z4-M64	2	E	25	25	50	130	65	24,4	4	2	4	■

■ Stock standard. Subject to change refer to current price-and stock-list.

JHP780 - Solid carbide end mill - Weldon - corner radius - polished coating - four flute

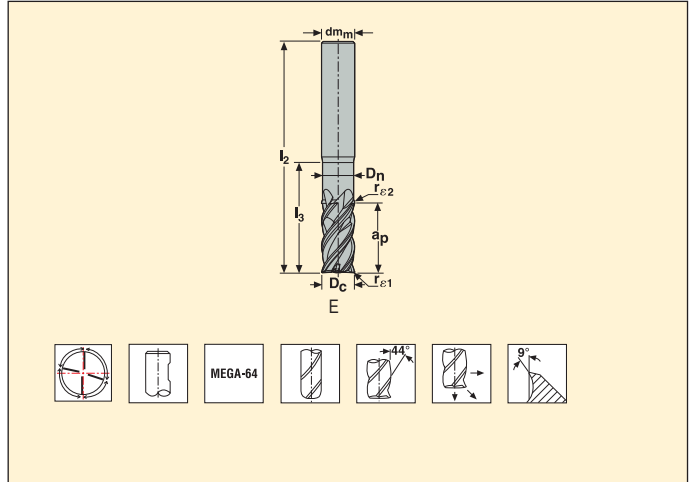


Tolerances:

$dm_m = h5$

$D_c = e7$

$r_{e1} = +/ - 0,02 \text{ mm}$



Part No.	Length index	Tool shape	Dimensions in mm						r_{e1}	r_{e2}	Z_n	Weldon
			D_c	dm_m	a_p	l_2	l_3	D_n				
JHP780060E2R030.3Z4-M64	2	E	6	6	12	60	18	5,6	0,3	2	4	■
JHP780080E2R040.3Z4-M64	2	E	8	8	16	65	24	7,4	0,4	2	4	■
JHP780100E2R040.3Z4-M64	2	E	10	10	20	75	30	9,4	0,4	2	4	■
JHP780100E2R080.3Z4-M64	2	E	10	10	20	75	30	9,4	0,8	2	4	■
JHP780120E2R040.3Z4-M64	2	E	12	12	24	90	36	11,4	0,4	2	4	■
JHP780120E2R080.3Z4-M64	2	E	12	12	24	90	36	11,4	0,8	2	4	■
JHP780120E2R150.3Z4-M64	2	E	12	12	24	90	36	11,4	1,5	2	4	■
JHP780120E2R250.3Z4-M64	2	E	12	12	24	90	36	11,4	2,5	2	4	■
JHP780140E2R040.3Z4-M64	2	E	14	14	28	95	42	13,4	0,4	2	4	■
JHP780160E2R040.3Z4-M64	2	E	16	16	32	100	45	15,4	0,4	2	4	■
JHP780160E2R080.3Z4-M64	2	E	16	16	32	100	45	15,4	0,8	2	4	■
JHP780160E2R310.3Z4-M64	2	E	16	16	32	100	45	15,4	3,1	2	4	■
JHP780160E2R400.3Z4-M64	2	E	16	16	32	100	45	15,4	4	2	4	■
JHP780200E2R040.3Z4-M64	2	E	20	20	40	115	55	19,4	0,4	2	4	■
JHP780200E2R080.3Z4-M64	2	E	20	20	40	115	55	19,4	0,8	2	4	■
JHP780200E2R310.3Z4-M64	2	E	20	20	40	115	55	19,4	3,1	2	4	■
JHP780200E2R400.3Z4-M64	2	E	20	20	40	115	55	19,4	4	2	4	■
JHP780250E2R040.3Z4-M64	2	E	25	25	50	130	65	24,4	0,4	2	4	■
JHP780250E2R080.3Z4-M64	2	E	25	25	50	130	65	24,4	0,8	2	4	■
JHP780250E2R310.3Z4-M64	2	E	25	25	50	130	65	24,4	3,1	2	4	■
JHP780250E2R400.3Z4-M64	2	E	25	25	50	130	65	24,4	4	2	4	■

■ Stock standard. Subject to change refer to current price-and stock-list.

Remark: if corner radius is >15% of D_2 then $a_p = -30%$, $f_z = -20%$

Cutting data – JHP780 Slotting

SMG		a_p / D_c	f_z								v_c
			6	8	10	12	14	16	20	25	
S1	E	0,80	0,018	0,024	0,030	0,036	0,040	0,044	0,050	0,055	38 (35 – 42)
S2	E	0,80	0,018	0,024	0,030	0,036	0,040	0,044	0,050	0,055	31 (28 – 34)
S3	E	0,60	0,018	0,024	0,030	0,036	0,040	0,044	0,050	0,055	25 (28 – 22)

Cutting data – JHP780 Side milling $a_e/D_c = 0,3$

SMG		a_p / D_c	f_z								v_c
			6	8	10	12	14	16	20	25	
S1	E	1,0	0,020	0,026	0,032	0,038	0,044	0,048	0,055	0,065	50 (46 – 55)
S2	E	1,0	0,020	0,026	0,032	0,038	0,044	0,048	0,055	0,065	41 (37 – 45)
S3	E	0,80	0,020	0,026	0,032	0,038	0,044	0,048	0,055	0,065	32 (36 – 28)

SMG = Seco material group

Coolant = A=air D=dry E=emulsion M=mist spray

v_c = m/min

f_z = mm

a_p (mm)/ D_c (mm)= factor

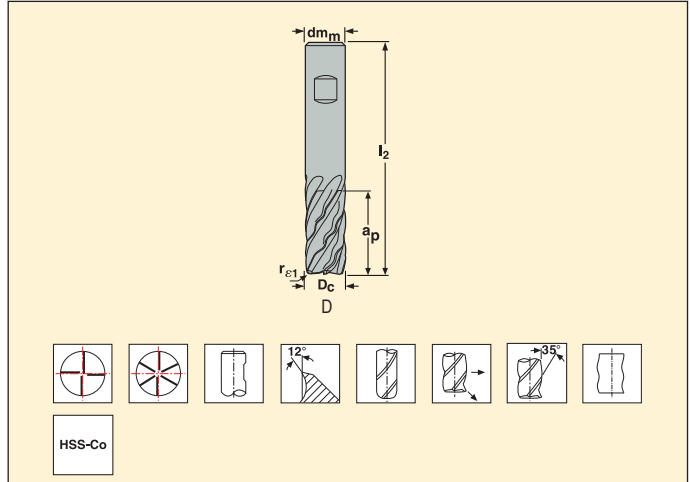
a_e (mm)/ D_c (mm)= factor

All cutting data are target values

JCO710 – HSS-Co end mill – polished variable flute profile



Tolerances:
 $dm_m = h6$
 $D_c = k10$
 $r_{e1} = \pm 0,05 \text{ mm}$



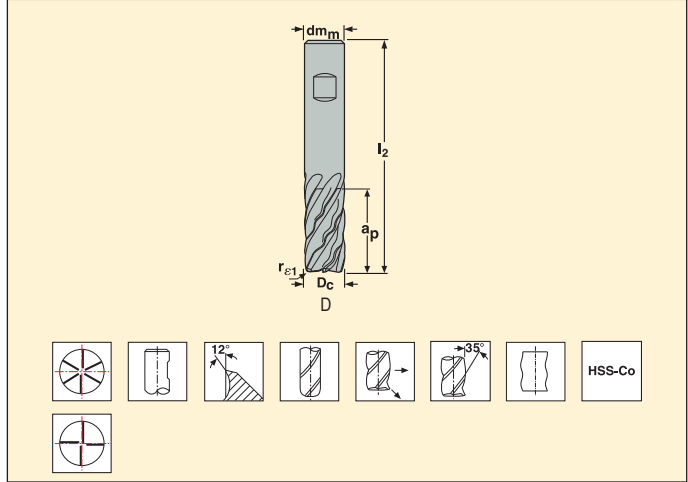
Part No.	Length index	Tool shape	Dimensions in mm				r_{e1}	Z_n	Weldon
			D_c	dm_m	a_p	l_2			
JCO710160D2R100.3Z4	2	D	16	16	32	92	1	4	■
JCO710160D2R250.3Z4	2	D	16	16	32	92	2,5	4	■
JCO710160D2R310.3Z4	2	D	16	16	32	92	3,1	4	■
JCO710160D2R400.3Z4	2	D	16	16	32	92	4	4	■
JCO710200D2R100.3Z4	2	D	20	20	38	114	1	4	■
JCO710200D2R250.3Z4	2	D	20	20	38	114	2,5	4	■
JCO710200D2R310.3Z4	2	D	20	20	38	114	3,1	4	■
JCO710200D2R400.3Z4	2	D	20	20	38	114	4	4	■
JCO710250D2R100.3Z4	2	D	25	25	45	121	1	4	■
JCO710250D2R250.3Z4	2	D	25	25	45	121	2,5	4	■
JCO710250D2R400.3Z4	2	D	25	25	45	121	4	4	■
JCO710320D2R100.3Z4	2	D	32	32	53	132	1	4	■
JCO710320D2R400.3Z4	2	D	32	32	53	132	4	4	■
JCO710250D2R100.3Z6	2	D	25	25	45	121	1	6	■
JCO710250D2R250.3Z6	2	D	25	25	45	121	2,5	6	■
JCO710250D2R400.3Z6	2	D	25	25	45	121	4	6	■
JCO710320D2R100.3Z6	2	D	32	32	53	132	1	6	■
JCO710320D2R400.3Z6	2	D	32	32	53	132	4	6	■
JCO710400D2R100.3Z6	2	D	40	40	63	155	1	6	■
JCO710400D2R400.3Z6	2	D	40	40	63	155	4	6	■
JCO710500D2R100.3Z6	2	D	50	50	75	177	1	6	■
JCO710500D2R400.3Z6	2	D	50	50	75	177	4	6	■

■ Stock standard. Subject to change refer to current price-and stock-list.

JCO710 - HSS-Co end mill - polished variable flute profile



Tolerances:
 $dm_m = h6$
 $D_c = k10$
 $r_{e1} = \pm 0,05 \text{ mm}$



Part No.	Length index	Tool shape	Dimensions in mm				r_{e1}	Z_n	Weldon
			D_c	dm_m	a_p	l_2			
JCO710160D4R100.3Z4	4	D	16	16	65	127	1	4	■
JCO710160D4R250.3Z4	4	D	16	16	65	127	2,5	4	■
JCO710160D4R400.3Z4	4	D	16	16	65	127	4	4	■
JCO710200D4R100.3Z6	4	D	20	20	80	146	1	6	■
JCO710200D4R250.3Z6	4	D	20	20	80	146	2,5	6	■
JCO710200D4R400.3Z6	4	D	20	20	80	146	4	6	■
JCO710250D4R100.3Z6	4	D	25	25	110	178	1	6	■
JCO710250D4R250.3Z6	4	D	25	25	110	178	2,5	6	■
JCO710250D4R400.3Z6	4	D	25	25	110	178	4	6	■
JCO710320D4R100.3Z6	4	D	32	32	130	200	1	6	■
JCO710320D4R400.3Z6	4	D	32	32	130	200	4	6	■
JCO710400D4R100.3Z6	4	D	40	40	160	240	1	6	■
JCO710400D4R400.3Z6	4	D	40	40	160	240	4	6	■
JCO710500D4R100.3Z6	4	D	50	50	200	298	1	6	■
JCO710500D4R400.3Z6	4	D	50	50	200	298	4	6	■

■ Stock standard. Subject to change refer to current price-and stock-list.

Cutting data - JC710 Slotting (for $z_n=4$ only)

SMG		a_p / D_c	f_z						v_c
			16	20	25	32	40	50	
M1	E	1,0	0,065	0,080	0,10	0,13	0,16	0,19	18 (12 — 24)
M2	E	1,0	0,065	0,080	0,10	0,12	0,15	0,17	14 (10 — 19)
M3	E	0,50	0,048	0,060	0,075	0,090	0,11	0,12	12 (8 — 16)
M4	E	0,50	0,048	0,060	0,075	0,090	0,11	0,12	9 (6 — 12)
M5	E	0,50	0,048	0,060	0,075	0,090	0,11	0,12	7 (5 — 10)
S11	E	0,75	0,048	0,060	0,075	0,095	0,11	0,13	10 (8 — 15)
S12	E	0,75	0,048	0,060	0,075	0,095	0,11	0,13	8 (6 — 12)
S13	E	0,65	0,042	0,050	0,065	0,080	0,095	0,11	6 (5 — 10)

Cutting data - JC710 Side milling $a_p/D_c = 0,5$ for length index 2

SMG		a_p / D_c	f_z						v_c
			16	20	25	32	40	50	
M1	E	1,0	0,065	0,080	0,10	0,13	0,16	0,19	21 (14 — 28)
M2	E	1,0	0,065	0,080	0,10	0,12	0,15	0,17	17 (11 — 23)
S11	E	0,75	0,048	0,060	0,075	0,095	0,11	0,13	12 (9 — 18)
S12	E	0,75	0,048	0,060	0,075	0,095	0,11	0,13	9 (7 — 14)
S13	E	0,65	0,042	0,050	0,065	0,080	0,095	0,11	8 (6 — 11)

SMG = Seco material group

Coolant = A=air D=dry E=emulsion M=mist spray

v_c = m/min

f_z = mm

a_p (mm)/ D_c (mm)= factor

a_e (mm)/ D_c (mm)= factor

*For length index

All cutting data are target values

JH720 – Solid carbide end mill – ball nose

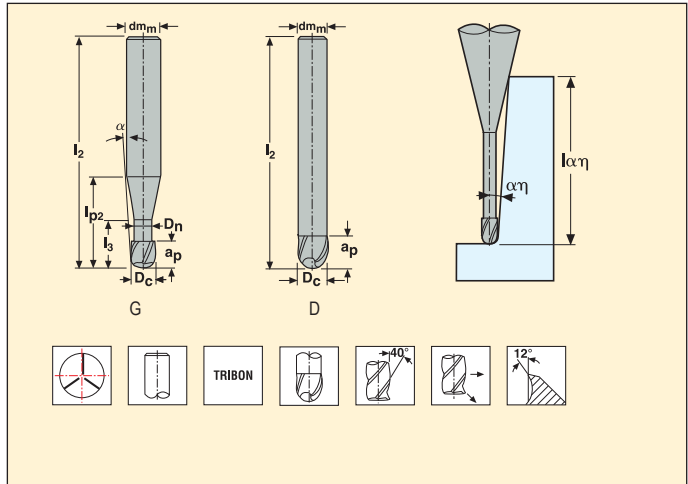


Tolerances:

$dm_m = h5$

$D_c = -0,02/-0,04$ mm

Radius = $\pm 0,01$ mm



Part No.	Length index	Tool shape	Dimensions in mm									α°	z_n	Max. cut depth rel. to α_η (α_η, ref)*					
			D_c	dm_m	a_p	l_2	l_3	l_{p2}	D_n	0°	0.5°			1°	1.5°	2°	3°		
720020-TRIBON	2	G	2	6	3	60	6	18,1	1,9	7	3	6,5	7	7,4	7,7	8,2	9,2		
720025-TRIBON	2	G	2,5	6	4	60	6	16,7	2,4	6,5	3	6,5	7	7,3	7,7	8,1	9,1		
720030-TRIBON	2	G	3	6	4,5	60	6,5	19,1	2,8	5	3	7	8,2	8,7	9,3	10	11,9		
720035-TRIBON	2	G	3,5	6	5	65	7	23,5	3,2	3,5	3	7,5	10	11	12,4	14,1	20,4		
720040-TRIBON	2	G	4	6	6	65	8	21,6	3,7	3	3	8,5	11,1	12,2	13,7	15,6	∞		
720050-TRIBON	2	G	5	6	7,5	65	10	18,5	4,6	2	3	10,5	13,9	15,3	17,1	∞	∞		
720060-TRIBON	2	D	6	6	9	75	-	-	-	-	3	9	∞	∞	∞	∞	∞		
720080-TRIBON	2	D	8	8	12	75	-	-	-	-	3	12	∞	∞	∞	∞	∞		
720100-TRIBON	2	D	10	10	15	80	-	-	-	-	3	15	∞	∞	∞	∞	∞		
720120-TRIBON	2	D	12	12	18	90	-	-	-	-	3	18	∞	∞	∞	∞	∞		
720160-TRIBON	2	D	16	16	24	100	-	-	-	-	3	24	∞	∞	∞	∞	∞		

* The effective under -neck length for the various draft angles. Remark ∞ = infinity, no collision in projection length area.

Cutting data – JH720 Side rough milling $a_e/D_c = 0,02$

SMG		a_p / D_c	f_z										v_c	
			2	2.5	3	3.5	4	5	6	8	10	12		16
M1	M/E/A	0,040	0,080	0,11	0,13	0,15	0,17	0,20	0,24	0,32	0,40	0,48	0,60	190 (135 – 245)
M2	M/E/A	0,040	0,080	0,11	0,13	0,15	0,17	0,20	0,24	0,32	0,40	0,48	0,60	155 (110 – 195)
M3	M/E/A	0,040	0,055	0,065	0,080	0,095	0,11	0,14	0,16	0,22	0,28	0,32	0,40	115 (85 – 150)
M4	M/E/A	0,040	0,048	0,060	0,070	0,080	0,095	0,12	0,14	0,19	0,24	0,28	0,34	85 (60 – 110)
M5	M/E/A	0,040	0,048	0,060	0,070	0,080	0,095	0,12	0,14	0,19	0,24	0,28	0,34	75 (50 – 95)
N1	E/M/A	0,060	0,055	0,065	0,080	0,095	0,11	0,14	0,16	0,22	0,28	0,32	0,40	2300 (1850 – 2775)
N2	E/M/A	0,060	0,080	0,11	0,13	0,15	0,17	0,20	0,24	0,32	0,40	0,48	0,60	1450 (1175 – 1750)
N3	E/M/A	0,060	0,080	0,11	0,13	0,15	0,17	0,20	0,24	0,32	0,40	0,48	0,60	970 (780 – 1175)
N11	E/M/A	0,060	0,12	0,15	0,18	0,20	0,24	0,28	0,36	0,48	0,60	0,70	0,80	750 (630 – 880)
S1	E/M/A	0,030	0,055	0,065	0,080	0,095	0,11	0,14	0,16	0,22	0,28	0,32	0,40	90 (75 – 110)
S2	E/M/A	0,030	0,055	0,065	0,080	0,095	0,11	0,14	0,16	0,22	0,28	0,32	0,40	90 (75 – 110)
S3	E/M/A	0,030	0,055	0,065	0,080	0,095	0,11	0,14	0,16	0,22	0,28	0,32	0,40	55 (36 – 70)
S11	E/M/A	0,040	0,055	0,065	0,080	0,095	0,11	0,14	0,16	0,22	0,28	0,32	0,40	225 (190 – 255)
S12	E/M/A	0,040	0,055	0,065	0,080	0,095	0,11	0,14	0,16	0,22	0,28	0,32	0,40	175 (150 – 195)
S13	E/M/A	0,040	0,048	0,060	0,070	0,080	0,095	0,12	0,14	0,19	0,24	0,28	0,34	135 (115 – 155)
TS1	A	0,060	0,055	0,065	0,080	0,095	0,11	0,14	0,16	0,22	0,28	0,32	0,40	1250 (940 – 1550)
TP1	M	0,060	0,055	0,065	0,080	0,095	0,11	0,14	0,16	0,22	0,28	0,32	0,40	1250 (940 – 1550)

Cutting data – JH720 Copy rough milling $a_e/D_c = 0,01$

SMG		a_p / D_c	f_z										v_c	
			2	2.5	3	3.5	4	5	6	8	10	12		16
M1	M/E/A	0,040	0,050	0,065	0,075	0,090	0,10	0,13	0,15	0,20	0,24	0,30	0,36	175 (125 – 225)
M2	M/E/A	0,040	0,050	0,065	0,075	0,090	0,10	0,13	0,15	0,20	0,24	0,30	0,36	140 (100 – 180)
M3	M/E/A	0,040	0,036	0,044	0,055	0,060	0,070	0,085	0,11	0,14	0,18	0,20	0,26	105 (75 – 135)
M4	M/E/A	0,040	0,032	0,040	0,046	0,055	0,060	0,075	0,090	0,13	0,16	0,19	0,24	80 (55 – 105)
M5	M/E/A	0,040	0,032	0,040	0,046	0,055	0,060	0,075	0,090	0,13	0,16	0,19	0,24	65 (48 – 85)
N1	E/M/A	0,060	0,036	0,044	0,055	0,060	0,070	0,085	0,11	0,14	0,18	0,20	0,26	2100 (1700 – 2525)
N2	E/M/A	0,060	0,050	0,065	0,075	0,090	0,10	0,13	0,15	0,20	0,24	0,30	0,36	1350 (1075 – 1625)
N3	E/M/A	0,060	0,050	0,065	0,075	0,090	0,10	0,13	0,15	0,20	0,24	0,30	0,36	900 (720 – 1075)
N11	E/M/A	0,060	0,065	0,085	0,10	0,12	0,14	0,17	0,20	0,28	0,34	0,40	0,48	700 (580 – 820)
S1	E/M/A	0,030	0,036	0,044	0,055	0,060	0,070	0,085	0,11	0,14	0,18	0,20	0,26	85 (65 – 100)
S2	E/M/A	0,030	0,036	0,044	0,055	0,060	0,070	0,085	0,11	0,14	0,18	0,20	0,26	85 (65 – 100)
S3	E/M/A	0,030	0,036	0,044	0,055	0,060	0,070	0,085	0,11	0,14	0,18	0,20	0,26	49 (32 – 65)
S11	E/M/A	0,040	0,036	0,044	0,055	0,060	0,070	0,085	0,11	0,14	0,18	0,20	0,26	205 (175 – 235)
S12	E/M/A	0,040	0,036	0,044	0,055	0,060	0,070	0,085	0,11	0,14	0,18	0,20	0,26	160 (135 – 180)
S13	E/M/A	0,040	0,032	0,040	0,046	0,055	0,060	0,075	0,090	0,13	0,16	0,19	0,24	120 (105 – 140)
TS1	A	0,060	0,036	0,044	0,055	0,060	0,070	0,085	0,11	0,14	0,18	0,20	0,26	1150 (860 – 1425)
TP1	M	0,060	0,036	0,044	0,055	0,060	0,070	0,085	0,11	0,14	0,18	0,20	0,26	1150 (860 – 1425)

SMG = Seco material group

Coolant = A=air D=dry E=emulsion M=mist spray

v_c = m/min

f_z = mm

a_p (mm)/ D_c (mm)= factor

a_e (mm)/ D_c (mm)= factor

All cutting data are target values



Name		JS412	JS413	JS452	JS453	JHP490
Page		182-184	185-187	188-190	191-195	196-199
Family		JS ²	JS ²	JS ²	JS ²	HPM
Type of mill						
Shank	Cylindrical	■	■	■	■	■
	Weldon	■	■	□	□	■
Number of flutes		2	3	2	3	2-3
ICC						■
Diameter range	Metric	2-20	2-20	2-20	3-20	10-25
	Inch					
Lengths available, based on length index						
		2	2,3	2	2,3	2,3,4
Operation						
SMG						
N1		●	●	●	●	●
N2		●	●	●	●	●
N3		●	●	●	●	●
N11						●
TS1		●	●	●	●	
TP1		●	●	●	●	

■ Stock standard □ Weldon available, delivery time is 3 days

● Preferred choice, ○ Alternative choice

Name		JH40	JH410	JH421	JH820	JH830
Page		200-201	202-203	204-207	208-209	210-211
Family		HSM/TORNADO	HSM/TORNADO	HSM/TORNADO	HSM/TORNADO	HSM/TORNADO
Type of mill						
Shank	Cylindrical	■	■	■	■	■
	Weldon					
Number of flutes		2	1	2-3	2	3
ICC				■		
Diameter range	Metric	6-20	2-17	3-25	4-12	2-12
	Inch					
Lengths available, based on length index		 1,2	 2,3,4	 2,3	 2	 2
Operation						
SMG						
N1		•	•	•		
N2		•			•	•
N3		•			•	•
N11		•	•	•		
TS1		•	•	•		
TP1		•	•	•		

■ Stock standard □ Weldon available, delivery time is 3 days

• Preferred choice, ○ Alternative choice

Name		JH440	JH450	JH460	JM403/406	JM413/416
Page		212-213	214-215	216-217	218-219	220-221
Family		HSM/TORNADO	HSM/TORNADO	HSM/TORNADO	MINI	MINI
Type of mill						
Shank	Cylindrical	<input checked="" type="checkbox"/>	<input checked="" type="checkbox"/>	<input checked="" type="checkbox"/>	<input checked="" type="checkbox"/>	<input checked="" type="checkbox"/>
	Weldon					
Number of flutes		2	2	2	1	2
ICC						
Diameter range	Metric	6-16	2-20	4-12	0,2-2	0,5-2
	Inch					
Lengths available, based on length index						
		2	2,3	2	1,2,5	2,3,5
Operation						
SMG						
N1		●	●	●	●	●
N2		●	●		●	●
N3		●	●		●	●
N11		●	●	●	●	●
TS1		●	●	●	●	●
TP1		●	●	●	●	●

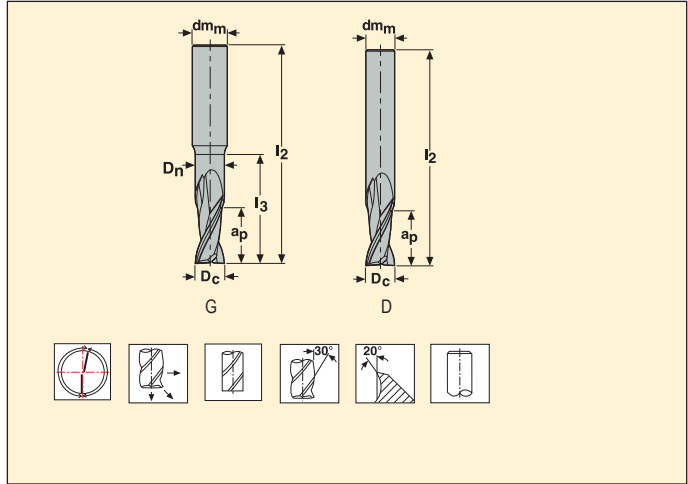
■ Stock standard □ Weldon available, delivery time is 3 days

● Preferred choice, ○ Alternative choice

JS412 – Solid carbide end mill – cylindrical – sharp, unequal flute spacing – two flute



Tolerances:
 $dm_m = h5$
 $D_c = e8$



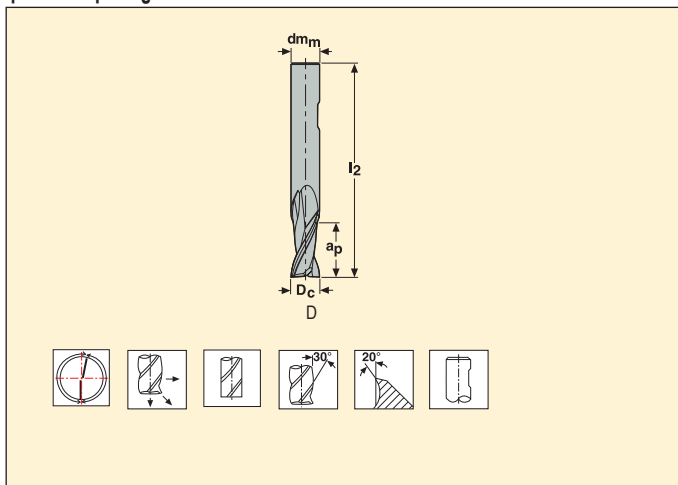
Part No.	Length index	Tool shape	Dimensions in mm						z_n	Cylindrical	
			D_c	dm_m	a_p	l_2	l_3	D_n			
JS412020G2SZ2.0	2	G	2	6	4	57	7	1,9	2	■	
JS412030G2SZ2.0	2	G	3	6	6	57	10	2,8	2	■	
JS412040G2SZ2.0	2	G	4	6	8	57	14	3,8	2	■	
JS412050G2SZ2.0	2	G	5	6	10	57	17	4,7	2	■	
JS412060D2SZ2.0	2	D	6	6	12	57	–	–	2	■	
JS412080D2SZ2.0	2	D	8	8	16	63	–	–	2	■	
JS412100D2SZ2.0	2	D	10	10	20	75	–	–	2	■	
JS412120D2SZ2.0	2	D	12	12	24	88	–	–	2	■	
JS412160D2SZ2.0	2	D	16	16	32	100	–	–	2	■	
JS412200D2SZ2.0	2	D	20	20	40	124	–	–	2	■	

■ Stock standard. Subject to change refer to current price-and stock-list.

JS412 – Solid carbide end mill – sharp, Weldon flat, unequal flute spacing – two flute



Tolerances:
 $dm_m = h5$
 $D_c = e8$



Part No.	Length index	Tool shape	Dimensions in mm				z _n	Weldon
			D _c	dm _m	a _p	l ₂		
JS412060D2SZ2.3	2	D	6	6	12	57	2	■
JS412080D2SZ2.3	2	D	8	8	16	63	2	■
JS412100D2SZ2.3	2	D	10	10	20	75	2	■
JS412120D2SZ2.3	2	D	12	12	24	88	2	■
JS412160D2SZ2.3	2	D	16	16	32	100	2	■
JS412200D2SZ2.3	2	D	20	20	40	124	2	■

■ Stock standard. Subject to change refer to current price-and stock-list.

Cutting data – JS412 Slotting

SMG		a_p / D_c	f_z											v_c
			2	3	4	5	6	8	10	12	14	16	20	
N1	E	1,0	0,020	0,030	0,040	0,050	0,060	0,080	0,10	0,12	0,13	0,15	0,17	590 (440 — 730)
N2	E	1,0	0,020	0,030	0,040	0,050	0,060	0,080	0,10	0,12	0,13	0,15	0,17	380 (285 — 470)
TS1	A	1,0	0,014	0,022	0,028	0,036	0,042	0,055	0,070	0,085	0,095	0,11	0,12	550 (440 — 660)
TP1	A	1,0	0,014	0,022	0,028	0,036	0,042	0,055	0,070	0,085	0,095	0,11	0,12	440 (330 — 550)

Cutting data – JS412 Side milling $a_p/D_c = 0,3$

SMG		a_p / D_c	f_z											v_c
			2	3	4	5	6	8	10	12	14	16	20	
N1	E/M/A	1,5	0,022	0,032	0,044	0,055	0,065	0,085	0,11	0,13	0,15	0,16	0,19	780 (580 — 970)
N2	E/M/A	1,5	0,022	0,032	0,044	0,055	0,065	0,085	0,11	0,13	0,15	0,16	0,19	500 (375 — 620)
TS1	A/D	1,5	0,016	0,024	0,032	0,040	0,046	0,060	0,080	0,090	0,10	0,11	0,13	710 (570 — 860)
TP1	A/D	1,5	0,016	0,024	0,032	0,040	0,046	0,060	0,080	0,090	0,10	0,11	0,13	570 (430 — 710)

SMG = Seco material group

Coolant = A=air D=dry E=emulsion M=mist spray

v_c = m/min

f_z = mm

a_p (mm)/ D_c (mm)= factor

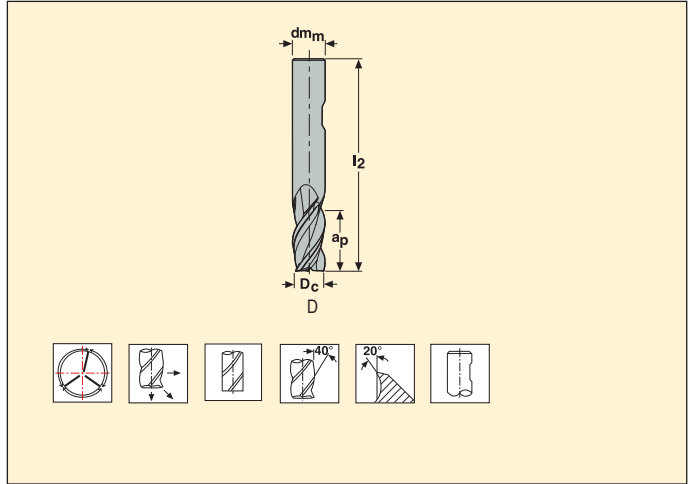
a_e (mm)/ D_c (mm)= factor

All cutting data are target values

JS413 – Solid carbide end mill – Weldon – sharp, unequal flute spacing – three flute



Tolerances:
 $dm_m=h5$
 $D_c=e8$



Part No.	Length index	Tool shape	Dimensions in mm				z _n	Weldon
			D _c	dm _m	a _p	l ₂		
JS413060D2SZ3.3	2	D	6	6	12	57	3	■
JS413080D2SZ3.3	2	D	8	8	16	63	3	■
JS413100D2SZ3.3	2	D	10	10	20	72	3	■
JS413120D2SZ3.3	2	D	12	12	24	88	3	■
JS413160D2SZ3.3	2	D	16	16	32	100	3	■
JS413200D2SZ3.3	2	D	20	20	40	124	3	■
JS413060D3SZ3.3	3	D	6	6	24	70	3	□
JS413080D3SZ3.3	3	D	8	8	32	85	3	□
JS413100D3SZ3.3	3	D	10	10	40	100	3	□
JS413120D3SZ3.3	3	D	12	12	50	115	3	□
JS413160D3SZ3.3	3	D	16	16	55	125	3	□
JS413200D3SZ3.3	3	D	20	20	75	150	3	□

■ Stock standard. Subject to change refer to current price-and stock-list. □ Weldon available, delivery time is 3 days.

Cutting data – JS413 Slotting

SMG		a_p / D_c	f_z											v_c
			2	3	4	5	6	8	10	12	14	16	20	
N1	E	1,0	0,020	0,030	0,040	0,050	0,060	0,080	0,10	0,12	0,13	0,15	0,17	570 (425 — 710)
N2	E	1,0	0,020	0,030	0,040	0,050	0,060	0,080	0,10	0,12	0,13	0,15	0,17	365 (275 — 455)
N3	E	1,0	0,020	0,030	0,040	0,050	0,060	0,080	0,10	0,12	0,13	0,15	0,17	245 (185 — 305)
TS1	A	1,0	0,014	0,022	0,028	0,036	0,042	0,055	0,070	0,085	0,095	0,11	0,12	550 (440 — 660)
TP1	A	1,0	0,014	0,022	0,028	0,036	0,042	0,055	0,070	0,085	0,095	0,11	0,12	440 (330 — 550)

Cutting data – JS413 Side milling $a_e/D_c = 0,4$

SMG		a_p / D_c	f_z											v_c
			2	3	4	5	6	8	10	12	14	16	20	
N1	E/M/A	1,5	0,020	0,030	0,040	0,050	0,060	0,080	0,10	0,12	0,14	0,15	0,17	720 (540 — 890)
N2	E/M/A	1,5	0,020	0,030	0,040	0,050	0,060	0,080	0,10	0,12	0,14	0,15	0,17	460 (345 — 570)
N3	E/M/A	1,5	0,020	0,030	0,040	0,050	0,060	0,080	0,10	0,12	0,14	0,15	0,17	305 (230 — 385)
TS1	A/D	1,5	0,015	0,022	0,030	0,036	0,044	0,060	0,075	0,085	0,095	0,11	0,12	680 (540 — 810)
TP1	A/D	1,5	0,015	0,022	0,030	0,036	0,044	0,060	0,075	0,085	0,095	0,11	0,12	540 (405 — 680)

SMG = Seco material group

Coolant = A=air D=dry E=emulsion M=mist spray

v_c = m/min

f_z = mm

a_p (mm)/ D_c (mm)= factor

a_e (mm)/ D_c (mm)= factor

All cutting data are target values

JS452 – Solid carbide end mill – cylindrical – polished coating, unequal flute spacing – two flute



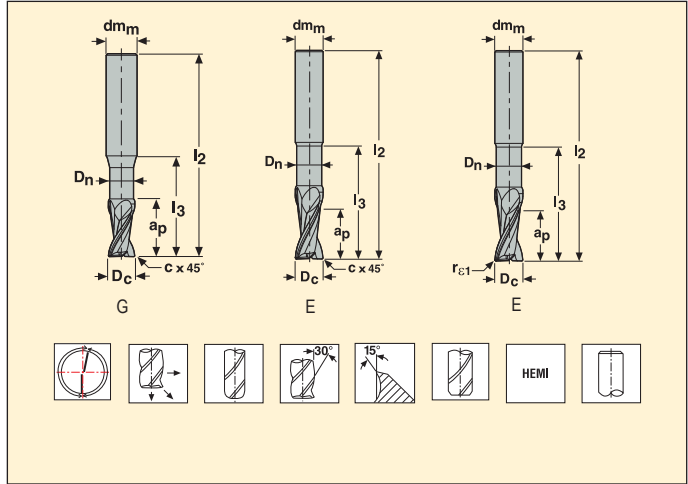
Tolerances:

$dm_m = h5$

$D_c = e7$

Corner radius $\pm 0,02$

Chamfer $+0,04$



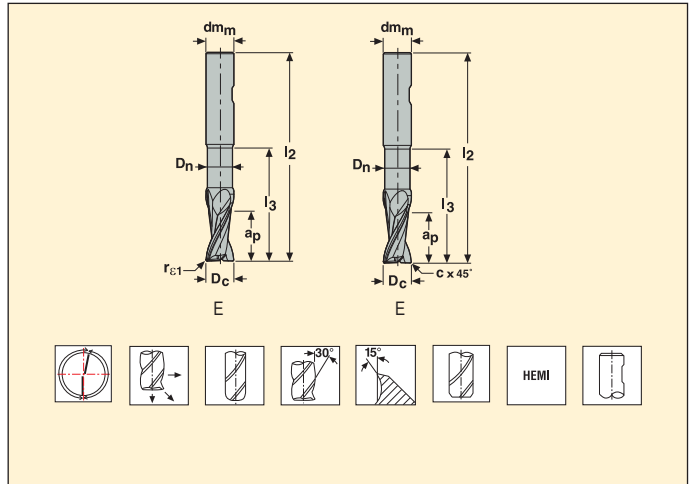
Part No.	Length index	Tool shape	Dimensions in mm							r_{c1}	$c \times 45^\circ$	z_n	Cylindrical
			D_c	dm_m	a_p	l_2	l_3	D_n					
JS452020G2CZ2.0-HEMI	2	G	2	6	4	57	8	1,9	–	0,1	2	■	
JS452030G2CZ2.0-HEMI	2	G	3	6	6	57	10	2,8	–	0,1	2	■	
JS452040G2CZ2.0-HEMI	2	G	4	6	8	57	14	3,8	–	0,1	2	■	
JS452050G2CZ2.0-HEMI	2	G	5	6	8	57	17	4,7	–	0,1	2	■	
JS452060E2CZ2.0-HEMI	2	E	6	6	12	57	19	5,7	–	0,1	2	■	
JS452080E2CZ2.0-HEMI	2	E	8	8	16	63	24	7,6	–	0,1	2	■	
JS452100E2CZ2.0-HEMI	2	E	10	10	20	72	29	9,5	–	0,1	2	■	
JS452120E2CZ2.0-HEMI	2	E	12	12	24	88	37	11,4	–	0,1	2	■	
JS452140E2CZ2.0-HEMI	2	E	14	14	28	88	41	13,3	–	0,1	2	■	
JS452160E2CZ2.0-HEMI	2	E	16	16	32	100	48	15,2	–	0,1	2	■	
JS452200E2CZ2.0-HEMI	2	E	20	20	36	110	57	19	–	0,1	2	■	
JS452060E2R050Z2.0-HEMI	2	E	6	6	12	57	19	5,7	0,5	–	2	■	
JS452060E2R100Z2.0-HEMI	2	E	6	6	12	57	19	5,7	1	–	2	■	
JS452080E2R050Z2.0-HEMI	2	E	8	8	16	63	24	7,6	0,5	–	2	■	
JS452080E2R100Z2.0-HEMI	2	E	8	8	16	63	24	7,6	1,0	–	2	■	
JS452100E2R050Z2.0-HEMI	2	E	10	10	20	72	29	9,5	0,5	–	2	■	
JS452100E2R100Z2.0-HEMI	2	E	10	10	20	72	29	9,5	1	–	2	■	
JS452120E2R050Z2.0-HEMI	2	E	12	12	24	88	37	11,4	0,5	–	2	■	
JS452120E2R100Z2.0-HEMI	2	E	12	12	24	88	37	11,4	1	–	2	■	
JS452120E2R200Z2.0-HEMI	2	E	12	12	24	88	37	11,4	2,0	–	2	■	
JS452160E2R050Z2.0-HEMI	2	E	16	16	32	100	48	15,2	0,5	–	2	■	
JS452160E2R100Z2.0-HEMI	2	E	16	16	32	100	48	15,2	1,0	–	2	■	
JS452160E2R200Z2.0-HEMI	2	E	16	16	32	100	48	15,2	2,0	–	2	■	
JS452160E2R250Z2.0-HEMI	2	E	16	16	32	100	48	15,2	2,5	–	2	■	
JS452160E2R400Z2.0-HEMI	2	E	16	16	32	100	48	15,2	4,0	–	2	■	
JS452200E2R050Z2.0-HEMI	2	E	20	20	36	110	57	19	0,5	–	2	■	
JS452200E2R100Z2.0-HEMI	2	E	20	20	36	110	57	19	1,0	–	2	■	
JS452200E2R200Z2.0-HEMI	2	E	20	20	36	110	57	19	2,0	–	2	■	
JS452200E2R250Z2.0-HEMI	2	E	20	20	36	110	57	19	2,5	–	2	■	
JS452200E2R400Z2.0-HEMI	2	E	20	20	36	110	57	19	4,0	–	2	■	

■ Stock standard. Subject to change refer to current price-and stock-list.

JS452 – Solid carbide end mill – Weldon – polished coating, unequal flute spacing – two flute



Tolerances:
 $dm_m = h5$
 $D_c = e7$
 Corner radius $\pm 0,02$
 Chamfer $+0,04$



Part No.	Length index	Tool shape	Dimensions in mm							$r_{\epsilon 1}$	$c \times 45^\circ$	z_n	Weldon
			D_c	dm_m	a_p	l_2	l_3	D_n					
JS452060E2CZ2.3-HEMI	2	E	6	6	12	57	19	5,7	–	0,1	2	<input type="checkbox"/>	
JS452080E2CZ2.3-HEMI	2	E	8	8	16	63	24	7,6	–	0,1	2	<input type="checkbox"/>	
JS452100E2CZ2.3-HEMI	2	E	10	10	20	72	29	9,5	–	0,1	2	<input type="checkbox"/>	
JS452120E2CZ2.3-HEMI	2	E	12	12	24	88	37	11,4	–	0,1	2	<input type="checkbox"/>	
JS452140E2CZ2.3-HEMI	2	E	14	14	28	88	41	13,3	–	0,1	2	<input type="checkbox"/>	
JS452160E2CZ2.3-HEMI	2	E	16	16	32	100	48	15,2	–	0,1	2	<input type="checkbox"/>	
JS452200E2CZ2.3-HEMI	2	E	20	20	36	110	57	19	–	0,1	2	<input type="checkbox"/>	
JS452060E2R050Z2.3-HEMI	2	E	6	6	12	57	19	5,7	0,5	–	2	<input type="checkbox"/>	
JS452060E2R100Z2.3-HEMI	2	E	6	6	12	57	19	5,7	1	–	2	<input type="checkbox"/>	
JS452080E2R050Z2.3-HEMI	2	E	8	8	16	63	24	7,6	0,5	–	2	<input type="checkbox"/>	
JS452100E2R050Z2.3-HEMI	2	E	10	10	20	72	29	9,5	0,5	–	2	<input type="checkbox"/>	
JS452100E2R100Z2.3-HEMI	2	E	10	10	20	72	29	9,5	1	–	2	<input type="checkbox"/>	
JS452120E2R050Z2.3-HEMI	2	E	12	12	24	88	37	11,4	0,5	–	2	<input type="checkbox"/>	
JS452120E2R100Z2.3-HEMI	2	E	12	12	24	88	37	11,4	1	–	2	<input type="checkbox"/>	
JS452120E2R200Z2.3-HEMI	2	E	12	12	24	88	37	11,4	2,0	–	2	<input type="checkbox"/>	
JS452160E2R050Z2.3-HEMI	2	E	16	16	32	100	48	15,2	0,5	–	2	<input type="checkbox"/>	
JS452160E2R100Z2.3-HEMI	2	E	16	16	32	100	48	15,2	1,0	–	2	<input type="checkbox"/>	
JS452160E2R200Z2.3-HEMI	2	E	16	16	32	100	48	15,2	2,0	–	2	<input type="checkbox"/>	
JS452160E2R250Z2.3-HEMI	2	E	16	16	32	100	48	15,2	2,5	–	2	<input type="checkbox"/>	
JS452160E2R400Z2.3-HEMI	2	E	16	16	32	100	48	15,2	4,0	–	2	<input type="checkbox"/>	
JS452200E2R050Z2.3-HEMI	2	E	20	20	36	110	57	19	0,5	–	2	<input type="checkbox"/>	
JS452200E2R100Z2.3-HEMI	2	E	20	20	36	110	57	19	1,0	–	2	<input type="checkbox"/>	
JS452200E2R200Z2.3-HEMI	2	E	20	20	36	110	57	19	2,0	–	2	<input type="checkbox"/>	
JS452200E2R250Z2.3-HEMI	2	E	20	20	36	110	57	19	2,5	–	2	<input type="checkbox"/>	
JS452200E2R400Z2.3-HEMI	2	E	20	20	36	110	57	19	4,0	–	2	<input type="checkbox"/>	

Weldon available, delivery time is 3 days.

Cutting data – JS452 Slotting

SMG		a_p / D_c	f_z											v_c
			2	3	4	5	6	8	10	12	14	16	20	
N1	E	1,5	0,020	0,030	0,040	0,050	0,060	0,080	0,10	0,12	0,13	0,15	0,17	590 (440 — 730)
N2	E	1,2	0,016	0,024	0,032	0,040	0,048	0,065	0,080	0,095	0,11	0,12	0,13	400 (300 — 500)
N3	E	1,2	0,016	0,024	0,032	0,040	0,048	0,065	0,080	0,095	0,11	0,12	0,13	265 (200 — 335)
TS1	A	1,5	0,014	0,022	0,028	0,036	0,042	0,055	0,070	0,085	0,095	0,10	0,12	550 (410 — 680)
TP1	A	1,5	0,014	0,022	0,028	0,036	0,042	0,055	0,070	0,085	0,095	0,10	0,12	435 (350 — 520)

Cutting data – JS452 Side milling $a_e/D_c = 0,4$

SMG		a_p / D_c	f_z											v_c
			2	3	4	5	6	8	10	12	14	16	20	
N1	E/M/A	1,5	0,020	0,030	0,040	0,050	0,060	0,080	0,10	0,12	0,14	0,15	0,17	760 (570 — 950)
N2	E/M/A	1,2	0,016	0,024	0,032	0,040	0,048	0,065	0,080	0,095	0,11	0,12	0,14	520 (390 — 650)
N3	E/M/A	1,2	0,016	0,024	0,032	0,040	0,048	0,065	0,080	0,095	0,11	0,12	0,14	345 (260 — 430)
TS1	A/D	1,5	0,015	0,022	0,030	0,036	0,044	0,060	0,075	0,085	0,095	0,11	0,12	690 (520 — 870)
TP1	A/D	1,5	0,015	0,022	0,030	0,036	0,044	0,060	0,075	0,085	0,095	0,11	0,12	560 (445 — 670)

SMG = Seco material group

Coolant = A=air D=dry E=emulsion M=mist spray

v_c = m/min

f_z = mm

a_p (mm)/ D_c (mm) = factor

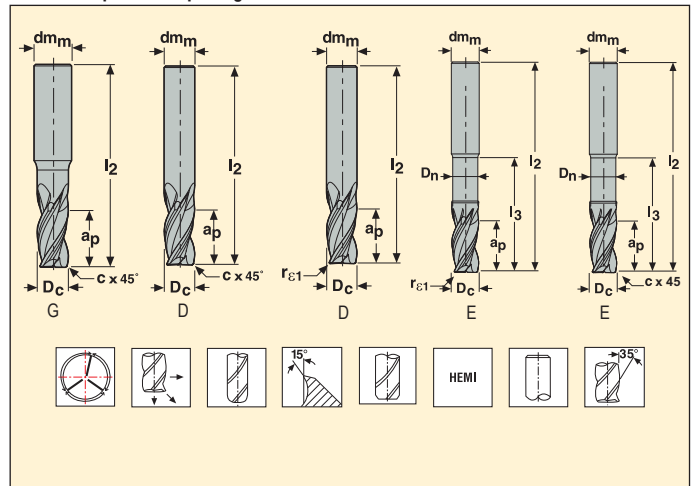
a_e (mm)/ D_c (mm) = factor

All cutting data are target values

JS453 – Solid carbide end mill polished coating – cylindrical – unequal flute spacing – three flute



Tolerances:
 $dm_m = h5$
 $D_c = e7$
 Corner radius $\pm 0,02$
 Chamfer $+0,04$



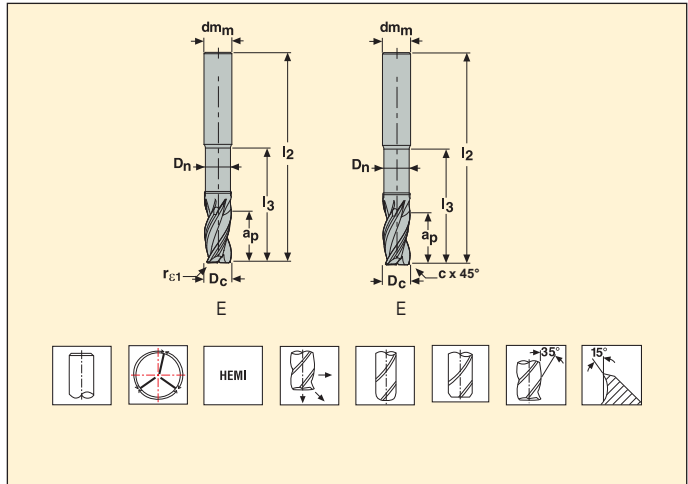
Part No.	Length index	Tool shape	Dimensions in mm								$r_{\epsilon 1}$	$c \times 45^\circ$	z_n	Cylindrical
			D_c	dm_m	a_p	l_2	l_3	D_n						
JS453020G2CZ3.0-HEMI	2	G	2	6	4	57	7	1,9	–	0,1	3	■		
JS453030G2CZ3.0-HEMI	2	G	3	6	6	57	10	2,85	–	0,1	3	■		
JS453040G2CZ3.0-HEMI	2	G	4	6	8	57	13	3,8	–	0,1	3	■		
JS453050G2CZ3.0-HEMI	2	G	5	6	10	57	14	4,75	–	0,1	3	■		
JS453060D2CZ3.0-HEMI	2	D	6	6	12	57	–	–	–	0,1	3	■		
JS453080D2CZ3.0-HEMI	2	D	8	8	16	63	–	–	–	0,1	3	■		
JS453100D2CZ3.0-HEMI	2	D	10	10	20	72	–	–	–	0,1	3	■		
JS453120D2CZ3.0-HEMI	2	D	12	12	24	88	–	–	–	0,1	3	■		
JS453140D2CZ3.0-HEMI	2	D	14	14	28	88	–	–	–	0,1	3	■		
JS453160D2CZ3.0-HEMI	2	D	16	16	32	100	–	–	–	0,1	3	■		
JS453200E2C.0Z3-HEMI	2	E	20	20	36	110	57	19	–	0,1	3	■		
JS453060D2R050Z3.0-HEMI	2	D	6	6	12	57	–	–	0,5	–	3	■		
JS453080D2R050Z3.0-HEMI	2	D	8	8	16	63	–	–	0,5	–	3	■		
JS453100D2R050Z3.0-HEMI	2	D	10	10	20	72	–	–	0,5	–	3	■		
JS453120D2R050Z3.0-HEMI	2	D	12	12	24	88	–	–	0,5	–	3	■		
JS453120E2R300.0Z3-HEMI	2	E	12	12	24	88	37	11,4	3,0	–	3	■		
JS453160D2R050Z3.0-HEMI	2	D	16	16	32	100	–	–	0,5	–	3	■		
JS453160E2R100.0Z3-HEMI	2	E	16	16	32	100	48	15,2	1,0	–	3	■		
JS453160E2R200.0Z3-HEMI	2	E	16	16	32	100	48	15,2	2,0	–	3	■		
JS453160E2R250.0Z3-HEMI	2	E	16	16	32	100	48	15,2	2,5	–	3	■		
JS453160E2R300.0Z3-HEMI	2	E	16	16	32	100	48	15,2	3,0	–	3	■		
JS453160E2R400.0Z3-HEMI	2	E	16	16	32	100	48	15,2	4,0	–	3	■		
JS453200E2R050.0Z3-HEMI	2	E	20	20	36	110	57	19	0,5	–	3	■		
JS453200E2R100.0Z3-HEMI	2	E	20	20	36	110	57	19	1,0	–	3	■		
JS453200E2R200.0Z3-HEMI	2	E	20	20	36	110	57	19	2,0	–	3	■		
JS453200E2R250.0Z3-HEMI	2	E	20	20	36	110	57	19	2,5	–	3	■		
JS453200E2R300.0Z3-HEMI	2	E	20	20	36	110	57	19	3,0	–	3	■		
JS453200E2R400.0Z3-HEMI	2	E	20	20	36	110	57	19	4,0	–	3	■		
JS453200E2R600.0Z3-HEMI	2	E	20	20	36	110	57	19	6,0	–	3	■		

■ Stock standard. Subject to change refer to current price-and stock-list.

Solid carbide end mill – cylindrical – unequal flute spacing – long version – three flute – weldon flat



Tolerances:
 $dm_m = h5$
 $D_c = e7$
 corner radius +/- 0,02 mm
 chamfer +0,04 mm



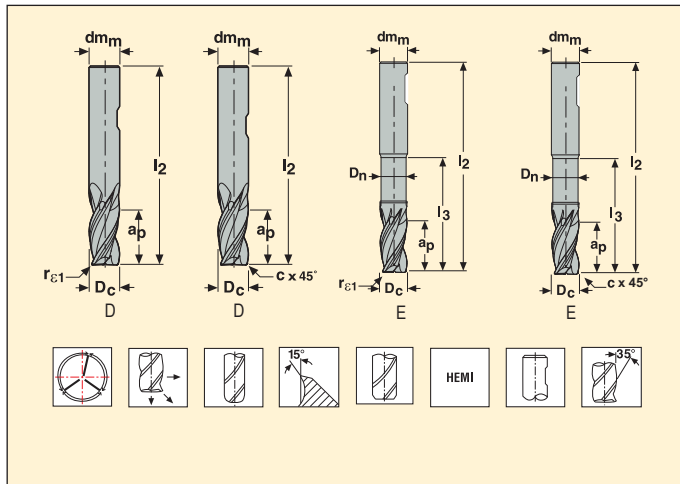
Part No.	Dimensions in mm									c x 45°	Cylindrical	z _n
	Length index	Tool shape	D _c	dm _m	l ₂	l ₃	a _p	D _n	r _{e1}			
JS453120E3R300.0Z3-HEMI	3	E	12	12	110	54	24	11,4	3,0	–	■	3
JS453160E3R100.0Z3-HEMI	3	E	16	16	125	77	32	15,2	1,0	–	■	3
JS453160E3R200.0Z3-HEMI	3	E	16	16	125	77	32	15,2	2,0	–	■	3
JS453160E3R250.0Z3-HEMI	3	E	16	16	125	77	32	15,2	2,5	–	■	3
JS453160E3R300.0Z3-HEMI	3	E	16	16	125	77	32	15,2	3,0	–	■	3
JS453160E3R400.0Z3-HEMI	3	E	16	16	125	77	32	15,2	4,0	–	■	3
JS453200E3C.0Z3-HEMI	3	E	20	20	150	90	36	19	–	0,1	■	3
JS453200E3R100.0Z3-HEMI	3	E	20	20	150	90	36	19	1,0	–	■	3
JS453200E3R200.0Z3-HEMI	3	E	20	20	150	90	36	19	2,0	–	■	3
JS453200E3R250.0Z3-HEMI	3	E	20	20	150	90	36	19	2,5	–	■	3
JS453200E3R300.0Z3-HEMI	3	E	20	20	150	90	36	19	3,0	–	■	3
JS453200E3R400.0Z3-HEMI	3	E	20	20	150	90	36	19	4,0	–	■	3
JS453200E3R600.0Z3-HEMI	3	E	20	20	150	90	36	19	6,0	–	■	3

■ Stock standard. Subject to change refer to current price and stock-list.

JS453 – Solid carbide end mill – unequal flute spacing – three flute



Tolerances:
 $dm_m = h5$
 $D_c = e7$
 corner radius = $\pm 0,02mm$



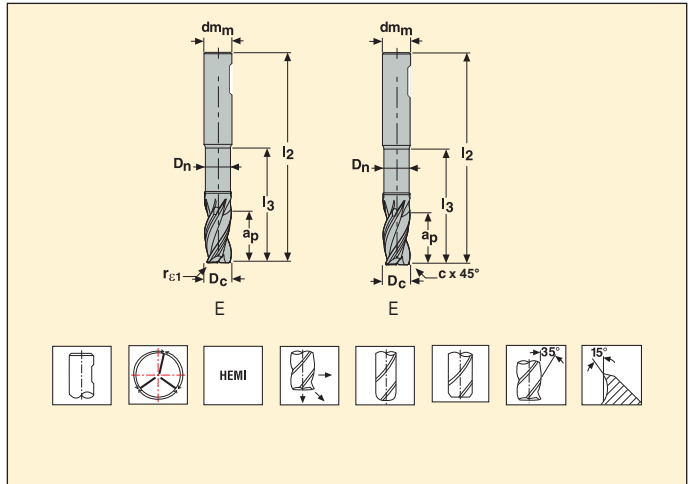
Part No.	Length index	Tool shape	Dimensions in mm								$r_{\epsilon 1}$	$c \times 45^\circ$	z_n	Weldon
			D_c	dm_m	a_p	l_2	l_3	D_n						
JS453060D2CZ3.3-HEMI	2	D	6	6	12	57	-	-	-	0,1	3	<input type="checkbox"/>		
JS453080D2CZ3.3-HEMI	2	D	8	8	16	63	-	-	-	0,1	3	<input type="checkbox"/>		
JS453100D2CZ3.3-HEMI	2	D	10	10	20	72	-	-	-	0,1	3	<input type="checkbox"/>		
JS453120D2CZ3.3-HEMI	2	D	12	12	24	88	-	-	-	0,1	3	<input type="checkbox"/>		
JS453140D2CZ3.3-HEMI	2	D	14	14	28	88	-	-	-	0,1	3	<input type="checkbox"/>		
JS453160D2CZ3.3-HEMI	2	D	16	16	32	100	-	-	-	0,1	3	<input type="checkbox"/>		
JS453200E2C.3Z3-HEMI	2	E	20	20	36	110	57	19	-	0,1	3	<input type="checkbox"/>		
JS453060D2R050Z3.3-HEMI	2	D	6	6	12	57	-	-	0,5	-	3	<input type="checkbox"/>		
JS453080D2R050Z3.3-HEMI	2	D	8	8	16	63	-	-	0,5	-	3	<input type="checkbox"/>		
JS453100D2R050Z3.3-HEMI	2	D	10	10	20	72	-	-	0,5	-	3	<input type="checkbox"/>		
JS453120D2R050Z3.3-HEMI	2	D	12	12	24	88	-	-	0,5	-	3	<input type="checkbox"/>		
JS453120E2R300.3Z3-HEMI	2	E	12	12	24	88	37	11,4	3,0	-	3	<input type="checkbox"/>		
JS453160D2R050Z3.3-HEMI	2	D	16	16	32	100	-	-	0,5	-	3	<input type="checkbox"/>		
JS453160E2R100.3Z3-HEMI	2	E	16	16	32	100	48	15,2	1,0	-	3	<input type="checkbox"/>		
JS453160E2R200.3Z3-HEMI	2	E	16	16	32	100	48	15,2	2,0	-	3	<input type="checkbox"/>		
JS453160E2R250.3Z3-HEMI	2	E	16	16	32	100	48	15,2	2,5	-	3	<input type="checkbox"/>		
JS453160E2R300.3Z3-HEMI	2	E	16	16	32	100	48	15,2	3,0	-	3	<input type="checkbox"/>		
JS453160E2R400.3Z3-HEMI	2	E	16	16	32	100	48	15,2	4,0	-	3	<input type="checkbox"/>		
JS453200E2R100.3Z3-HEMI	2	E	20	20	36	110	57	19	1,0	-	3	<input type="checkbox"/>		
JS453200E2R200.3Z3-HEMI	2	E	20	20	36	110	57	19	2,0	-	3	<input type="checkbox"/>		
JS453200E2R250.3Z3-HEMI	2	E	20	20	36	110	57	19	2,5	-	3	<input type="checkbox"/>		
JS453200E2R300.3Z3-HEMI	2	E	20	20	36	110	57	19	3,0	-	3	<input type="checkbox"/>		
JS453200E2R400.3Z3-HEMI	2	E	20	20	36	110	57	19	4,0	-	3	<input type="checkbox"/>		
JS453200E2R600.3Z3-HEMI	2	E	20	20	36	110	57	19	6,0	-	3	<input type="checkbox"/>		

Weldon available, delivery time is 3 days.

JS453 – Solid carbide end mill – polished coating – Weldon flat, unequal flute spacing – long version – three flute



Tolerances:
 $dm_m = h5$
 $D_c = e7$
 corner radius ± 0.02 mm
 chamfer $+0,04$ mm



Part No.	Length index	Tool shape	Dimensions in mm							$c \times 45^\circ$	Weldon	z_n
			D_c	dm_m	l_2	l_3	a_p	D_n	r_{e1}			
JS453120E3R300.3Z3-HEMI	3	E	12	12	110	54	24	11,4	3,0	-	<input type="checkbox"/>	3
JS453160E3R100.3Z3-HEMI	3	E	16	16	125	77	32	15,2	1,0	-	<input type="checkbox"/>	3
JS453160E3R200.3Z3-HEMI	3	E	16	16	125	77	32	15,2	2,0	-	<input type="checkbox"/>	3
JS453160E3R250.3Z3-HEMI	3	E	16	16	125	77	32	15,2	2,5	-	<input type="checkbox"/>	3
JS453160E3R300.3Z3-HEMI	3	E	16	16	125	77	32	15,2	3,0	-	<input type="checkbox"/>	3
JS453160E3R400.3Z3-HEMI	3	E	16	16	125	77	32	15,2	4,0	-	<input type="checkbox"/>	3
JS453200E3C.3Z3-HEMI	3	E	20	20	150	90	36	19	-	0,1	<input type="checkbox"/>	3
JS453200E3R100.3Z3-HEMI	3	E	20	20	150	90	36	19	1,0	-	<input type="checkbox"/>	3
JS453200E3R200.3Z3-HEMI	3	E	20	20	150	90	36	19	2,0	-	<input type="checkbox"/>	3
JS453200E3R250.3Z3-HEMI	3	E	20	20	150	90	36	19	2,5	-	<input type="checkbox"/>	3
JS453200E3R300.3Z3-HEMI	3	E	20	20	150	90	36	19	3,0	-	<input type="checkbox"/>	3
JS453200E3R400.3Z3-HEMI	3	E	20	20	150	90	36	19	4,0	-	<input type="checkbox"/>	3
JS453200E3R600.3Z3-HEMI	3	E	20	20	150	90	36	19	6,0	-	<input type="checkbox"/>	3

Weldon available, delivery time is 3 days.

Cutting data – JS453 Slotting

SMG		a_p / D_c	f_z											v_c
			2	3	4	5	6	8	10	12	14	16	20	
N1	E	1,5	0,020	0,030	0,040	0,050	0,060	0,080	0,10	0,12	0,13	0,15	0,17	590 (440 — 730)
N2	E	1,2	0,014	0,022	0,028	0,036	0,042	0,055	0,070	0,085	0,095	0,10	0,12	415 (310 — 520)
N3		1,2	0,014	0,022	0,028	0,036	0,042	0,055	0,070	0,085	0,095	0,10	0,12	275 (205 — 345)
TS1	A	1,5	0,014	0,022	0,028	0,036	0,042	0,055	0,070	0,085	0,095	0,10	0,12	570 (455 — 680)
TP1	A	1,5	0,014	0,022	0,028	0,036	0,042	0,055	0,070	0,085	0,095	0,10	0,12	455 (340 — 570)

Cutting data – JS453 Side milling $a_e/D_c = 0,4$

SMG		a_p / D_c	f_z											v_c
			2	3	4	5	6	8	10	12	14	16	20	
N1	E/M/A	1,5	0,020	0,030	0,040	0,050	0,060	0,080	0,10	0,12	0,14	0,15	0,17	710 (540 — 890)
N2	E/M/A	1,2	0,014	0,022	0,028	0,036	0,042	0,055	0,070	0,085	0,095	0,10	0,12	500 (375 — 630)
N3	E/M/A	1,2	0,014	0,022	0,028	0,036	0,042	0,055	0,070	0,085	0,095	0,10	0,12	335 (250 — 420)
TS1	A/D	1,5	0,015	0,022	0,030	0,036	0,044	0,060	0,075	0,085	0,095	0,11	0,12	680 (540 — 810)
TP1	A/D	1,5	0,015	0,022	0,030	0,036	0,044	0,060	0,075	0,085	0,095	0,11	0,12	540 (405 — 680)

SMG = Seco material group

Coolant = A=air D=dry E=emulsion M=mist spray

v_c = m/min

f_z = mm

a_p (mm)/ D_c (mm)= factor

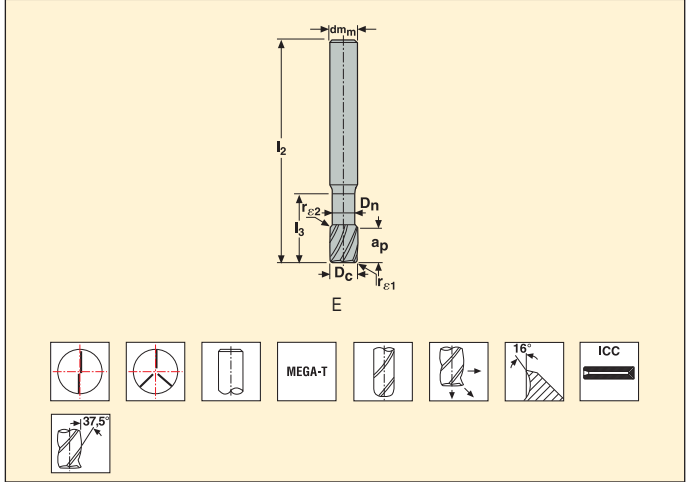
a_e (mm)/ D_c (mm)= factor

All cutting data are target values

JHP490 – Solid carbide end mill – corner radius, polished coating – roughing profile cylindrical shank



Tolerances:
 $dm_m = h5$
 $D_c = -0,02/-0,1 \text{ mm}$
 $r_{\epsilon1} = +/-0,05 \text{ mm}$



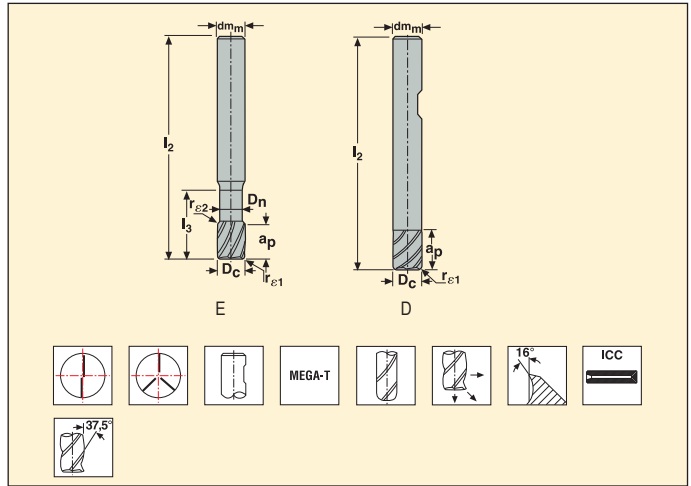
Part No.	Length index	Tool shape	ICC	Dimensions in mm						$r_{\epsilon1}$	$r_{\epsilon2}$	z_n	Cylindrical
				D_c	dm_m	a_p	l_2	l_3	D_n				
490V100R050Z2.0A-MEGA-T	2	E	■	10	10	12	65	20	9	0,5	2	2	■
490V100R200Z2.0A-MEGA-T	2	E	■	10	10	12	65	20	9	2	2	2	■
490V120R200Z2.0A-MEGA-T	2	E	■	12	12	14	75	24	11	2	2	2	■
490V160R050Z3.0A-MEGA-T	2	E	■	16	16	18	85	32	14,5	0,5	4	3	■
490V160R200Z3.0A-MEGA-T	2	E	■	16	16	18	85	32	14,5	2	4	3	■
490V200R050Z3.0A-MEGA-T	2	E	■	20	20	22	100	40	18	0,5	4	3	■
490V250R050Z3.0A-MEGA-T	2	E	■	25	25	27	125	50	23	0,5	5	3	■
490VL100R100Z2.0A-MEGA-T	3	E	■	10	10	22	85	42	9	1	2	2	■
490VL120R050Z3.0A-MEGA-T	3	E	■	12	12	14	95	40	11	0,5	2	3	■
490VL120R100Z2.0A-MEGA-T	3	E	■	12	12	26	95	50	11	1	2	2	■
490VL160R050Z3.0A-MEGA-T	3	E	■	16	16	18	95	45	14,5	0,5	4	3	■
490VL200R200Z3.0A-MEGA-T	3	E	■	20	20	42	125	65	18	2	4	3	■
490VXL250R050Z3.0A-MEGA-T	4	E	■	25	25	50	125	75	23	0,5	5	3	■

■ Stock standard. Subject to change refer to current price-and stock-list.
 ICC= Internal Coolant Channel

JHP490 – Solid carbide end mill – corner radius, polished coating – roughing profile – Weldon



Tolerances:
 $dm_m = h5$
 $D_c = -0,02/-0,1 \text{ mm}$
 $r_{e1} = +/ -0,05 \text{ mm}$



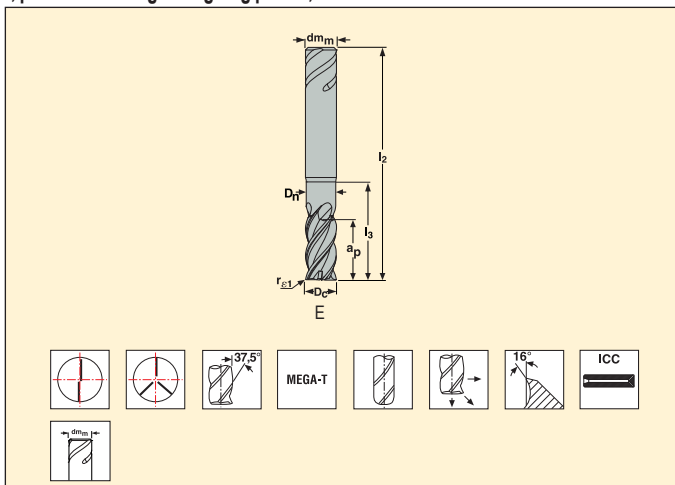
Part No.	Length index	Tool shape	ICC	Dimensions in mm							r_{e1}	r_{e2}	z_n	Weldon
				D_c	dm_m	a_p	l_2	l_3	D_n					
490100R100Z2A-MEGA-T	2	D	■	10	10	22	75	-	-	1	-	2	■	
490120R100Z2A-MEGA-T	2	D	■	12	12	26	85	-	-	1	-	2	■	
490160R200Z3A-MEGA-T	2	D	■	16	16	34	95	-	-	2	-	3	■	
490V100R050Z2A-MEGA-T	2	E	■	10	10	12	65	20	9	0,5	2	2	■	
490V100R200Z2.0A-MEGA-TW	2	E	■	10	10	12	65	20	9	2	2	2	□	
490V120R050Z2A-MEGA-T	2	E	■	12	12	14	75	24	11	0,5	2	2	■	
490V120R200Z2.0A-MEGA-TW	2	E	■	12	12	14	75	24	11	2	2	2	□	
490V160R050Z3A-MEGA-T	2	E	■	16	16	18	85	32	14,5	0,5	4	3	■	
490V160R200Z3A-MEGA-T	2	E	■	16	16	18	85	32	14,5	2	4	3	■	
490V200R050Z3A-MEGA-T	2	E	■	20	20	22	100	40	18	0,5	4	3	■	
490V250R050Z3A-MEGA-T	2	E	■	25	25	27	125	50	23	0,5	5	3	■	
490VL100R100Z2.0A-MEGA-TW	3	E	■	10	10	22	85	42	9	1	2	2	□	
490VL120R050Z3.0A-MEGA-TW	3	E	■	12	12	14	95	40	11	0,5	2	3	□	
490VL120R100Z2.0A-MEGA-TW	3	E	■	12	12	26	95	50	11	1	2	2	□	
490VL160R050Z3.0A-MEGA-TW	3	E	■	16	16	18	95	45	14,5	0,5	4	3	□	
490VL200R200Z3.0A-MEGA-TW	3	E	■	20	20	42	125	65	18	2	4	3	□	
490VXL250R050Z3.0A-MEGA-TW	4	E	■	25	25	50	125	75	23	0,5	5	3	□	

■ Stock standard. Subject to change refer to current price-and stock-list. □ Weldon available, delivery time is 3 days.
 ICC = Internal Coolant Channel

JHP490 – Solid carbide end mill – corner chamfer/radius, polished coating – roughing profile, Safelock shank



Tolerances:
 $dm_m = h5$
 $D_c = -0,02/-0,1 \text{ mm}$
 $r_{\epsilon 1} = +/-0,05 \text{ mm}$



Part No.	Length index	Tool shape	ICC	Dimensions in mm						$r_{\epsilon 1}$	$r_{\epsilon 2}$	z_n	Safelock
				D_c	dm_m	a_p	l_2	l_3	D_n				
490100R100Z2.9A-MEGA-T	2	D	■	10	10	22	75	–	–	1	–	2	<input type="checkbox"/>
490120R100Z2.9A-MEGA-T	2	D	■	12	12	26	85	–	–	1	–	2	<input type="checkbox"/>
490160R200Z3.9A-MEGA-T	2	E	■	16	16	18	85	32	14	2	4	3	<input type="checkbox"/>
490V100R050Z2.9A-MEGA-T	2	E	■	10	10	12	65	20	9	0,5	2	2	<input type="checkbox"/>
490V100R200Z2.9A-MEGA-T	2	E	■	10	10	12	65	20	9	2	2	2	<input type="checkbox"/>
490V120R050Z2.9A-MEGA-T	2	E	■	12	12	14	75	24	11	0,5	2	2	<input type="checkbox"/>
490V120R200Z2.9A-MEGA-T	2	E	■	12	12	14	75	24	11	2	2	2	<input type="checkbox"/>
490V160R050Z3.9A-MEGA-T	2	E	■	16	16	18	85	32	14	0,5	4	3	<input type="checkbox"/>
490V160R200Z3.9A-MEGA-T	2	E	■	16	16	18	85	32	14	2	4	3	<input type="checkbox"/>
490V200R050Z3.9A-MEGA-T	2	E	■	20	20	22	100	40	18	0,5	4	3	<input type="checkbox"/>
490V250R050Z3.9A-MEGA-T	2	E	■	25	25	27	125	50	23	0,5	5	3	<input type="checkbox"/>
490VL100R100Z2.9A-MEGA-T	3	E	■	10	10	22	85	42	9	1	2	2	<input type="checkbox"/>
490VL120R050Z3.9A-MEGA-T	3	E	■	12	12	14	95	40	11	0,5	2	3	<input type="checkbox"/>
490VL120R100Z2.9A-MEGA-T	3	E	■	12	12	26	95	50	11	1	2	2	<input type="checkbox"/>
490VL160R050Z3.9A-MEGA-T	2	E	■	16	16	18	85	32	14	0,5	4	3	<input type="checkbox"/>
490VL200R200Z3.9A-MEGA-T	3	E	■	20	20	42	125	65	18	2	4	3	<input type="checkbox"/>
490VXL250R050Z3.9A-MEGA-T	4	E	■	25	25	50	125	75	23	0,5	5	3	<input type="checkbox"/>

Safelock available.
 ICC= Internal Coolant Channel

Cutting data – JHP490 Slotting

SMG		a_p / D_c	f_z					v_c
			10	12	16	20	25	
N1	E/M/A	1,0	0,20	0,24	0,30	0,34	0,38	810 (650 — 970)
N2	E/M/A	1,0	0,20	0,24	0,30	0,34	0,38	520 (415 — 620)
N3	E/M/A	1,0	0,20	0,24	0,30	0,34	0,38	345 (275 — 415)

Cutting data – JHP490 Side milling $a_e/D_c = 0,5$

SMG		a_p / D_c	f_z					v_c
			10	12	16	20	25	
N1	E/M/A	1,0	0,20	0,24	0,30	0,34	0,38	950 (760 — 1150)
N2	E/M/A	1,0	0,20	0,24	0,30	0,34	0,38	610 (490 — 740)
N3	E/M/A	1,0	0,20	0,24	0,30	0,34	0,38	410 (325 — 490)

SMG = Seco material group

Coolant = A=air D=dry E=emulsion M=mist spray

v_c = m/min

f_z = mm

a_p (mm)/ D_c (mm)= factor

a_e (mm)/ D_c (mm)= factor

All cutting data are target values

JH40 – Solid carbide end mill – cylindrical – corner radius – two flute

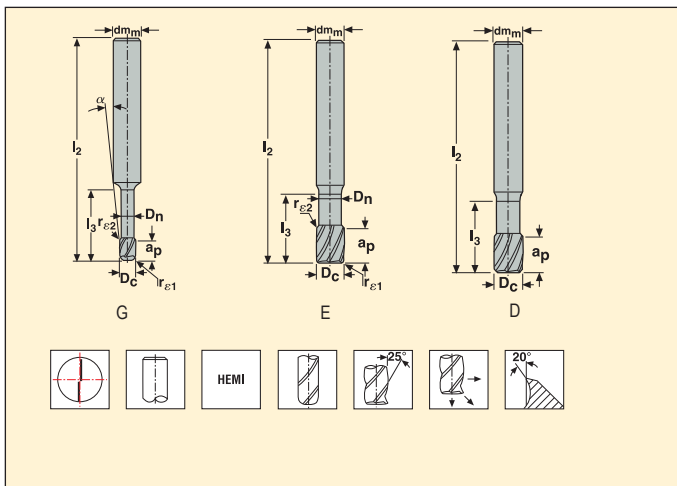


Tolerances:

$dm_m = h5$

$D_c = -0,02 / -0,04$ mm

$r_{e1} = +/- 0,1$ mm



Part No.	Length index	Tool shape	Dimensions in mm					r_{e1}	r_{e2}	α°	z_n	Cylindrical	
			D_c	dm_m	a_p	l_2	l_3						D_n
40K060-HEMI	1	D	6	6	13	50	–	–	0,1	–	–	2	■
40K080-HEMI	1	D	8	8	13	50	–	–	0,1	–	–	2	■
40K100-HEMI	1	D	10	10	16	50	–	–	0,1	–	–	2	■
40K120-HEMI	1	D	12	12	16	65	–	–	0,1	–	–	2	■
40020-HEMI	2	G	2	3	3	40	6	1,9	0,1	2	3,5	2	■
40030-HEMI	2	E	3	3	4	40	8	2,9	0,1	2	–	2	■
40040-HEMI	2	E	4	4	5	50	12	3,8	0,1	2	–	2	■
40050-HEMI	2	E	5	5	8	50	14	4,8	0,1	2	–	2	■
40060-HEMI	2	E	6	6	8	65	18	5,7	0,1	2	–	2	■
40080-HEMI	2	E	8	8	10	70	22	7,7	0,1	2	–	2	■
40100-HEMI	2	E	10	10	14	80	28	9,7	0,1	2	–	2	■
40120-HEMI	2	E	12	12	16	90	35	11,5	0,1	3	–	2	■
40160-HEMI	2	E	16	16	20	90	40	15,5	0,1	4	–	2	■
40200-HEMI	2	E	20	20	25	100	50	19,5	0,1	4	–	2	■

■ Stock standard. Subject to change refer to current price-and stock-list.

Cutting data – JH40 Slotting

SMG		a_p / D_c	f_z											v_c
			2	3	4	5	6	8	10	12	16	20		
N1	E/M/A	0,60	0,026	0,038	0,050	0,065	0,080	0,10	0,13	0,15	0,19	0,22	600 (500 — 710)	
N11	E/M/A	0,60	0,026	0,038	0,050	0,065	0,080	0,10	0,13	0,15	0,19	0,22	355 (265 — 440)	
TS1	A	0,60	0,020	0,030	0,040	0,050	0,060	0,080	0,10	0,12	0,15	0,17	650 (540 — 760)	

Cutting data – JH40 Side milling $a_e/D_c = 0,4$

SMG		a_p / D_c	f_z											v_c
			2	3	4	5	6	8	10	12	16	20		
N1	E/M/A	1,2	0,026	0,040	0,055	0,065	0,080	0,11	0,13	0,16	0,20	0,22	660 (550 — 780)	
N11	E/M/A	1,2	0,026	0,040	0,055	0,065	0,080	0,11	0,13	0,16	0,20	0,22	390 (290 — 485)	

Cutting data – JH40 Side milling $a_e/D_c = 0,3$

SMG		a_p / D_c	f_z											v_c
			2	3	4	5	6	8	10	12	16	20		
TS1	A	1,2	0,022	0,032	0,044	0,055	0,065	0,085	0,11	0,13	0,16	0,19	770 (640 — 900)	

SMG = Seco material group

Coolant = A=air D=dry E=emulsion M=mist spray

v_c = m/min

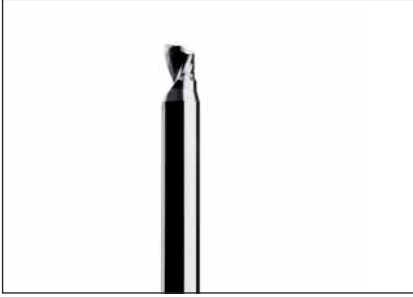
f_z = mm

a_p (mm)/ D_c (mm)= factor

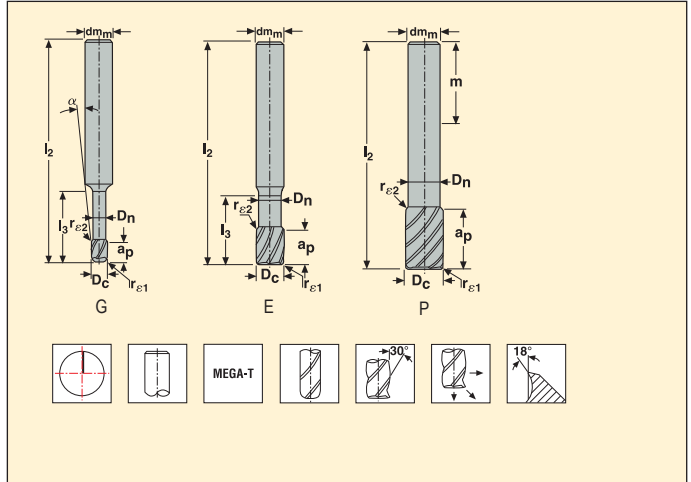
a_e (mm)/ D_c (mm)= factor

All cutting data are target values

JH410 – Solid carbide end mill – cylindrical – corner radius – one flute



Tolerances:
 $dm_m = h5$
 $D_c = 0/-0.05 \text{ mm}$
 $r_{e1} = 0/-0.05 \text{ mm}$



Part No.	Length index	Tool shape	Dimensions in mm						r_{e1}	m	α°	z_n
			D_c	dm_m	a_p	l_2	l_3	D_n				
410020R050-MEGA-T	2	G	2	6	3	50	6	1,7	0,5	36	12	1
410ML020R050-MEGA-T	2	G	2	6	3	50	12	1,7	0,5	36	7,5	1
410030R050-MEGA-T	2	G	3	6	4	50	8	2,7	0,5	36	7,5	1
410ML030R050-MEGA-T	2	G	3	6	4	60	15	2,7	0,5	36	5	1
410040R050-MEGA-T	2	G	4	6	5	60	8	3,6	0,5	36	5,5	1
410ML040R050-MEGA-T	2	G	4	6	5	60	15	3,6	0,5	36	3,5	1
410050R050-MEGA-T	2	G	5	6	7	65	11	4,5	0,5	36	2,5	1
410ML050R050-MEGA-T	2	G	5	6	7	65	18	4,5	0,5	36	1,5	1
410060R050-MEGA-T	2	E	6	6	8	70	11	5,3	0,5	36	-	1
410ML060R050-MEGA-T	2	E	6	6	8	70	18	5,3	0,5	36	-	1
410070RSR050-MEGA-T	2	P	7	6	9	65	-	6	0,5	36	-	1
410090RSR050-MEGA-T	2	P	9	8	11	65	-	8	0,5	36	-	1
410110RSR050-MEGA-T	2	P	11	10	13	70	-	10	0,5	40	-	1
410130RSR100-MEGA-T	2	P	13	12	15	70	-	12	1	45	-	1
410150RSR100-MEGA-T	2	P	15	14	17	80	-	14	1	45	-	1
410170RSR100-MEGA-T	2	P	17	16	19	80	-	16	1	48	-	1
410L070RSR200-MEGA-T	3	P	7	6	9	85	-	6	2	36	-	1
410L090RSR200-MEGA-T	3	P	9	8	11	85	-	8	2	36	-	1
410L110RSR200-MEGA-T	3	P	11	10	13	90	-	10	2	40	-	1
410L130RSR200-MEGA-T	3	P	13	12	15	90	-	12	2	45	-	1
410L150RSR200-MEGA-T	3	P	15	14	17	110	-	14	2	45	-	1
410L170RSR200-MEGA-T	3	P	17	16	19	110	-	16	2	48	-	1
410TL030R050-MEGA-T	2	G	3	6	4	60	21	2,7	0,5	36	4	1
410TL040R050-MEGA-T	2	G	4	6	5	60	21	3,6	0,5	36	2,5	1
410TL050R050-MEGA-T	2	G	5	6	7	65	26	4,5	0,5	36	1,5	1
410TL060R050-MEGA-T	2	E	6	6	8	70	31	5,3	0,5	36	-	1

■ Stock standard. Subject to change refer to current price-and stock-list.

Cutting data – JH410 Slotting

SMG		a_p / D_c	f_z											v_c
			2	3	4	5	6	7	9	11	13	15	17	
N1	E/M/A	0,75	0,060	0,090	0,12	0,15	0,18	0,22	0,28	0,34	0,38	0,44	0,48	570 (475 — 670)
N11	E/M/A	0,44	0,030	0,044	0,060	0,075	0,090	0,10	0,13	0,16	0,19	0,22	0,24	355 (265 — 440)
TS1	A	1,1	0,060	0,090	0,12	0,15	0,18	0,20	0,26	0,32	0,38	0,44	0,48	580 (485 — 680)

Cutting data – JH410 Side roughing $a_p/D_c = 0,3$

SMG		a_p / D_c	f_z											v_c
			2	3	4	5	6	7	9	11	13	15	17	
N11	E/M/A	0,60	0,032	0,050	0,065	0,080	0,10	0,12	0,15	0,18	0,22	0,24	0,26	530 (395 — 660)

Cutting data – JH410 Side roughing $a_p/D_c = 0,4$

SMG		a_p / D_c	f_z											v_c
			2	3	4	5	6	7	9	11	13	15	17	
N1	E/M/A	1,0	0,060	0,090	0,12	0,15	0,18	0,22	0,28	0,34	0,40	0,44	0,48	690 (570 — 800)
TS1	A	1,0	0,060	0,090	0,12	0,15	0,18	0,22	0,28	0,34	0,40	0,44	0,48	690 (580 — 810)

SMG = Seco material group

Coolant = A=air D=dry E=emulsion M=mist spray

v_c = m/min

f_z = mm

a_p (mm)/ D_c (mm)= factor

a_e (mm)/ D_c (mm)= factor

All cutting data are target values

JH421 – Solid carbide end mill – cylindrical – corner radius – two flute

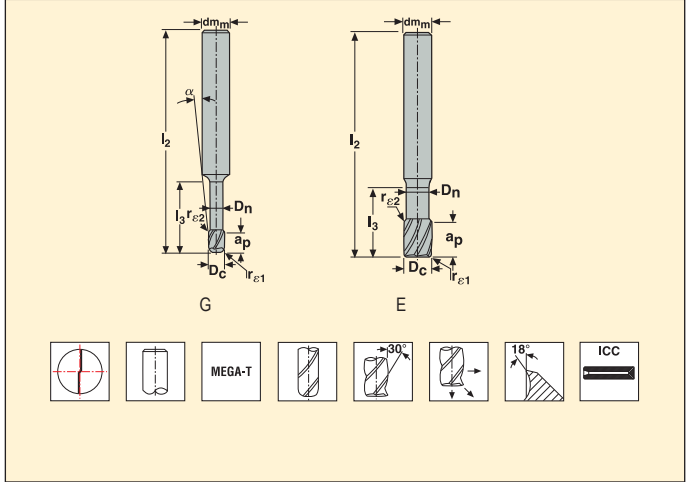


Tolerances:

$dm_m = h5$

$D_c = -0,02 / -0,04 \text{ mm}$

$r_{e1} = +/- 0,05 \text{ mm}$



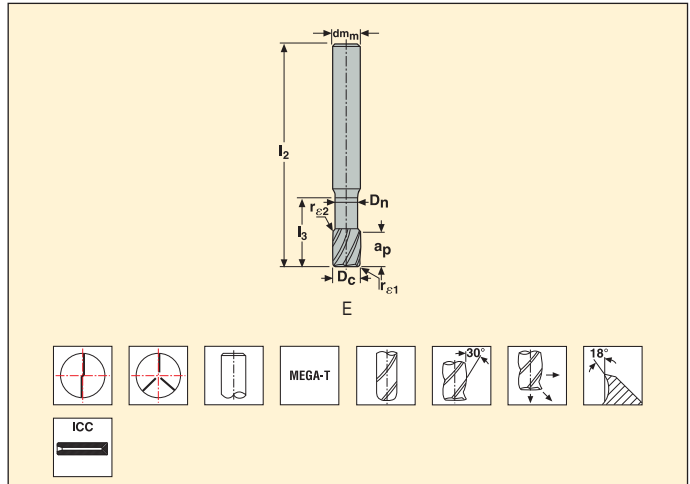
Part No.	Length index	Tool shape	ICC	Dimensions in mm								r_{e2}	α°	z_n	Cylindrical
				D_c	dm_m	a_p	l_2	l_3	D_n	r_{e1}					
421020R020Z2-MEGA-T	2	G		2	3	3	40	8	1,8	0,2	2	3	2	■	
421030R020Z2-MEGA-T	2	G		3	3	4	40	12	2,7	0,2	2	-	2	■	
421040R020Z2-MEGA-T	2	G		4	6	5	50	16	3,6	0,2	2	3	2	■	
421040R030Z2-MEGA-T	2	G		4	6	5	50	16	3,6	0,3	2	3	2	■	
421050R100Z2-MEGA-T	2	G		5	6	6	50	18	4,5	1	2	1,5	2	■	
421060R025Z2-MEGA-T	2	E		6	6	8	50	20	5,4	0,25	2	-	2	■	
421060R050Z2-MEGA-T	2	E		6	6	8	50	20	5,4	0,5	2	-	2	■	
421060R100Z2-MEGA-T	2	E		6	6	8	50	20	5,4	1	2	-	2	■	
421080R030Z2-MEGA-T	2	E		8	8	10	65	30	7,2	0,3	2	-	2	■	
421080R060Z2-MEGA-T	2	E		8	8	10	65	30	7,2	0,6	2	-	2	■	
421080R100Z2-MEGA-T	2	E		8	8	10	65	30	7,2	1	2	-	2	■	
421100R030Z2-MEGA-T	2	E		10	10	12	80	36	9	0,3	2	-	2	■	
421100R080Z2-MEGA-T	2	E		10	10	12	80	36	9	0,8	2	-	2	■	
421100R150Z2-MEGA-T	2	E		10	10	12	80	36	9	1,5	2	-	2	■	
421100R250Z2AMEGA-T	2	E	■	10	10	12	80	36	9	2,5	2	-	2	■	
421100R250Z2-MEGA-T	2	E		10	10	12	80	36	9	2,5	2	-	2	■	
421100R310Z2-MEGA-T	2	E		10	10	12	80	36	9	3,1	2	-	2	■	
421120R030Z2-MEGA-T	2	E		12	12	14	90	40	11	0,3	3	-	2	■	
421120R050Z2-MEGA-T	2	E		12	12	14	90	40	11	0,5	3	-	2	■	
421120R100Z2-MEGA-T	2	E		12	12	14	90	40	11	1	3	-	2	■	
421120R150Z2-MEGA-T	2	E		12	12	14	90	40	11	1,5	3	-	2	■	
421120R200Z2-MEGA-T	2	E		12	12	14	90	40	11	2	3	-	2	■	
421120R250Z2AMEGA-T	2	E	■	12	12	14	90	40	11	2,5	3	-	2	■	
421120R250Z2-MEGA-T	2	E		12	12	14	90	40	11	2,5	3	-	2	■	
421120R310Z2-MEGA-T	2	E		12	12	14	90	40	11	3,1	3	-	2	■	

ICC = Internal Coolant Channel
 ■ Stock standard. Subject to change refer to current price-and stock-list.

JH421 – Solid carbide end mill – cylindrical – corner radius – multi flute



Tolerances:
 $dm_m = h5$
 $D_c = -0,02 / -0,04 \text{ mm}$
 $r_{e1} = + / -0,05 \text{ mm}$



Part No.	Length index	Tool shape	ICC	Dimensions in mm						r_{e1}	r_{e2}	z_n	Cylindrical
				D_c	dm_m	a_p	l_2	l_3	D_n				
421160R050Z2-MEGA-T	2	E		16	16	18	100	45	14,5	0,5	4	2	■
421160R130Z2-MEGA-T	2	E		16	16	18	100	45	14,5	1,3	4	2	■
421160R200Z2-MEGA-T	2	E	■	16	16	18	100	45	14,5	2	4	2	■
421160R250Z2AMEGA-T	2	E		16	16	18	100	45	14,5	2,5	4	2	■
421160R250Z2-MEGA-T	2	E		16	16	18	100	45	14,5	2,5	4	2	■
421160R250Z3-MEGA-T	2	E		16	16	18	100	45	14,5	2,5	4	3	■
421160R310Z2-MEGA-T	2	E		16	16	18	100	45	14,5	3,1	4	2	■
421160R400Z2AMEGA-T	2	E	■	16	16	18	100	45	14,5	4	4	2	■
421160R400Z2-MEGA-T	2	E		16	16	18	100	45	14,5	4	4	2	■
421160R400Z3-MEGA-T	2	E		16	16	18	100	45	14,5	4	4	3	■
421200R160Z2-MEGA-T	2	E		20	20	24	100	45	18	1,6	4	2	■
421200R200Z2-MEGA-T	2	E		20	20	24	100	45	18	2	4	2	■
421200R250Z2AMEGA-T	2	E	■	20	20	24	100	45	18	2,5	4	2	■
421200R250Z2-MEGA-T	2	E		20	20	24	100	45	18	2,5	4	2	■
421200R310Z2-MEGA-T	2	E		20	20	24	100	45	18	3,1	4	2	■
421200R400Z2AMEGA-T	2	E	■	20	20	24	100	45	18	4	4	2	■
421200R400Z2-MEGA-T	2	E		20	20	24	100	45	18	4	4	2	■
421200R400Z3-MEGA-T	2	E		20	20	24	100	45	18	4	4	3	■
421200R500Z2-MEGA-T	2	E		20	20	24	100	45	18	5	4	2	■
421200R600Z2-MEGA-T	2	E		20	20	24	100	45	18	6	4	2	■
421250R250Z2-MEGA-T	2	E		25	25	30	100	45	23	2,5	4	2	■
421250R500Z2-MEGA-T	2	E		25	25	30	100	45	23	5	5	2	■

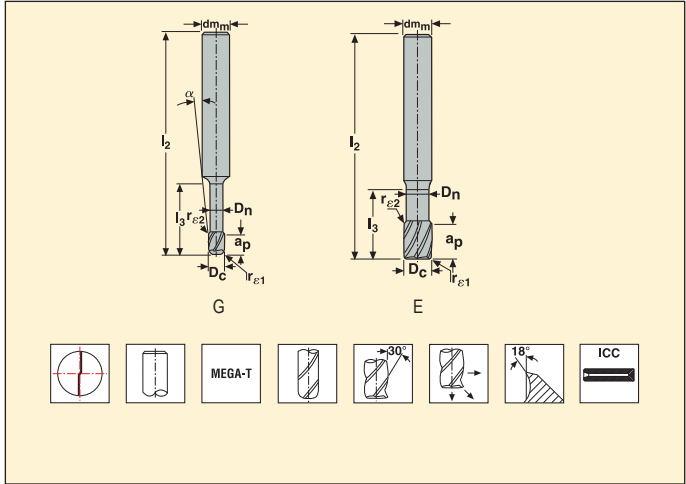
ICC= Internal Coolant Channel

■ Stock standard. Subject to change refer to current price-and stock-list.

JH421 – Solid carbide end mill – cylindrical – corner radius – multi flute



Tolerances:
 $dm_m = h5$
 $D_c = -0,02/-0,04 \text{ mm}$
 $r_{e1} = +/-0,05 \text{ mm}$



Part No.	Length index	Tool shape	ICC	Dimensions in mm							r_{e1}	r_{e2}	α°	z_n	Cylindrical
				D_c	dm_m	a_p	l_2	l_3	D_n						
421L080R020Z2-MEGA-T	3	E	-	8	8	6	75	40	7,2	0,2	2	-	2	■	
421L100R050Z2-MEGA-T	3	E	-	10	10	8	90	50	9	0,5	2	-	2	■	
421L100R250Z2-AMEGA-T	3	E	-	10	10	8	90	50	9	2,5	2	-	2	■	
421L100R250Z2-MEGA-T	3	E	-	10	10	8	90	50	9	2,5	2	-	2	■	
421L100R310Z2-MEGA-T	3	E	-	10	10	8	90	50	9	3,1	2	-	2	■	
421L120R050Z2-MEGA-T	3	E	-	12	12	10	110	70	11	0,5	3	-	2	■	
421L120R100Z2-MEGA-T	3	E	-	12	12	10	110	70	11	1	3	-	2	■	
421L120R150Z2-MEGA-T	3	E	-	12	12	10	110	70	11	1,5	3	-	2	■	
421L120R200Z2-MEGA-T	3	E	-	12	12	10	110	70	11	2	3	-	2	■	
421L120R250Z2-AMEGA-T	3	E	-	12	12	10	110	70	11	2,5	3	-	2	■	
421L120R250Z2-MEGA-T	3	E	-	12	12	10	110	70	11	2,5	3	-	2	■	
421L120R310Z2-MEGA-T	3	E	-	12	12	10	110	70	11	3,1	3	-	2	■	
421L140R050Z2-MEGA-T	3	G	-	14	16	12	110	70	13	0,5	3	1,0	2	■	
421L140R310Z2-MEGA-T	3	G	-	14	16	12	110	70	13	3,1	3	1,0	2	■	
421L160R050Z2-MEGA-T	3	E	-	16	16	13	125	80	14,5	0,5	4	-	2	■	
421L160R100Z2-MEGA-T	3	E	-	16	16	13	125	80	14,5	1	4	-	2	■	
421L160R200Z2-MEGA-T	3	E	-	16	16	13	125	80	14,5	2	4	-	2	■	
421L160R250Z2-AMEGA-T	3	E	-	16	16	13	125	80	14,5	2,5	4	-	2	■	
421L160R250Z2-MEGA-T	3	E	-	16	16	13	125	80	14,5	2,5	4	-	2	■	
421L160R310Z2-MEGA-T	3	E	-	16	16	13	125	80	14,5	3,1	4	-	2	■	
421L160R400Z2-AMEGA-T	3	E	-	16	16	13	125	80	14,5	4	5	-	2	■	
421L160R400Z2-MEGA-T	3	E	-	16	16	13	125	80	14,5	4	5	-	2	■	
421L200R050Z2-MEGA-T	3	E	-	20	20	16	150	100	18	0,5	4	-	2	■	
421L200R200Z2-MEGA-T	3	E	-	20	20	16	150	100	18	2	4	-	2	■	
421L200R310Z2-MEGA-T	3	E	-	20	20	16	150	100	18	3,1	4	-	2	■	
421L200R500Z2-MEGA-T	3	E	-	20	20	16	150	100	18	5	4	-	2	■	

ICC = Internal Coolant Channel
 Safelock available.

Cutting data – JH421 Slotting

SMG		a_p / D_c	f_z											v_c	
			2	3	4	5	6	8	10	12	14	16	20		25
N1	E/M/A	0,50	0,014	0,020	0,028	0,034	0,042	0,055	0,070	0,085	0,095	0,10	0,12	0,13	620 (510 – 720)
N11	E/M/A	0,50	0,0080	0,012	0,016	0,020	0,024	0,032	0,040	0,048	0,055	0,060	0,070	0,075	410 (310 – 510)
TS1	A	0,50	0,014	0,020	0,028	0,034	0,042	0,055	0,070	0,085	0,095	0,10	0,12	0,13	620 (510 – 720)
TP1	M	0,50	0,010	0,015	0,020	0,024	0,030	0,040	0,050	0,060	0,065	0,075	0,085	0,095	410 (310 – 510)

Cutting data – JH421 Side milling $a_e/D_c = 0,4$

SMG		a_p / D_c	f_z											v_c	
			2	3	4	5	6	8	10	12	14	16	20		25
N1	E/M/A	1,0	0,014	0,022	0,028	0,036	0,042	0,055	0,070	0,085	0,095	0,10	0,12	0,14	760 (640 – 890)
N11	E/M/A	1,0	0,0080	0,012	0,016	0,020	0,024	0,032	0,040	0,048	0,055	0,060	0,070	0,080	510 (380 – 630)
TS1	A	1,0	0,014	0,022	0,028	0,036	0,042	0,055	0,070	0,085	0,095	0,10	0,12	0,14	760 (640 – 890)
TP1	M	1,0	0,010	0,015	0,020	0,026	0,030	0,040	0,050	0,060	0,070	0,075	0,085	0,10	510 (380 – 630)

SMG = Seco material group

Coolant = A=air D=dry E=emulsion M=mist spray

v_c = m/min

f_z = mm

a_p (mm)/ D_c (mm) = factor

a_e (mm)/ D_c (mm) = factor

All cutting data are target values

JH820 – Solid carbide end mill – cylindrical – corner radius – Dura coated – two flute

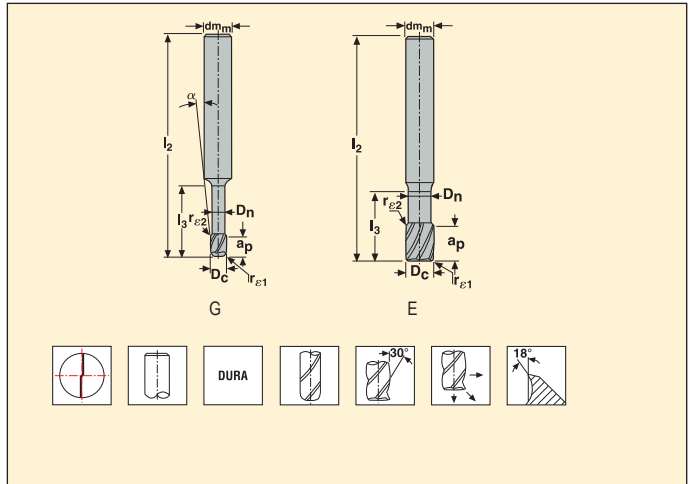


Tolerances:

$dm_m = h5$

$D_c = -0,02 / -0,04 \text{ mm}$

$r_{\epsilon1} = +/- 0,05 \text{ mm}$



Part No.	Length index	Tool shape	Dimensions in mm						$r_{\epsilon1}$	$r_{\epsilon2}$	α°	z_n	Cylindrical	
			D_c	dm_m	a_p	l_2	l_3	D_n						
820040R030-DURA	2	G	4	6	5	55	10	3,6	0,3	2	4,5	2	■	
820060R050-DURA	2	E	6	6	8	60	20	5,4	0,5	2	-	2	■	
820080R060-DURA	2	E	8	8	10	65	30	7,2	0,6	2	-	2	■	
820100R080-DURA	2	E	10	10	12	80	36	9	0,8	2	-	2	■	
820120R100-DURA	2	E	12	12	14	90	40	11	1	2	-	2	■	

■ Stock standard. Subject to change refer to current price-and stock-list.

Cutting data – JH820 Slotting

SMG		a_p / D_c	f_z					v_c
			4	6	8	10	12	
N2	E	0,32	0,024	0,036	0,048	0,060	0,070	370 (315 — 560)
N3	E	0,32	0,024	0,036	0,048	0,060	0,070	250 (210 — 370)

Cutting data – JH820 Side milling $a_e/D_c = 0,2$

SMG		a_p / D_c	f_z					v_c
			4	6	8	10	12	
N2	E	1,0	0,032	0,048	0,065	0,080	0,095	660 (550 — 980)
N3	E	1,0	0,032	0,048	0,065	0,080	0,095	440 (370 — 660)

SMG = Seco material group

Coolant = A=air D=dry E=emulsion M=mist spray

v_c = m/min

f_z = mm

a_p (mm)/ D_c (mm)= factor

a_e (mm)/ D_c (mm)= factor

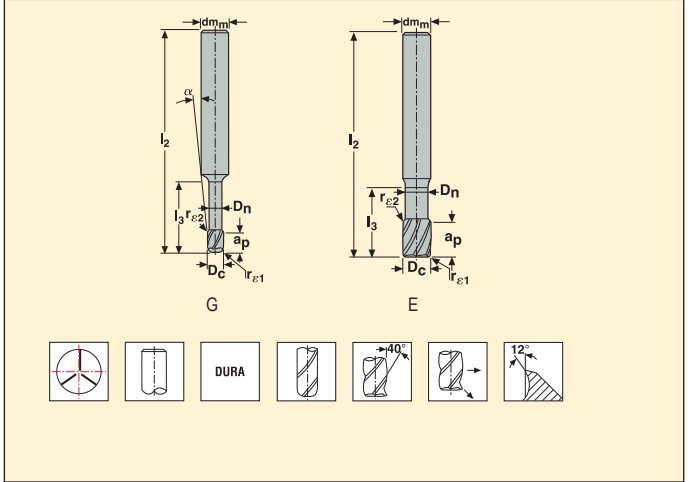
All cutting data are target values

JH830 – Solid carbide end mill – cylindrical – corner radius – Dura coated – three flute



Tolerances:

$dm_m = h5$
 $D_c = -0,02 / -0,04$ mm
 $r_{\epsilon 1} = +/- 0,05$ mm



Part No.	Length index	Tool shape	Dimensions in mm						$r_{\epsilon 1}$	$r_{\epsilon 2}$	α°	z_n	Cylindrical
			D_c	dm_m	a_p	l_2	l_3	D_n					
830020R020-DURA	2	G	2	3	3	40	6	1,9	0,2	2	3,5	3	■
830030R020-DURA	2	E	3	3	4	40	7	2,8	0,2	2	-	3	■
830040R020-DURA	2	G	4	6	5	55	9	3,7	0,2	2	5	3	■
830050R020-DURA	2	G	5	6	6	55	11	4,6	0,2	2	2,5	3	■
830060R020-DURA	2	E	6	6	7	60	14	5,6	0,2	2	-	3	■
830080R030-DURA	2	E	8	8	9	65	18	7,4	0,3	2	-	3	■
830100R050-DURA	2	E	10	10	12	75	25	9,4	0,5	2	-	3	■
830120R060-DURA	2	E	12	12	15	80	30	11,4	0,6	2	-	3	■

■ Stock standard. Subject to change refer to current price-and stock-list.

Cutting data – JH830 Slotting

SMG		a_p / D_c	f_z								v_c
			2	3	4	5	6	8	10	12	
N2	E	0,32	0,012	0,018	0,024	0,030	0,036	0,048	0,060	0,070	270 (225 — 405)
N3	E	0,32	0,012	0,018	0,024	0,030	0,036	0,048	0,060	0,070	180 (150 — 270)

Cutting data – JH830 Side milling $a_e/D_c = 0,5$

SMG		a_p / D_c	f_z								v_c
			2	3	4	5	6	8	10	12	
N2	E	1,0	0,016	0,024	0,032	0,040	0,048	0,065	0,080	0,095	480 (405 — 720)
N3	E	1,0	0,016	0,024	0,032	0,040	0,048	0,065	0,080	0,095	320 (270 — 480)

SMG = Seco material group

Coolant = A=air D=dry E=emulsion M=mist spray

v_c = m/min

f_z = mm

a_p (mm)/ D_c (mm)= factor

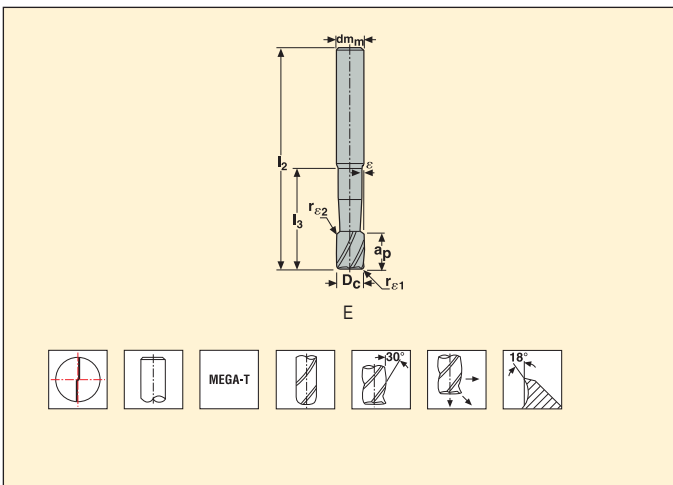
a_e (mm)/ D_c (mm)= factor

All cutting data are target values

JH440 – Solid carbide end mill – cylindrical – corner radius – two flute




Tolerances:
 $dm_m = h5$
 $D_c = -0,02/-0,4 \text{ mm}$
 $r_{e1} = +/-0,05 \text{ mm}$



Part No.	Length index	Tool shape	Dimensions in mm						r_{e1}	r_{e2}	z_n	Cylindrical	
			D_c	dm_m	a_p	l_2	l_3	D_n					
440060-MEGA-T	2	E	6	6	8	60	30	5,4	1,5	2	2	■	
440080-MEGA-T	2	E	8	8	10	60	30	7,2	2	2	2	■	
440100-MEGA-T	2	E	10	10	12	70	35	9	2,5	3	2	■	
440120-MEGA-T	2	E	12	12	12	80	40	11	3	3	2	■	
440160-MEGA-T	2	E	16	16	16	90	50	14,5	4	4	2	■	

■ Stock standard. Subject to change refer to current price-and stock-list.

Cutting data – JH440 Copy milling $a_e/D_c = 0,6$

SMG		a_p / D_c	f_z					v_c
			6	8	10	12	16	
N1	E/M/A	0,060	0,070	0,095	0,12	0,14	0,19	1350 (1000 — 1675)
N2	E/M/A	0,060	0,070	0,095	0,12	0,14	0,19	860 (650 — 1075)
N3	E/M/A	0,060	0,070	0,095	0,12	0,14	0,19	580 (430 — 720)
N11	E/M/A	0,060	0,070	0,095	0,12	0,14	0,19	425 (210 — 640)
TS1	A	0,060	0,070	0,095	0,12	0,14	0,18	1300 (1100 — 1525)
TP1	A	0,060	0,070	0,095	0,12	0,14	0,18	760 (540 — 970)

SMG = Seco material group

Coolant = A=air D=dry E=emulsion M=mist spray

v_c = m/min

f_z = mm

a_p (mm)/ D_c (mm)= factor

a_e (mm)/ D_c (mm)= factor

All cutting data are target values

JH450 – Solid carbide end mill – cylindrical – ball nose – two flute

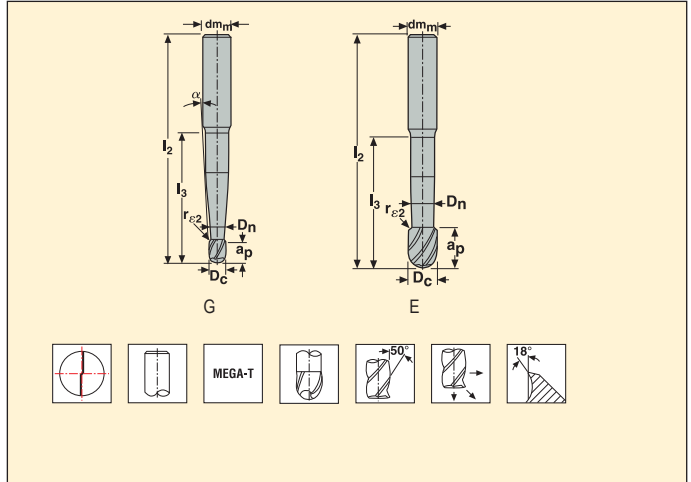


Tolerances:

$dm_m = h5$

$D_c = -0,02/-0,04$ mm


$r_{\epsilon 1} = +/-0,02$ mm



Part No.	Tool shape	Dimensions in mm						α°	z_n	Cylindrical
		D_c	dm_m	a_p	l_2	l_3	D_n			
450020-MEGA-T	G	2	3	1,75	40	10	1,8	3	2	■
450030-MEGA-T	E	3	3	2,5	40	12	2,7	-	2	■
450040-MEGA-T	G	4	6	3,5	50	21	3,6	3	2	■
450050-MEGA-T	G	5	6	4,5	50	22,5	4,5	2	2	■
450060-MEGA-T	E	6	6	5,5	55	25	5,4	-	2	■
450080-MEGA-T	E	8	8	7	65	30	7,2	-	2	■
450100-MEGA-T	E	10	10	8,5	75	35	9	-	2	■
450120-MEGA-T	E	12	12	10,5	75	40	11	-	2	■
450160-MEGA-T	E	16	16	14	90	50	14,5	-	2	■
450200-MEGA-T	E	20	20	17	100	50	18	-	2	■
450L100-MEGA-T	G	10	12	8,5	125	50	9	1,5	2	■
450L120-MEGA-T	E	12	12	10,5	150	60	11	-	2	■
450L160-MEGA-T	E	16	16	14	150	70	14,5	-	2	■

■ Stock standard. Subject to change refer to current price-and stock-list.

Cutting data – JH450 Copy rough milling $a_p/D_c = 0,3$

SMG		a_p / D_c	f_z										v_c
			2	3	4	5	6	8	10	12	16	20	
N1	E/M/A	0,38	0,028	0,044	0,060	0,075	0,090	0,13	0,17	0,20	0,30	0,34	610 (510 – 710)
N2	E/M/A	0,38	0,028	0,044	0,060	0,075	0,090	0,13	0,17	0,20	0,30	0,34	390 (325 – 455)
N3	E/M/A	0,38	0,028	0,044	0,060	0,075	0,090	0,13	0,17	0,20	0,30	0,34	260 (215 – 305)
N11	E/M/A	0,38	0,028	0,044	0,060	0,075	0,090	0,13	0,17	0,20	0,30	0,34	770 (640 – 900)
TS1	A	0,38	0,020	0,030	0,042	0,055	0,065	0,090	0,12	0,15	0,20	0,24	1000 (750 – 1250)
TP1	M	0,38	0,020	0,030	0,042	0,055	0,065	0,090	0,12	0,15	0,20	0,24	255 (210 – 295)

SMG = Seco material group

Coolant = A=air D=dry E=emulsion M=mist spray

v_c = m/min

f_z = mm

a_p (mm)/ D_c (mm) = factor

a_e (mm)/ D_c (mm) = factor

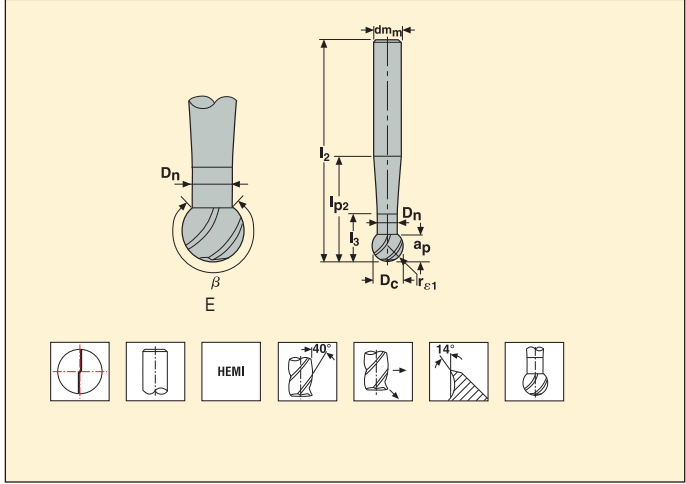
All cutting data are target values

JH460 - Solid carbide end mill - cylindrical - ball nose - two flute



Tolerances:

$dm_m = h5$
 $D_c = -0,02 / -0,06 \text{ mm}$
 $r_{\epsilon 1} = +/- 0,02 \text{ mm}$



Part No.	Length index	Tool shape	Dimensions in mm							$r_{\epsilon 1}$	β	z_n	Cylindrical	
			D_c	dm_m	a_p	l_2	l_3	l_{p2}	D_n					
460030-HEMI	2	E	3	3	2,3	60	4,8	9,9	1,5	1,5	250	2	■	
460040-HEMI	2	E	4	4	3,1	60	5,6	12,1	2	2	250	2	■	
460050-HEMI	2	E	5	5	3,9	70	6,4	14,4	2,5	2,5	250	2	■	
460060-HEMI	2	E	6	6	4,7	80	9,7	19,1	3	3	250	2	■	
460080-HEMI	2	E	8	8	6,2	85	11,2	23,6	4	4	250	2	■	
460100-HEMI	2	E	10	10	7,8	100	15,6	30,8	5	5	250	2	■	
460120-HEMI	2	E	12	12	9,4	125	17,2	35,3	6	6	250	2	■	

■ Stock standard. Subject to change refer to current price-and stock-list.

Cutting data – JH460 Copy rough milling $a_p/D_c = 0,6$

SMG		a_p / D_c	f_z							v_c
			3	4	5	6	8	10	12	
N1	E/M/A	0,32	0,060	0,085	0,11	0,14	0,18	0,24	0,28	1050 (880 — 1225)
N11	E/M/A	0,32	0,060	0,085	0,11	0,14	0,18	0,24	0,28	920 (770 — 1075)
S11	E/M/A	0,32	0,044	0,060	0,080	0,10	0,16	0,20	0,24	175 (155 — 190)
S12	E/M/A	0,32	0,044	0,060	0,080	0,10	0,16	0,20	0,24	135 (120 — 150)
S13	E/M/A	0,32	0,040	0,055	0,070	0,090	0,14	0,17	0,20	110 (95 — 120)
TS1	A	0,80	0,060	0,080	0,10	0,13	0,17	0,22	0,28	920 (770 — 1075)
TP1	M	0,32	0,060	0,085	0,11	0,14	0,18	0,24	0,28	280 (210 — 350)

SMG = Seco material group

Coolant = A=air D=dry E=emulsion M=mist spray

v_c = m/min

f_z = mm

a_p (mm)/ D_c (mm) = factor

a_e (mm)/ D_c (mm) = factor

All cutting data are target values

JM403/JM404/JM406 – Solid carbide end mill – sharp – cylindrical – corner radius – one flute



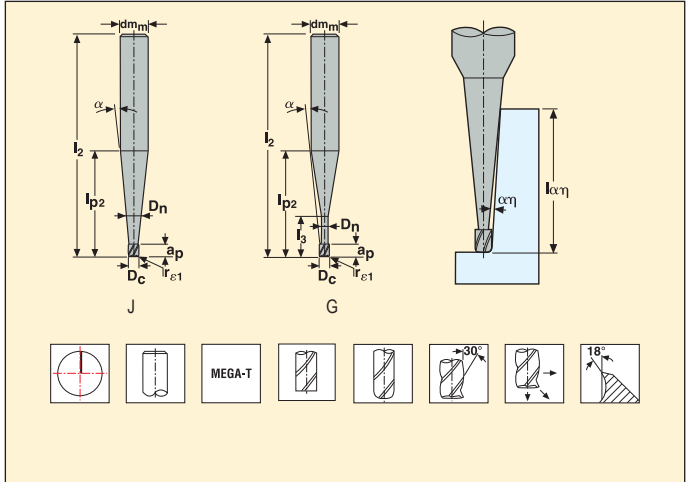
Tolerances:

Runout<0,005 mm

$dm_m=h5$

$D_c < 0,6 = -0,005 / -0,013$, $D_c \geq 0,6 = -0,005 / -0,015$ mm

$r_{c1} = \pm 0,01$ mm



Part No.	Length index	Tool shape	Dimensions in mm									α°	z_n	Max. cut depth rel. to α_η (l_{α_η} , ref)*					
			D_c	dm_m	a_p	l_2	l_3	l_{p2}	D_n	r_{c1}	0°			0.5°	1°	1.5°	2°	3°	
403002-MEGA-T	1	J	0,2	3	0,2	40	–	6	–	–	13,5	1	0,2	0,3	0,3	0,3	0,4	0,4	
403003-MEGA-T	1	J	0,3	3	0,3	40	–	5,9	–	–	13	1	0,3	0,4	0,4	0,4	0,5	0,5	
403004-MEGA-T	1	J	0,4	3	0,4	40	–	5,8	–	–	13	1	0,4	0,5	0,5	0,6	0,6	0,6	
403005-MEGA-T	1	J	0,5	3	0,5	40	–	5,8	–	–	12,5	1	0,5	0,6	0,6	0,7	0,7	0,8	
403ML005R005-MEGA-T	2	G	0,5	3	0,5	40	1,5	6,7	0,45	0,05	11	1	1,5	1,6	1,7	1,7	1,8	1,9	
403ML006R005-MEGA-T	2	G	0,6	3	0,6	40	2	7	0,55	0,05	10	1	2	2,1	2,2	2,3	2,3	2,5	
403ML008R005-MEGA-T	2	G	0,8	3	0,8	40	2,5	7,1	0,75	0,05	9	1	2,5	2,6	2,7	2,8	2,9	3,2	
403ML010R010-MEGA-T	2	G	1	3	1	40	4	8,3	0,95	0,1	7,5	1	4	4,2	4,3	4,5	4,6	5	
406ML012R010-MEGA-T	2	G	1,2	6	1,2	50	4,5	14	1,15	0,1	10	1	4,5	4,7	4,9	5	5,2	5,6	
406ML015R010-MEGA-T	2	G	1,5	6	1,5	50	5	14	1,4	0,1	9,5	1	5,1	5,3	5,5	5,7	5,9	6,4	
404ML020R010-MEGA-T	2	G	2	4	2	40	6	10,4	1,9	0,1	6	1	6,1	6,3	6,6	6,8	7	7,6	
403XL005R005-MEGA-T	5	G	0,5	3	0,5	40	4	9,21	0,45	0,05	8	1	4	4,2	4,3	4,5	4,6	5	
403XL006R005-MEGA-T	5	G	0,6	3	0,6	40	5	10	0,55	0,05	7	1	5	5,2	5,4	5,6	5,8	6,3	
403XL008R005-MEGA-T	5	G	0,8	3	0,8	40	7	11,6	0,75	0,05	5,5	1	7	7,3	7,5	7,8	8,1	8,8	
403XL010R010-MEGA-T	5	G	1	3	1	40	8,5	12,8	0,95	0,1	5	1	8,5	8,8	9,1	9,5	9,8	10,6	
406XL012R010-MEGA-T	5	G	1,2	6	1,2	50	10	19,5	1,15	0,1	7,5	1	10	10,4	10,7	11,1	11,5	12,5	
406XL015R010-MEGA-T	5	G	1,5	6	1,5	60	12	21	1,4	0,1	6,5	1	12,1	12,5	13	13,4	13,9	15,1	
406XL020R010-MEGA-T	5	G	2	6	2	60	16	24,1	1,9	0,1	5	1	16,1	16,7	17,3	17,9	8,5	20	

* The effective under -neck length for the various draft angles. Remark ∞ = infinity, no collision in projection length area.

Cutting data – JM403/JM404/406 Slotting

SMG		a_p / D_c	f_z										v_c
			0.2	0.3	0.4	0.5	0.6	0.8	1	1.2	1.5	2	
N1	E	0,40	0,0080	0,012	0,016	0,020	0,024	0,032	0,040	0,048	0,055	0,070	510 (425 — 600)
N2	E	0,40	0,0080	0,012	0,016	0,020	0,024	0,032	0,040	0,048	0,055	0,070	330 (275 — 385)
N3	E	0,40	0,0080	0,012	0,016	0,020	0,024	0,032	0,040	0,048	0,055	0,070	220 (185 — 255)

Cutting data – JM403/JM404/406 Side milling $a_e/D_c = 0,5$

SMG		a_p / D_c	f_z										v_c
			0.2	0.3	0.4	0.5	0.6	0.8	1	1.2	1.5	2	
N1	E	0,70	0,0080	0,012	0,016	0,020	0,024	0,032	0,040	0,046	0,055	0,065	590 (490 — 680)
N2	E	0,70	0,0080	0,012	0,016	0,020	0,024	0,032	0,040	0,046	0,055	0,065	375 (315 — 440)
N3	E	0,70	0,0080	0,012	0,016	0,020	0,024	0,032	0,040	0,046	0,055	0,065	250 (210 — 295)

SMG = Seco material group

Coolant = A=air D=dry E=emulsion M=mist spray

v_c = m/min

f_z = mm

a_p (mm)/ D_c (mm)= factor

a_e (mm)/ D_c (mm)= factor

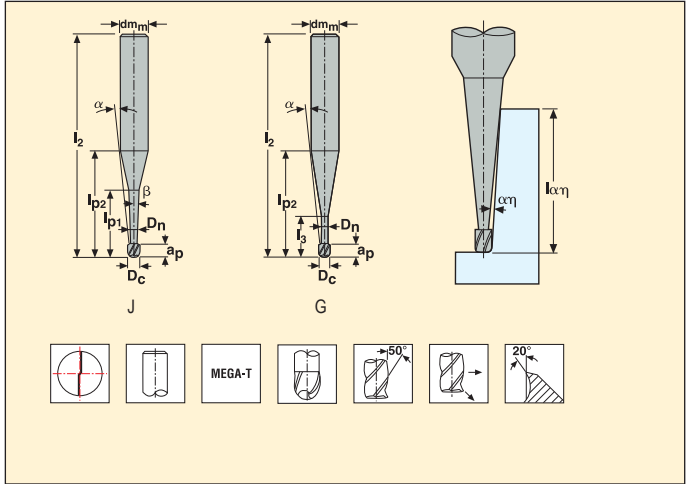
All cutting data are target values

JM413/JM416 – Solid carbide end mill – cylindrical – ball nose – two flute



Tolerances:
 Runout <math><0,005 \text{ mm}</math>

,
 radius = $\pm 0,005 \text{ mm}</math>$



Part No.	Length index	Tool shape	Dimensions in mm												Max. cut depth rel. to α_{η} ($l_{c\eta}$, ref)*											
			D_c	dm_m	a_p	l_2	l_3	l_{p1}	l_{p2}	D_n	r_{e1}	α_1	β	z_n	0°	0.5°	1°	1.5°	2°	3°						
413ML005TN-MEGA-T	2	J	0,5	3	0,375	40	-	1,5	6,6	0,45	0,25	11,5	0,9	2	1,5	1,5	1,6	1,6	1,7	1,8						
413L005-MEGA-T	3	G	0,5	3	0,375	40	2,5	2,5	7,7	0,45	0,25	10	-	2	2,5	2,6	2,7	2,8	2,9	3,1						
413L006-MEGA-T	3	G	0,6	3	0,45	40	3	3	8	0,55	0,3	9	-	2	3	3,1	3,2	3,3	3,5	3,7						
413L008-MEGA-T	3	G	0,8	3	0,6	40	4	4	8,6	0,75	0,4	8	-	2	4	4,2	4,3	4,4	4,6	4,9						
413L010-MEGA-T	3	G	1	3	0,75	40	5	5	9,3	0,95	0,5	7	-	2	5	5,2	5,4	5,5	5,7	6,2						
416L012-MEGA-T	3	G	1,2	6	0,9	50	6	6	15,5	1,15	0,6	-	-	2	∞	∞	∞	∞	∞	∞						
416L015-MEGA-T	3	G	1,5	6	1,125	50	7,5	7,5	16,5	1,4	0,75	8,5	-	2	7,6	7,9	8,1	8,4	8,7	9,3						
416L020-MEGA-T	3	G	2	6	1,5	50	10	10	18,1	1,9	1	7	-	2	10,1	10,4	10,8	11,1	11,5	12,4						
413XL005-MEGA-T	5	G	0,5	3	0,375	40	4	4	9,2	0,45	0,25	8	-	2	4	4,2	4,3	4,5	4,6	5						
413XL006-MEGA-T	5	G	0,6	3	0,45	40	5	5	10	0,55	0,3	7,5	-	2	5	5,2	5,4	5,6	5,8	6,2						
413XL008-MEGA-T	5	G	0,8	3	0,6	40	7	7	11,6	0,75	0,4	6	-	2	7	7,3	7,5	7,8	8	8,7						
413XL010-MEGA-T	5	G	1	3	0,75	40	8,5	8,5	12,8	0,95	0,5	5	-	2	8,5	8,8	9,1	9,4	9,8	10,5						
416XL012-MEGA-T	5	G	1,2	6	0,9	50	10	10	19,5	1,15	0,6	7,5	-	2	10	10,4	10,7	11,1	11,5	12,4						
416XL015-MEGA-T	5	G	1,5	6	1,125	60	12	12	21	1,4	0,75	-	-	2	∞	∞	∞	∞	∞	∞						
416XL020-MEGA-T	5	G	2	6	1,5	60	16	16	24,1	1,9	1	5	-	2	16,1	16,6	17,2	17,8	18,4	19,8						

* The effective under -neck length for the various draft angles. Remark ∞ = infinity, no collision in projection length area.

Cutting data – JM413/416 Copy finishing $a_p/D_c = 0,5$

SMG		a_p / D_c	f_z										v_c
			0.2	0.3	0.4	0.5	0.6	0.8	1	1.2	1.5	2	
N1	E	0,30	0,012	0,018	0,024	0,030	0,040	0,050	0,065	0,075	0,090	0,12	1275 (1075 — 1500)
N2	E	0,30	0,012	0,018	0,024	0,030	0,040	0,050	0,065	0,075	0,090	0,12	830 (690 — 960)
N3	E	0,30	0,012	0,018	0,024	0,030	0,040	0,050	0,065	0,075	0,090	0,12	550 (460 — 640)
TS1	A	0,30	0,012	0,018	0,024	0,030	0,036	0,048	0,060	0,070	0,090	0,12	830 (690 — 970)
TP1	A	0,30	0,012	0,018	0,024	0,030	0,036	0,048	0,060	0,070	0,090	0,12	830 (690 — 970)

Cutting data – JM413/416 Copy roughing $a_p/D_c = 0,3$

SMG		a_p / D_c	f_z										v_c
			0.2	0.3	0.4	0.5	0.6	0.8	1	1.2	1.5	2	
N1	E	0,30	0,0075	0,012	0,016	0,020	0,026	0,036	0,050	0,065	0,075	0,090	880 (730 — 1025)
N2	E	0,30	0,0075	0,012	0,016	0,020	0,026	0,036	0,050	0,065	0,075	0,090	560 (470 — 660)
N3	E	0,30	0,0075	0,012	0,016	0,020	0,026	0,036	0,050	0,065	0,075	0,090	375 (315 — 440)
N11	E	0,30	0,0075	0,012	0,016	0,020	0,026	0,036	0,050	0,065	0,075	0,090	560 (470 — 660)
TS1	A	0,30	0,0055	0,0085	0,011	0,015	0,018	0,026	0,036	0,046	0,055	0,065	590 (495 — 690)
TP1	A	0,30	0,0055	0,0085	0,011	0,015	0,018	0,026	0,036	0,046	0,055	0,065	590 (495 — 690)

SMG = Seco material group

Coolant = A=air D=dry E=emulsion M=mist spray

v_c = m/min

f_z = mm

a_p (mm)/ D_c (mm)= factor

a_e (mm)/ D_c (mm)= factor

All cutting data are target values



Name		JHP170	JHF180	JH120	JH130	JH930	JH141
Page		225-227	228-231	232-233	234-235	101-103, 236-238	145-147, 239-241
Family		HPM	HFM	HSM/TORNADO	HSM/TORNADO	HSM/TORNADO	HSM/TORNADO
Type of mill							
Shank	Cylindrical	■	■	■	■	■	■
	Weldon	■					
Number of flutes		3-4	3-4-5	4	5-6-8	5-6-8	2-4
ICC							
Diameter range	Metric	2-20	2-16	2-16	6-20	6-20	2-10
	Inch						
Lengths available, based on length index							
		2	2,3,4	2	2	2	2,3,4,5
Operation							
SMG							
H3		●	●	●	●	●	●
H5		●	●	●	●	●	●
H7		●	●	●	●	●	●
H8		●	●	●	●	●	●
H11		●	●	●	●	●	●
H12		●	●	●	●	●	●
H21		●	●	●	●	●	●
H31		●	●	●	●	●	●

■ Stock standard □ Weldon available, delivery time is 3 days
 ● Preferred choice, ○ Alternative choice

Name		JH111	JH150	JH160	JM103/JM106	JM113/JM116
Page		150-152, 242-244	153-154, 245-246	155-156, 247-248	249-251	252-253
Family		HSM/TORNADO	HSM/TORNADO	HSM/TORNADO	MINI	MINI
Type of mill						
Shank	Cylindrical	■	■	■	■	■
	Weldon					
Number of flutes		2	4	4	2	2
ICC						
Diameter range	Metric	2-16	6-12	4-12	0,2-2,0	0,2-2,0
	Inch					
Lengths available, based on length index						
		1,2,3,4,5	2	2	1,2,3,4,5,6	1,2,3,4,5,6
Operation						
SMG						
H3		●	●	●	●	●
H5		●	●	●	●	●
H7		●	●	●	●	●
H8		●	●	●	●	●
H11		●	●	●	●	●
H12		●	●	●	●	●
H21		●	●	●	●	●
H31		●	●	●	●	●

■ Stock standard
 ● Preferred choice, ○ Alternative choice

JHP170 – Solid carbide end mill – corner chamfer/radius – cylindrical



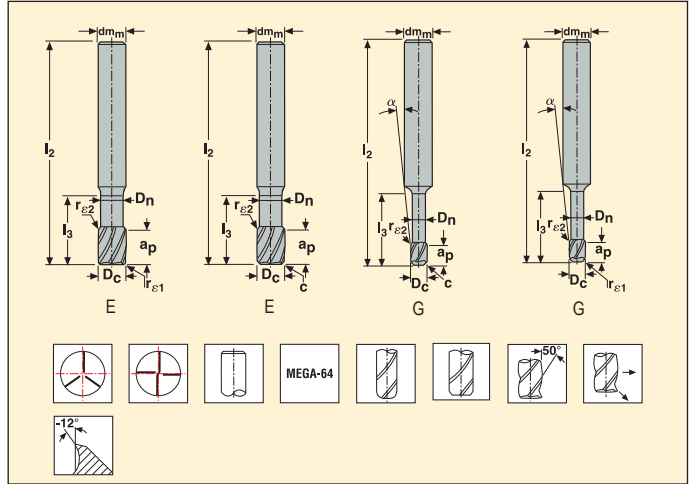
Tolerances:

$dm_m = h_5$

$D_c = -0,02 / -0,04$ mm

$c = \varnothing 2-4 = +0,05$, $\varnothing 5-16 = +0,1$

$r_{e1} = +/ -0,05$ mm.



Part No.	Length index	Tool shape	Dimensions in mm								c x 45°	α°	z _n	Cylindrical
			D _c	dm _m	a _p	l ₂	l ₃	D _n	r _{e1}	r _{e2}				
170020.0-MEGA-64	2	G	2	6	2	50	4	1,9	0	2	0,08	14,5	3	■
170020R020.0-MEGA-64	2	G	2	6	2	50	4	1,9	0,2	2	—	14,5	3	■
170020R050.0-MEGA-64	2	G	2	6	2	50	4	1,9	0,5	2	—	15	3	■
170030.0-MEGA-64	2	G	3	6	3	50	6	2,8	0	2	0,08	9	3	■
170030R020.0-MEGA-64	2	G	3	6	3	50	6	2,8	0,2	2	—	9,5	3	■
170030R050.0-MEGA-64	2	G	3	6	3	50	6	2,8	0,5	2	—	9,5	3	■
170040.0-MEGA-64	2	G	4	6	4	50	8	3,7	0	2	0,1	5,5	4	■
170040R020.0-MEGA-64	2	G	4	6	4	50	8	3,7	0,2	2	—	5,5	4	■
170040R050.0-MEGA-64	2	G	4	6	4	50	8	3,7	0,5	2	—	5,5	4	■
170050.0-MEGA-64	2	G	5	6	5	50	10	4,6	0	2	0,12	2,5	4	■
170050R020.0-MEGA-64	2	G	5	6	5	50	10	4,6	0,2	2	—	2,5	4	■
170050R050.0-MEGA-64	2	G	5	6	5	50	10	4,6	0,5	2	—	2,5	4	■
170060.0-MEGA-64	2	E	6	6	6	50	11,5	5,6	0	2	0,14	—	4	■
170060R020.0-MEGA-64	2	E	6	6	6	50	11,5	5,6	0,2	2	—	—	4	■
170060R050.0-MEGA-64	2	E	6	6	6	50	11,5	5,6	0,5	2	—	—	4	■
170080.0-MEGA-64	2	E	8	8	8	55	16	7,4	0	2	0,16	—	4	■
170080R020.0-MEGA-64	2	E	8	8	8	55	16	7,4	0,2	2	—	—	4	■
170080R050.0-MEGA-64	2	E	8	8	8	55	16	7,4	0,5	2	—	—	4	■
170080R100.0-MEGA-64	2	E	8	8	8	55	16	7,4	1	2	—	—	4	■
170100.0-MEGA-64	2	E	10	10	10	65	22	9,4	0	2	0,18	—	4	■
170100R050.0-MEGA-64	2	E	10	10	10	65	22	9,4	0,5	2	—	—	4	■
170100R100.0-MEGA-64	2	E	10	10	10	65	22	9,4	1	2	—	—	4	■
170120.0-MEGA-64	2	E	12	12	12	75	27	11,4	0	3	0,2	—	4	■
170120R050.0-MEGA-64	2	E	12	12	12	75	27	11,4	0,5	3	—	—	4	■
170120R100.0-MEGA-64	2	E	12	12	12	75	27	11,4	1	3	—	—	4	■
170160.0-MEGA-64	2	E	16	16	16	80	29	15,4	0	4	0,3	—	4	■
170160R050.0-MEGA-64	2	E	16	16	16	80	29	15,4	0,5	4	—	—	4	■
170160R100.0-MEGA-64	2	E	16	16	16	80	29	15,4	1	4	—	—	4	■

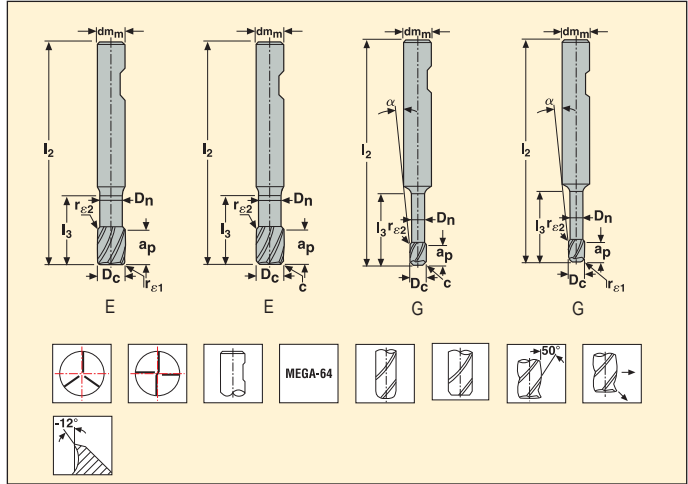
■ Stock standard. Subject to change refer to current price-and stock-list.

JHP170 – Solid carbide end mill – corner chamfer/radius – Weldon



Tolerances:

$dm_m = h5$
 $D_c = -0,02/-0,04$ mm
 $c = \varnothing 2-4 = +0,05, \varnothing 5-16 = +0,1$
 $r_{e1} = +/-0,05$ mm



Part No.	Length index	Tool shape	Dimensions in mm									c x 45°	α°	z _n	Weldon
			D _c	dm _m	a _p	l ₂	l ₃	D _n	r _{e1}	r _{e2}					
170020-MEGA-64	2	G	2	6	2	50	4	1,9	0	2	0,08	14,5	3	■	
170020R020.0-MEGA-64W	2	G	2	6	2	50	4	1,9	0,2	2	-	-	3	□	
170020R050.0-MEGA-64W	2	G	2	6	2	50	4	1,9	0,5	2	-	-	3	□	
170030-MEGA-64	2	G	3	6	3	50	6	2,8	0	2	0,08	9	3	■	
170030R020.0-MEGA-64W	2	G	3	6	3	50	6	2,8	0,2	2	-	-	3	□	
170030R050.0-MEGA-64W	2	G	3	6	3	50	6	2,8	0,5	2	-	-	3	□	
170040-MEGA-64	2	G	4	6	4	50	8	3,7	0	2	0,1	5,5	4	■	
170040R020.0-MEGA-64W	2	G	4	6	4	50	8	3,7	0,2	2	-	-	4	□	
170040R050.0-MEGA-64W	2	G	4	6	4	50	8	3,7	0,5	2	-	-	4	□	
170050-MEGA-64	2	G	5	6	5	50	10	4,6	0	2	0,12	2,5	4	■	
170050R020.0-MEGA-64W	2	G	5	6	5	50	10	4,6	0,2	2	-	-	4	□	
170050R050.0-MEGA-64W	2	G	5	6	5	50	10	4,6	0,5	2	-	-	4	□	
170060-MEGA-64	2	E	6	6	6	50	11,5	5,6	0	2	0,14	-	4	■	
170060R020.0-MEGA-64W	2	E	6	6	6	50	11,5	5,6	0,2	2	-	-	4	□	
170060R050.0-MEGA-64W	2	E	6	6	6	50	11,5	5,6	0,5	2	-	-	4	□	
170080-MEGA-64	2	E	8	8	8	55	16	7,4	0	2	0,16	-	4	■	
170080R020.0-MEGA-64W	2	E	8	8	8	55	16	7,4	0,2	2	-	-	4	□	
170080R100.0-MEGA-64W	2	E	8	8	8	55	16	7,4	0,5	2	-	-	4	□	
170080R100.0-MEGA-64W	2	E	8	8	8	55	16	7,4	1	2	-	-	4	□	
170100-MEGA-64	2	E	10	10	10	65	22	9,4	0	2	0,18	-	4	■	
170100R050.0-MEGA-64W	2	E	10	10	10	65	22	9,4	0,5	2	-	-	4	□	
170100R100.0-MEGA-64W	2	E	10	10	10	65	22	9,4	1	2	-	-	4	□	
170120-MEGA-64	2	E	12	12	12	75	27	11,4	0	3	0,2	-	4	■	
170120R050.0-MEGA-64W	2	E	12	12	12	75	27	11,4	0,5	3	-	-	4	□	
170120R100.0-MEGA-64W	2	E	12	12	12	75	27	11,4	1	3	-	-	4	□	
170160-MEGA-64	2	E	16	16	16	80	29	15,4	0	4	0,3	-	4	■	
170160R050.0-MEGA-64W	2	E	16	16	16	80	29	15,4	0,5	4	-	-	4	□	
170160R100.0-MEGA-64W	2	E	16	16	16	80	29	15,4	1	4	-	-	4	□	
170200R050-MEGA-64	2	E	20	20	20	100	40	19,2	0,5	-	-	-	4	■	
170200R100-MEGA-64	2	E	20	20	20	100	40	19,2	1	-	-	-	4	■	

□ weldon available. Add W after the designation when ordering. For example 170020R050.0-MEGA-64W

Cutting data – JHP170 Slotting

SMG		a_p / D_c	f_z										v_c
			2	3	4	5	6	8	10	12	16	20	
H3	M	0,40	0,0040	0,0060	0,0080	0,010	0,012	0,016	0,020	0,024	0,030	0,034	31 (28 – 34)
H5	M	0,60	0,0080	0,012	0,016	0,020	0,024	0,032	0,040	0,048	0,060	0,070	50 (46 – 55)
H7	M	0,36	0,0040	0,0060	0,0080	0,010	0,012	0,016	0,020	0,024	0,030	0,034	31 (28 – 34)
H8	M	0,60	0,0090	0,014	0,018	0,024	0,028	0,036	0,046	0,055	0,070	0,080	50 (45 – 55)
H11	M	0,60	0,0080	0,012	0,016	0,020	0,024	0,032	0,040	0,048	0,060	0,070	65 (60 – 70)
H12	M	0,60	0,0080	0,012	0,016	0,020	0,024	0,032	0,040	0,048	0,060	0,070	105 (95 – 115)
H21	M	0,60	0,0090	0,014	0,018	0,024	0,028	0,036	0,046	0,055	0,070	0,080	50 (45 – 55)
H31	M	0,60	0,0080	0,012	0,016	0,020	0,024	0,032	0,040	0,048	0,060	0,070	38 (34 – 42)

Cutting data – JHP170 Side milling $a_e/D_c = 0,2$

SMG		a_p / D_c	f_z										v_c
			2	3	4	5	6	8	10	12	16	20	
H3	M	0,80	0,0050	0,0075	0,010	0,013	0,015	0,020	0,026	0,030	0,036	0,042	42 (38 – 47)
H5	M	1,0	0,010	0,015	0,020	0,026	0,030	0,040	0,050	0,060	0,075	0,085	70 (65 – 80)
H7	M	0,80	0,0050	0,0075	0,010	0,013	0,015	0,020	0,026	0,030	0,036	0,042	42 (38 – 47)
H8	M	1,0	0,012	0,017	0,024	0,028	0,034	0,046	0,060	0,070	0,085	0,10	70 (60 – 75)
H11	M	1,0	0,010	0,015	0,020	0,026	0,030	0,040	0,050	0,060	0,075	0,085	90 (80 – 100)
H12	M	1,0	0,010	0,015	0,020	0,026	0,030	0,040	0,050	0,060	0,075	0,085	145 (130 – 160)
H21	M	1,0	0,012	0,017	0,024	0,028	0,034	0,046	0,060	0,070	0,085	0,10	70 (60 – 75)
H31	M	1,0	0,010	0,015	0,020	0,026	0,030	0,040	0,050	0,060	0,075	0,085	55 (48 – 60)

SMG = Seco material group

Coolant = A=air D=dry E=emulsion M=mist spray

v_c = m/min

f_z = mm

a_p (mm)/ D_c (mm)= factor

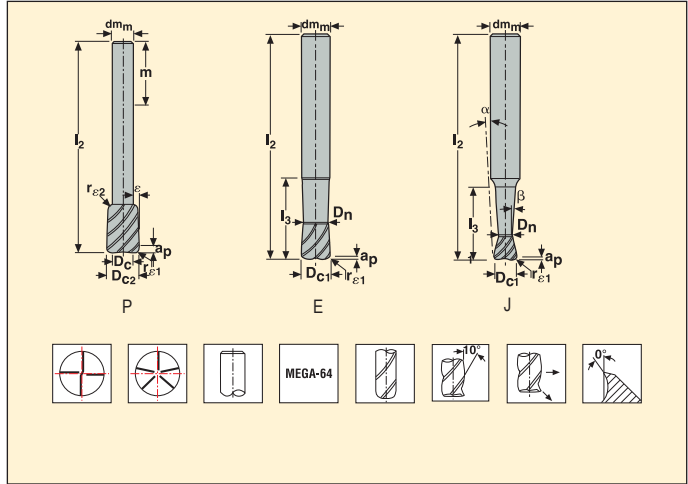
a_e (mm)/ D_c (mm)= factor

All cutting data are target values

JHF180 – Solid carbide high feed end mill – cylindrical – corner radius



Tolerances:
 $dm_m = h5$
 $D_c = -0,02/-0,04 \text{ mm}$
 $r_{c1} = +/-0,01 \text{ mm}$



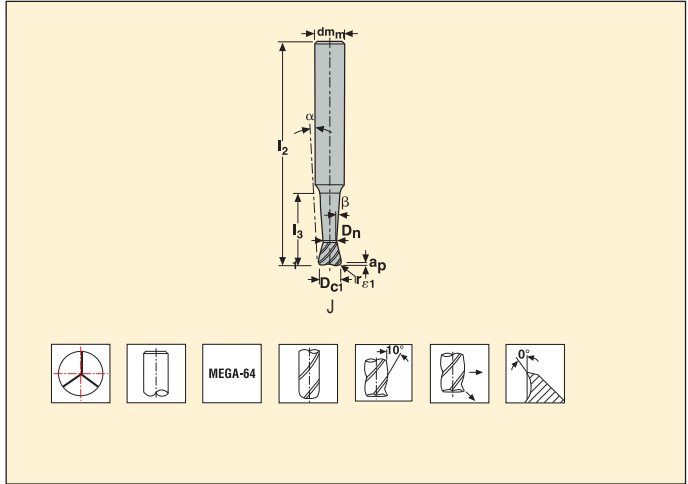
Part No.	Length index	Tool shape	Dimensions in mm										α°	β	z_n	Cylindrical
			D_c	D_{c1}	dm_m	a_p	l_2	l_3	D_n	r_{c1}	r_{c2}					
180020R050Z4-4-MEGA-64	1	J	1	2	4	0,5	40	4	0,8	0,5	2	9	–	4	■	
180020R050Z4-6-MEGA-64	1	J	1	2	6	0,5	50	4	0,8	0,5	2	15	–	4	■	
180030R075Z4-MEGA-64	1	J	1,5	3	6	0,75	50	6	1,2	0,75	2	10	–	4	■	
180040R100Z4-MEGA-64	1	J	2	4	6	1	50	8	1,6	1	2	6	–	4	■	
180060R150Z4-MEGA-64	1	E	3	6	6	1,5	50	12	2,4	1,5	2	–	–	4	■	
180070R150Z4-MEGA-64	1	P	4	7	6	1,5	65	–	3	1,5	2	–	–	4	■	
180080R200Z4-MEGA-64	1	E	4	8	8	2	55	16	3,3	2	2	–	–	4	■	
180090R200Z4-MEGA-64	1	P	5	9	8	2	70	–	4	2	2	–	–	4	■	
180100R200Z4-MEGA-64	1	E	6	10	10	2	65	20	5,2	2	2	–	–	4	■	
180100R200Z5-MEGA-64	1	E	6	10	10	2	65	20	5,2	2	2	–	–	5	■	
180110R200Z4-MEGA-64	1	P	7	11	10	2	85	–	6	2	3	–	–	4	■	
180120R300Z4-MEGA-64	1	E	6	12	12	3	75	24	5	3	3	–	–	4	■	
180120R300Z5-MEGA-64	1	E	6	12	12	3	75	24	5	3	3	–	–	5	■	
180130R300Z4-MEGA-64	1	P	7	13	12	3	100	–	6	3	4	–	–	4	■	
180160R300Z4-MEGA-64	1	E	10	16	16	3	80	32	8,8	3	4	–	–	4	■	
180160R300Z5-MEGA-64	1	E	10	16	16	3	80	32	8,8	3	4	–	–	5	■	
180ML020R050Z4-MEGA-64	2	J	1	2	6	0,5	50	8	0,8	0,5	2	10	–	4	■	
180ML030R075Z4-MEGA-64	2	J	1,5	3	6	0,75	50	12	1,2	0,75	2	6	–	4	■	
180ML040R100Z4-MEGA-64	2	J	2	4	6	1	50	16	1,6	1	2	3,5	–	4	■	
180ML060R150Z4-MEGA-64	2	E	3	6	6	1,5	65	24	2,4	1,5	2	–	–	4	■	
180ML080R200Z4-MEGA-64	2	E	4	8	8	2	70	32	3,3	2	2	–	–	4	■	
180ML100R200Z4-MEGA-64	2	E	6	10	10	2	85	40	5,2	2	2	–	–	4	■	
180ML120R300Z4-MEGA-64	2	E	6	12	12	3	100	48	5	3	3	–	–	4	■	
180ML160R300Z4-MEGA-64	2	E	10	16	16	3	125	64	8,8	3	4	–	–	4	■	
180L020R050TNZ4-4-MEGA-64	3	J	1	2	4	0,5	40	10	0,8	0,5	2	5	0,9	4	■	
180L020R050TNZ4-6-MEGA-64	3	J	1	2	6	0,5	50	10	0,8	0,5	2	8,5	0,9	4	■	
180L030R075TNZ4-MEGA-64	3	J	1,5	3	6	0,75	50	15	1,2	0,75	2	5	0,9	4	■	
180L040R100TNZ4-MEGA-64	3	J	2	4	6	1	60	20	1,6	1	2	3	0,9	4	■	
180L060R150TNZ4-MEGA-64	3	J	3	6	8	1,5	65	30	2,4	1,5	2	2	0,9	4	■	
180L080R200TNZ4-MEGA-64	3	E	4	8	10	2	85	40	3,3	2	2	1,5	0,9	4	■	
180L100R200TNZ4-MEGA-64	3	E	6	10	12	2	100	50	5,2	2	2	1,5	0,9	4	■	
180L120R300TNZ4-MEGA-64	3	E	6	12	16	3	100	60	5	3	3	2	0,9	4	■	
180L160R300TNZ4-MEGA-64	3	E	10	16	20	3	130	80	8,8	3	4	1,5	0,9	4	■	

■ Stock standard. Subject to change refer to current price-and stock-list.

JHF180 – Solid carbide high feed end mill – cylindrical – corner radius – multi flute



Tolerances:
 $dm_m = h5$
 $D_c = -0,02/-0,04$ mm
 $r_{e1} = +/-0,01$ mm



Part No.	Length index	Tool shape	Dimensions in mm									α°	β	z_n	Cylindrical
			D_c	D_{c1}	dm_m	a_p	l_2	l_3	D_n	r_{e1}	r_{e2}				
180TL020R050TNZ3-4-MEGA-64	4	J	1	2	4	0,5	40	14	0,8	0,5	2	4	0,9	3	■
180TL020R050TNZ3-6-MEGA-64	4	J	1	2	6	0,5	50	14	0,8	0,5	2	7	0,9	3	■
180TL030R075TNZ3-MEGA-64	4	J	1,5	3	6	0,75	60	21	1,2	0,75	2	4	0,9	3	■
180TL040R100TNZ3-MEGA-64	4	J	2	4	6	1	65	28	1,6	1	2	2	0,9	3	■
180TL060R150TNZ3-MEGA-64	4	J	3	6	8	1,5	80	42	2,4	1,5	2	1,5	0,9	3	■
180TL080R200TNZ3-MEGA-64	4	J	4	8	10	2	100	56	3,3	2	2	1,5	0,9	3	■
180TL100R200TNZ3-MEGA-64	4	J	6	10	12	2	125	70	5,2	2	2	1	0,9	3	■
180TL120R300TNZ3-MEGA-64	4	J	6	12	16	3	125	84	5	3	3	1,5	0,9	3	■

■ Stock standard. Subject to change refer to current price-and stock-list.

Cutting data – JHF180 Slotting z_n3

SMG		a_p / D_c	f_z								v_c
			2	3	4	6	8	10	12		
P6	E/M/A	0,055	0,020	0,030	0,040	0,15	0,20	0,26	0,30	330 (305 – 350)	
P7	E/M/A	0,055	0,020	0,030	0,040	0,15	0,20	0,26	0,30	310 (290 – 330)	
P8	E/M/A	0,055	0,022	0,032	0,042	0,16	0,22	0,26	0,32	290 (270 – 310)	
P11	E/M/A	0,055	0,020	0,030	0,040	0,15	0,20	0,26	0,30	300 (280 – 320)	
K1	E/M/A	0,055	0,022	0,034	0,044	0,17	0,22	0,28	0,34	245 (210 – 280)	
K2	E/M/A	0,055	0,020	0,030	0,040	0,15	0,20	0,26	0,30	220 (190 – 250)	
K3	E/M/A	0,055	0,020	0,030	0,040	0,15	0,20	0,26	0,30	185 (160 – 210)	
K4	E/M/A	0,055	0,020	0,030	0,040	0,15	0,20	0,26	0,30	175 (150 – 200)	
K5	E/M/A	0,055	0,018	0,028	0,036	0,14	0,18	0,22	0,28	105 (90 – 120)	
K6	E/M/A	0,055	0,020	0,030	0,040	0,15	0,20	0,26	0,30	155 (135 – 180)	
K7	E/M/A	0,055	0,018	0,028	0,036	0,14	0,18	0,22	0,28	135 (115 – 155)	
H3	M/A/D	0,028	0,014	0,022	0,028	0,15	0,20	0,24	0,30	110 (100 – 125)	
H5	M/A/D	0,028	0,022	0,032	0,044	0,18	0,24	0,30	0,36	200 (175 – 220)	
H7	M/A/D	0,028	0,014	0,022	0,028	0,15	0,20	0,24	0,30	110 (100 – 125)	
H8	M/A/D	0,028	0,017	0,026	0,034	0,17	0,22	0,28	0,34	200 (180 – 225)	
H21	M/A/D	0,028	0,017	0,026	0,034	0,17	0,22	0,28	0,34	200 (180 – 225)	
H31	M/A/D	0,028	0,014	0,022	0,028	0,15	0,20	0,24	0,30	155 (135 – 170)	

Cutting data – JHF180 Slotting z_n4

SMG		a_p / D_c	f_z												v_c
			2	3	4	6	7	8	9	10	11	12	13	16	
P6	E/M/A	0,055	0,020	0,030	0,040	0,15	0,18	0,20	0,22	0,26	0,28	0,30	0,32	0,38	325 (305 – 345)
P7	E/M/A	0,055	0,020	0,030	0,040	0,15	0,18	0,20	0,22	0,26	0,28	0,30	0,32	0,38	305 (285 – 325)
P8	E/M/A	0,055	0,022	0,032	0,042	0,16	0,19	0,22	0,24	0,26	0,30	0,32	0,34	0,38	285 (265 – 305)
P11	E/M/A	0,055	0,020	0,030	0,040	0,15	0,18	0,20	0,22	0,26	0,28	0,30	0,32	0,38	300 (280 – 320)
K1	E/M/A	0,055	0,022	0,034	0,044	0,17	0,20	0,22	0,26	0,28	0,30	0,34	0,36	0,42	245 (210 – 280)
K2	E/M/A	0,055	0,020	0,030	0,040	0,15	0,18	0,20	0,22	0,26	0,28	0,30	0,32	0,38	215 (185 – 250)
K3	E/M/A	0,055	0,020	0,030	0,040	0,15	0,18	0,20	0,22	0,26	0,28	0,30	0,32	0,38	185 (155 – 210)
K4	E/M/A	0,055	0,020	0,030	0,040	0,15	0,18	0,20	0,22	0,26	0,28	0,30	0,32	0,38	175 (150 – 200)
K5	E/M/A	0,055	0,018	0,028	0,036	0,14	0,16	0,18	0,20	0,22	0,26	0,28	0,28	0,34	105 (90 – 120)
K6	E/M/A	0,055	0,020	0,030	0,040	0,15	0,18	0,20	0,22	0,26	0,28	0,30	0,32	0,38	155 (130 – 175)
K7	E/M/A	0,055	0,018	0,028	0,036	0,14	0,16	0,18	0,20	0,22	0,26	0,28	0,28	0,34	135 (115 – 155)
H3	M/A/D	0,028	0,014	0,022	0,028	0,15	0,17	0,20	0,22	0,24	0,28	0,30	0,32	0,36	110 (100 – 120)
H5	M/A/D	0,028	0,022	0,032	0,044	0,18	0,20	0,24	0,28	0,30	0,32	0,36	0,40	0,48	195 (175 – 220)
H7	M/A/D	0,028	0,014	0,022	0,028	0,15	0,17	0,20	0,22	0,24	0,28	0,30	0,32	0,36	110 (100 – 120)
H8	M/A/D	0,028	0,017	0,026	0,034	0,17	0,20	0,22	0,26	0,28	0,32	0,34	0,36	0,42	200 (175 – 220)
H21	M/A/D	0,028	0,017	0,026	0,034	0,17	0,20	0,22	0,26	0,28	0,32	0,34	0,36	0,42	200 (175 – 220)
H31	M/A/D	0,028	0,014	0,022	0,028	0,15	0,17	0,20	0,22	0,24	0,28	0,30	0,32	0,36	155 (135 – 170)

SMG = Seco material group

Coolant = A=air D=dry E=emulsion M=mist spray

v_c = m/min

f_z = mm

a_p (mm)/ D_c (mm)= factor

a_e (mm)/ D_c (mm)= factor

All cutting data are target values

Cutting data – JHF180 Side roughing $z_n 3, a_e/D_c = 0,3$

SMG		a_p / D_c	f_z							v_c
			2	3	4	6	8	10	12	
P6	E/M/A	0,055	0,022	0,034	0,044	0,17	0,22	0,28	0,32	380 (355 – 410)
P7	E/M/A	0,055	0,022	0,034	0,044	0,17	0,22	0,28	0,32	360 (335 – 385)
P8	E/M/A	0,055	0,024	0,034	0,046	0,17	0,24	0,30	0,34	340 (320 – 365)
P11	E/M/A	0,055	0,022	0,034	0,044	0,17	0,22	0,28	0,32	350 (325 – 375)
K1	E/M/A	0,055	0,024	0,036	0,050	0,18	0,24	0,30	0,36	290 (250 – 335)
K2	E/M/A	0,055	0,022	0,034	0,044	0,17	0,22	0,28	0,34	255 (220 – 290)
K3	E/M/A	0,055	0,022	0,034	0,044	0,17	0,22	0,28	0,34	215 (185 – 245)
K4	E/M/A	0,055	0,022	0,034	0,044	0,17	0,22	0,28	0,34	205 (175 – 235)
K5	E/M/A	0,055	0,020	0,030	0,040	0,15	0,20	0,26	0,30	125 (110 – 145)
K6	E/M/A	0,055	0,022	0,034	0,044	0,17	0,22	0,28	0,34	180 (155 – 205)
K7	E/M/A	0,055	0,020	0,030	0,040	0,15	0,20	0,26	0,30	160 (140 – 185)
H3	M/A/D	0,028	0,016	0,024	0,032	0,16	0,22	0,28	0,32	125 (115 – 140)
H5	M/A/D	0,028	0,024	0,036	0,048	0,18	0,24	0,30	0,36	230 (205 – 255)
H7	M/A/D	0,028	0,016	0,024	0,032	0,16	0,22	0,28	0,32	125 (115 – 140)
H8	M/A/D	0,028	0,018	0,028	0,036	0,18	0,24	0,30	0,36	230 (205 – 255)
H21	M/A/D	0,028	0,018	0,028	0,036	0,18	0,24	0,30	0,36	230 (205 – 255)
H31	M/A/D	0,028	0,016	0,024	0,032	0,16	0,22	0,28	0,32	175 (155 – 195)

Cutting data – JHF180 Side roughing $z_n 4, a_e/D_c = 0,3$

SMG		a_p / D_c	f_z												v_c
			2	3	4	6	7	8	9	10	11	12	13	16	
P6	E/M/A	0,055	0,022	0,034	0,044	0,17	0,19	0,22	0,24	0,28	0,30	0,32	0,34	0,40	380 (355 – 405)
P7	E/M/A	0,055	0,022	0,034	0,044	0,17	0,19	0,22	0,24	0,28	0,30	0,32	0,34	0,40	355 (335 – 380)
P8	E/M/A	0,055	0,024	0,034	0,046	0,17	0,20	0,24	0,26	0,30	0,32	0,34	0,36	0,42	335 (315 – 360)
P11	E/M/A	0,055	0,022	0,034	0,044	0,17	0,19	0,22	0,24	0,28	0,30	0,32	0,34	0,40	345 (325 – 370)
K1	E/M/A	0,055	0,024	0,036	0,050	0,18	0,20	0,24	0,28	0,30	0,32	0,36	0,38	0,46	290 (245 – 330)
K2	E/M/A	0,055	0,022	0,034	0,044	0,17	0,20	0,22	0,26	0,28	0,30	0,34	0,36	0,42	255 (215 – 290)
K3	E/M/A	0,055	0,022	0,034	0,044	0,17	0,20	0,22	0,26	0,28	0,30	0,34	0,36	0,42	215 (185 – 245)
K4	E/M/A	0,055	0,022	0,034	0,044	0,17	0,20	0,22	0,26	0,28	0,30	0,34	0,36	0,42	205 (175 – 235)
K5	E/M/A	0,055	0,020	0,030	0,040	0,15	0,18	0,20	0,22	0,26	0,28	0,30	0,32	0,36	125 (105 – 140)
K6	E/M/A	0,055	0,022	0,034	0,044	0,17	0,20	0,22	0,26	0,28	0,30	0,34	0,36	0,42	180 (155 – 205)
K7	E/M/A	0,055	0,020	0,030	0,040	0,15	0,18	0,20	0,22	0,26	0,28	0,30	0,32	0,36	160 (135 – 180)
H3	M/A/D	0,028	0,016	0,024	0,032	0,16	0,19	0,22	0,24	0,28	0,30	0,32	0,34	0,40	125 (110 – 140)
H5	M/A/D	0,028	0,024	0,036	0,048	0,18	0,20	0,24	0,28	0,30	0,32	0,36	0,40	0,48	230 (205 – 255)
H7	M/A/D	0,028	0,016	0,024	0,032	0,16	0,19	0,22	0,24	0,28	0,30	0,32	0,34	0,40	125 (110 – 140)
H8	M/A/D	0,028	0,018	0,028	0,036	0,18	0,20	0,24	0,28	0,30	0,32	0,36	0,40	0,46	230 (205 – 255)
H21	M/A/D	0,028	0,018	0,028	0,036	0,18	0,20	0,24	0,28	0,30	0,32	0,36	0,40	0,46	230 (205 – 255)
H31	M/A/D	0,028	0,016	0,024	0,032	0,16	0,19	0,22	0,24	0,28	0,30	0,32	0,34	0,40	175 (155 – 195)

SMG = Seco material group

Coolant = A=air D=dry E=emulsion M=mist spray

v_c = m/min

f_z = mm

a_p (mm)/ D_c (mm) = factor

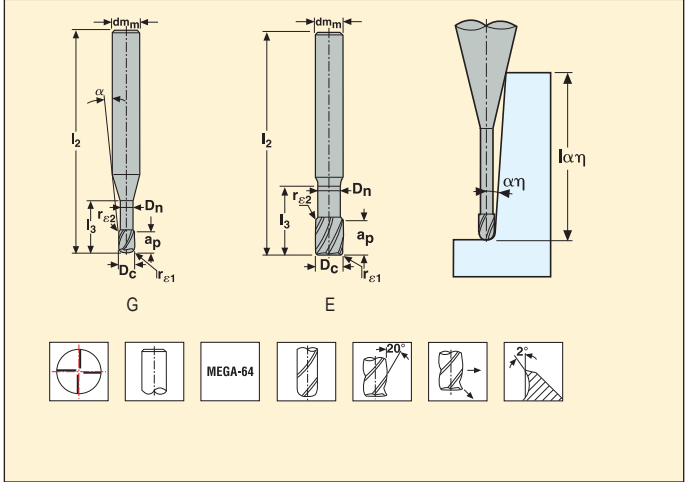
a_e (mm)/ D_c (mm) = factor

All cutting data are target values

JH120 – Solid carbide end mill – corner radius – 4 flute



Tolerances:
 $dm_m = h5$
 $D_c = -0,02/-0,04$ mm
 $r_{\epsilon1} = +/-0,05$ mm



Part No.	Length index	Tool shape	Dimensions in mm										α°	z_n	Max. cut depth rel. to $\alpha\eta$ ($\alpha\eta, \text{ref}$)*					
			D_c	dm_m	a_p	l_2	l_3	D_n	$r_{\epsilon1}$	$r_{\epsilon2}$	0°	0.5°			1°	1.5°	2°	3°		
120020-MEGA-64	2	G	2	6	2,5	50	5	1,9	0,2	2	10,5	4	5	5,4	5,6	5,7	5,9	6,2		
120025-MEGA-64	2	G	2,5	6	3	50	6	2,4	0,25	2	8,5	4	6	6,4	6,6	6,8	7	7,5		
120030-MEGA-64	2	G	3	6	4	50	7	2,8	0,3	2	7	4	7	7,7	8	8,2	8,5	9,2		
120035-MEGA-64	2	G	3,5	6	4,5	50	8	3,2	0,35	2	5,5	4	8	9	9,3	9,7	10	10,9		
120040-MEGA-64	2	G	4	6	5	50	9	3,7	0,4	2	4,5	4	9	10	10,4	10,8	11,2	12,2		
120050-MEGA-64	2	G	5	6	6	50	12	4,6	0,5	2	2,5	4	12	13	13,4	13,7	14,1	14,9		
120060-MEGA-64	2	E	6	6	7	55	14	5,6	0,6	2	-	4	14	∞	∞	∞	∞	∞		
120080-MEGA-64	2	E	8	8	10	60	18	7,4	0,8	2	-	4	18	∞	∞	∞	∞	∞		
120100-MEGA-64	2	E	10	10	12	70	25	9,4	1	2	-	4	25	∞	∞	∞	∞	∞		
120120-MEGA-64	2	E	12	12	15	80	30	11,4	1,2	3	-	4	30	∞	∞	∞	∞	∞		
120160-MEGA-64	2	E	16	16	18	90	35	15,4	1,6	4	-	4	35	∞	∞	∞	∞	∞		

* The effective under -neck length for the various draft angles. Remark ∞ = infinity, no collision in projection length area.

Cutting data – JH120 Slotting

SMG		a_p / D_c	f_z											v_c
			2	2.5	3	3.5	4	5	6	8	10	12	16	
H3	M	0,050	0,0028	0,0050	0,0060	0,0070	0,0080	0,010	0,012	0,016	0,020	0,024	0,030	80 (65 — 95)
H5	M	0,18	0,0080	0,010	0,012	0,014	0,016	0,020	0,024	0,032	0,040	0,048	0,060	125 (100 — 145)
H7	M	0,044	0,0028	0,0055	0,0065	0,0075	0,0085	0,011	0,013	0,017	0,022	0,026	0,032	80 (65 — 95)
H8	M	0,18	0,0090	0,012	0,014	0,016	0,018	0,024	0,028	0,036	0,046	0,055	0,070	120 (100 — 145)
H21	M	0,18	0,0090	0,012	0,014	0,016	0,018	0,024	0,028	0,036	0,046	0,055	0,070	120 (100 — 145)
H31	M	0,18	0,0080	0,010	0,012	0,014	0,016	0,020	0,024	0,032	0,040	0,048	0,060	95 (75 — 110)

Cutting data – JH120 Side milling $a_e/D_c = 0,03$

SMG		a_p / D_c	f_z											v_c
			2	2.5	3	3.5	4	5	6	8	10	12	16	
H3	M	0,050	0,0080	0,010	0,012	0,014	0,016	0,020	0,024	0,032	0,040	0,048	0,065	140 (115 — 165)
H5	M	1,2	0,011	0,014	0,016	0,019	0,020	0,028	0,032	0,042	0,055	0,060	0,080	225 (185 — 265)
H7	M	0,044	0,0080	0,010	0,012	0,014	0,016	0,020	0,024	0,032	0,040	0,048	0,065	140 (115 — 165)
H8	M	1,2	0,012	0,015	0,018	0,020	0,024	0,030	0,036	0,048	0,060	0,070	0,085	220 (180 — 260)
H21	M	1,2	0,012	0,015	0,018	0,020	0,024	0,030	0,036	0,048	0,060	0,070	0,085	220 (180 — 260)
H31	M	1,2	0,011	0,014	0,016	0,019	0,020	0,028	0,032	0,042	0,055	0,060	0,080	170 (140 — 200)

SMG = Seco material group

Coolant = A=air D=dry E=emulsion M=mist spray

v_c = m/min

f_z = mm

a_p (mm)/ D_c (mm)= factor

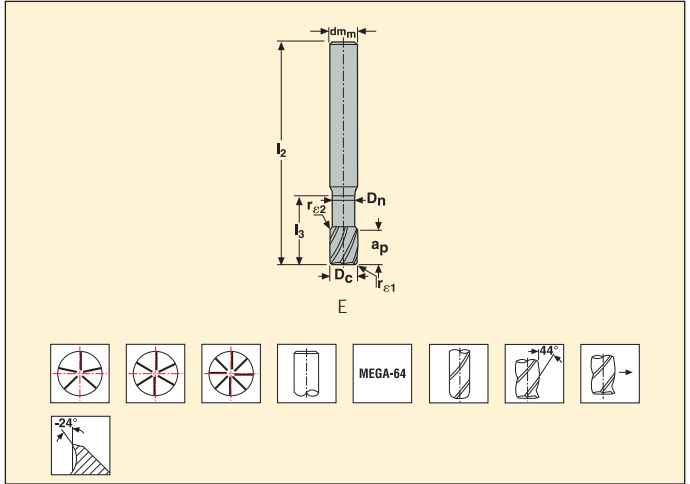
a_e (mm)/ D_c (mm)= factor

All cutting data are target values

JH130 – Solid carbide end mill – corner radius – multiflute



Tolerances:
 $dm_m = h5$
 $D_c = -0,02 / -0,04 \text{ mm}$
 $r_{\epsilon 1} = +/- 0,05 \text{ mm}$



Part No.	Length index	Tool shape	Dimensions in mm								Z_n
			D_c	dm_m	a_p	l_2	l_3	D_n	$r_{\epsilon 1}$	$r_{\epsilon 2}$	
130060-MEGA-64	2	E	6	6	6	55	6	5,6	0,2	2	5
130080-MEGA-64	2	E	8	8	8	60	8	7,4	0,2	2	5
130100-MEGA-64	2	E	10	10	10	70	10	9,4	0,3	2	6
130120-MEGA-64	2	E	12	12	12	80	12	11,4	0,5	3	6
130160-MEGA-64	2	E	16	16	16	90	16	15,4	0,5	4	8
130200-MEGA-64	2	E	20	20	20	100	20	19,2	0,5	4	8

Cutting data – JH130 Side milling finishing $a_e/D_c = 0,1$

SMG		a_p / D_c	f_z						v_c
			6	8	10	12	16	20	
H3	M	1,0	0,018	0,024	0,030	0,036	0,048	0,060	170 (155 — 180)
H5	M	1,0	0,030	0,040	0,050	0,060	0,080	0,10	305 (280 — 330)
H7	M	1,0	0,018	0,024	0,030	0,036	0,048	0,060	170 (155 — 180)
H8	M	1,0	0,034	0,044	0,055	0,065	0,085	0,10	305 (280 — 330)
H21	M	1,0	0,034	0,044	0,055	0,065	0,085	0,10	305 (280 — 330)
H31	M	1,0	0,030	0,040	0,050	0,060	0,080	0,10	230 (210 — 250)

Cutting data – JH130 Side milling roughing $a_e/D_c = 0,2$

SMG		a_p / D_c	f_z						v_c
			6	8	10	12	16	20	
H3	M	1,0	0,018	0,024	0,030	0,036	0,048	0,060	155 (140 — 165)
H5	M	1,0	0,030	0,040	0,050	0,060	0,080	0,10	275 (255 — 295)
H7	M	1,0	0,018	0,024	0,030	0,036	0,048	0,060	155 (140 — 165)
H8	M	1,0	0,030	0,040	0,050	0,060	0,080	0,10	275 (255 — 295)
H21	M	1,0	0,030	0,040	0,050	0,060	0,080	0,10	275 (255 — 295)
H31	M	1,0	0,030	0,040	0,050	0,060	0,080	0,10	205 (190 — 225)

SMG = Seco material group

Coolant = A=air D=dry E=emulsion M=mist spray

v_c = m/min

f_z = mm

a_p (mm)/ D_c (mm)= factor

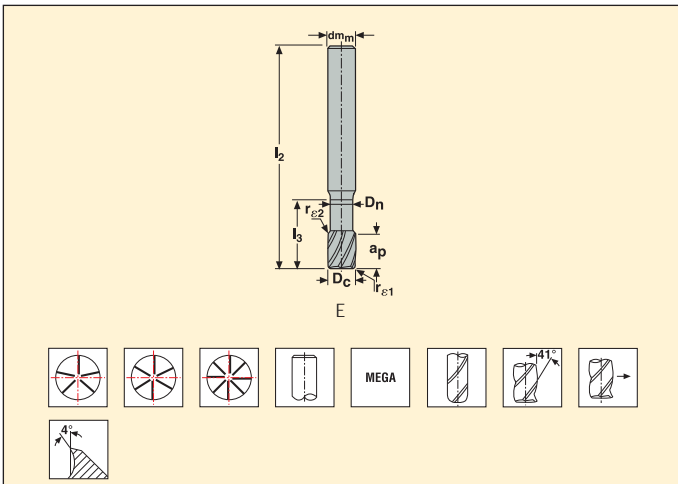
a_e (mm)/ D_c (mm)= factor

All cutting data are target values

JH930 – Solid carbide end mill – corner radius – multiflute



Tolerances:
 $dm_m = h5$
 $D_c = -0,02/-0,04 \text{ mm}$
 $r_{\epsilon1} = +/- 0,05 \text{ mm}$



Part No.	Length index	Tool shape	Dimensions in mm								Z _n
			D _c	dm _m	a _p	l ₂	l ₃	D _n	r _{ε1}	r _{ε2}	
930060R020-MEGA	2	E	6	6	9	55	9	5,6	0,2	2	5
930060R050-MEGA	2	E	6	6	9	55	9	5,6	0,5	2	5
930080R020-MEGA	2	E	8	8	12	60	12	7,4	0,2	2	5
930080R050-MEGA	2	E	8	8	12	60	12	7,4	0,5	2	5
930100R030-MEGA	2	E	10	10	15	70	15	9,4	0,3	2	6
930100R100-MEGA	2	E	10	10	15	70	15	9,4	1	2	6
930120R050-MEGA	2	E	12	12	18	80	18	11,4	0,5	3	6
930120R100-MEGA	2	E	12	12	18	80	18	11,4	1	3	6
930160R050-MEGA	2	E	16	16	24	90	24	15,4	0,5	4	8
930160R100-MEGA	2	E	16	16	24	90	24	15,4	1	4	8
930200R050-MEGA	2	E	20	20	30	100	30	19,2	0,5	4	8
930200R100-MEGA	2	E	20	20	30	100	30	19,2	1	4	8

Cutting data – JH930 Side milling finishing $a_e/D_c = 0,02$

SMG		a_p / D_c	f_z						v_c
			6	8	10	12	16	20	
P1	M/E/A	1,0	0,080	0,10	0,13	0,16	0,20	0,26	530 (495 – 560)
P2	M/E/A	1,0	0,080	0,10	0,13	0,16	0,20	0,26	510 (480 – 550)
P3	M/E/A	1,0	0,080	0,10	0,13	0,16	0,20	0,26	445 (415 – 470)
P4	M/E/A	1,0	0,080	0,10	0,13	0,16	0,20	0,26	390 (365 – 415)
P5	M/E/A	1,0	0,080	0,10	0,13	0,16	0,20	0,26	370 (350 – 395)
P6	M/E/A	1,0	0,080	0,10	0,13	0,16	0,20	0,26	420 (390 – 445)
P7	M/E/A	1,0	0,080	0,10	0,13	0,16	0,20	0,26	395 (370 – 420)
P8	M/E/A	1,0	0,080	0,10	0,13	0,16	0,20	0,26	370 (350 – 395)
P11	M/E/A	1,0	0,080	0,10	0,13	0,16	0,20	0,26	385 (360 – 410)
K1	E/M/A	1,0	0,080	0,10	0,13	0,16	0,20	0,26	300 (275 – 325)
K2	E/M/A	1,0	0,080	0,10	0,13	0,16	0,20	0,26	260 (240 – 280)
K3	E/M/A	1,0	0,080	0,10	0,13	0,16	0,20	0,26	220 (205 – 240)
K4	E/M/A	0,80	0,080	0,10	0,13	0,16	0,20	0,26	210 (195 – 230)
K5	E/M/A	0,80	0,080	0,10	0,13	0,16	0,20	0,24	125 (115 – 135)
K6	E/M/A	0,80	0,080	0,10	0,13	0,16	0,20	0,26	185 (170 – 200)
K7	E/M/A	0,80	0,080	0,10	0,13	0,16	0,20	0,24	160 (150 – 175)
S1	E/M/A	1,2	0,085	0,12	0,15	0,17	0,22	0,24	85 (65 – 110)
S2	E/M/A	1,2	0,085	0,12	0,15	0,17	0,22	0,24	85 (65 – 110)
S3	E/M/A	0,50	0,055	0,070	0,090	0,11	0,14	0,18	44 (33 – 55)
S11	E/M/A	1,0	0,075	0,10	0,13	0,15	0,19	0,22	185 (155 – 220)
S12	E/M/A	1,0	0,075	0,10	0,13	0,15	0,19	0,22	145 (120 – 170)
S13	E/M/A	1,0	0,065	0,090	0,11	0,13	0,16	0,19	115 (95 – 135)
H3	M/A	0,50	0,018	0,024	0,030	0,036	0,048	0,060	165 (155 – 180)
H5	M/A	1,5	0,030	0,040	0,050	0,060	0,080	0,10	285 (265 – 310)
H7	M/A	0,44	0,018	0,024	0,030	0,036	0,048	0,060	170 (155 – 180)
H8	M/A	1,5	0,030	0,040	0,050	0,060	0,080	0,10	285 (265 – 310)
H21	M/A	1,5	0,030	0,040	0,050	0,060	0,080	0,10	285 (265 – 310)
H31	M/A	1,5	0,030	0,040	0,050	0,060	0,080	0,10	215 (200 – 235)

SMG = Seco material group

Coolant = A=air D=dry E=emulsion M=mist spray

v_c = m/min

f_z = mm

a_p (mm)/ D_c (mm)= factor

a_e (mm)/ D_c (mm)= factor

All cutting data are target values

Cutting data – JH930 Side milling roughing $a_p/D_c = 0,03$

SMG		a_p / D_c	f_z						v_c
			6	8	10	12	16	20	
P1	M/E/A	1,0	0,080	0,10	0,13	0,16	0,20	0,24	455 (430 – 485)
P2	M/E/A	1,0	0,080	0,10	0,13	0,16	0,20	0,24	445 (415 – 475)
P3	M/E/A	1,0	0,080	0,10	0,13	0,16	0,20	0,22	385 (360 – 410)
P4	M/E/A	1,0	0,080	0,10	0,13	0,16	0,19	0,22	335 (315 – 360)
P5	M/E/A	1,0	0,080	0,10	0,13	0,15	0,19	0,22	320 (300 – 345)
P6	M/E/A	1,0	0,075	0,10	0,13	0,15	0,19	0,22	360 (340 – 385)
P7	M/E/A	1,0	0,075	0,10	0,13	0,15	0,19	0,22	340 (320 – 365)
P8	M/E/A	1,0	0,080	0,10	0,13	0,16	0,20	0,22	320 (300 – 345)
P11	M/E/A	1,0	0,075	0,10	0,13	0,15	0,19	0,22	330 (310 – 355)
K1	E/M/A	1,0	0,080	0,10	0,13	0,16	0,20	0,24	260 (240 – 280)
K2	E/M/A	1,0	0,080	0,10	0,13	0,15	0,19	0,22	225 (205 – 245)
K3	E/M/A	1,0	0,080	0,10	0,13	0,15	0,19	0,22	190 (175 – 205)
K4	E/M/A	0,80	0,080	0,10	0,13	0,15	0,19	0,22	185 (170 – 195)
K5	E/M/A	0,80	0,070	0,095	0,12	0,14	0,17	0,20	110 (100 – 120)
K6	E/M/A	0,80	0,080	0,10	0,13	0,15	0,19	0,22	160 (150 – 175)
K7	E/M/A	0,80	0,070	0,095	0,12	0,14	0,17	0,20	140 (130 – 150)
S1	E/M/A	0,95	0,070	0,095	0,12	0,14	0,17	0,20	80 (60 – 100)
S2	E/M/A	0,95	0,070	0,095	0,12	0,14	0,17	0,20	80 (60 – 100)
S3	E/M/A	0,50	0,055	0,070	0,090	0,11	0,14	0,18	38 (28 – 47)
S11	E/M/A	0,70	0,060	0,080	0,10	0,12	0,15	0,17	170 (140 – 200)
S12	E/M/A	0,70	0,060	0,080	0,10	0,12	0,15	0,17	130 (110 – 155)
S13	E/M/A	0,60	0,055	0,070	0,090	0,11	0,13	0,15	105 (85 – 120)
H5	M/A	1,0	0,030	0,040	0,050	0,060	0,080	0,10	255 (235 – 275)
H8	M/A	1,0	0,030	0,040	0,050	0,060	0,080	0,10	255 (235 – 275)
H21	M/A	1,0	0,030	0,040	0,050	0,060	0,080	0,10	255 (235 – 275)
H31	M/A	1,0	0,030	0,040	0,050	0,060	0,080	0,10	195 (175 – 210)

SMG = Seco material group

Coolant = A=air D=dry E=emulsion M=mist spray

v_c = m/min

f_z = mm

a_p (mm)/ D_c (mm)= factor

a_e (mm)/ D_c (mm)= factor

All cutting data are target values

JH141 – Solid carbide end mill – corner radius – cylindrical



Tolerances:

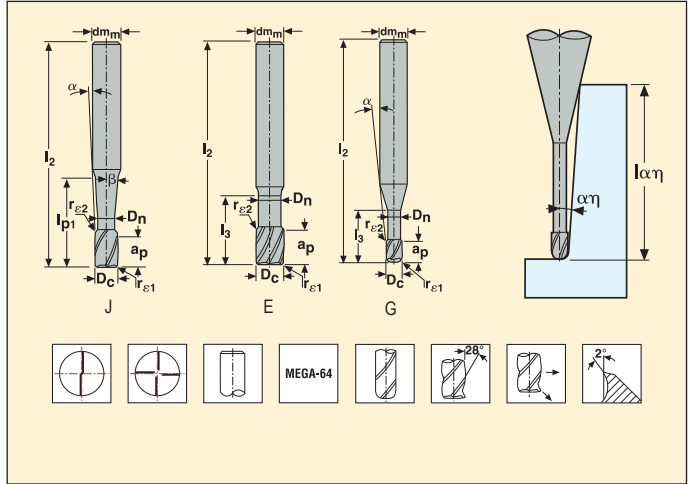
$dm_m = h5$

$D_c = \varnothing 2-6 = -0,005/-0,015 \text{ mm.}, \varnothing 8-10 = -0,005/-0,02 \text{ mm.}$

$\varnothing 12-16 = -0,005/-0,025 \text{ mm.}$

$r_{e1} = +/0,01 \text{ mm}$

$\beta = 0,9$



Part No.	Length index	Tool shape	Dimensions in mm											Max. cut depth rel. to α_n (l_{α_n} , ref)*					
			D_c	dm_m	a_p	l_2	l_3	l_{p1}	D_n	r_{e1}	r_{e2}	α°	z_n	0°	0.5°	1°	1.5°	2°	3°
141V020R030Z2-MEGA-64	2	G	2	4	2	40	4	4	1,9	0,3	2	7,5	2	4	4,6	4,7	4,9	5,1	5,5
141V020R050Z2-MEGA-64	2	G	2	4	2	40	4	4	1,9	0,5	2	7,5	2	4	4,6	4,7	4,9	5	5,4
141V030R050Z2-MEGA-64	2	G	3	4	3	40	6	6	2,8	0,5	2	4	2	6	7	7,2	7,4	7,7	8,3
141V030R100Z2-MEGA-64	2	G	3	4	3	40	6	6	2,8	1	2	4	2	6	7	7,2	7,4	7,6	8,2
141V040R030Z2-MEGA-64	2	G	4	6	4	50	8	8	3,7	0,3	2	5	2	8	9,4	9,7	10	10,4	11,2
141V040R050Z2-MEGA-64	2	G	4	6	4	50	8	8	3,7	0,5	2	5	2	8	9,4	9,7	10	10,4	11,2
141V040R100Z2-MEGA-64	2	G	4	6	4	50	8	8	3,7	1	2	5	2	8	9,4	9,7	10	10,3	11,1
141V060R050Z4-MEGA-64	2	E	6	6	6	50	12	12	5,6	0,5	2	-	4	12	∞	∞	∞	∞	∞
141V060R100Z4-MEGA-64	2	E	6	6	6	50	12	12	5,6	1	2	-	4	12	∞	∞	∞	∞	∞
141V060R150Z4-MEGA-64	2	E	6	6	6	50	12	12	5,6	1,5	2	-	4	12	∞	∞	∞	∞	∞
141V060R200Z4-MEGA-64	2	E	6	6	6	50	12	12	5,6	2	2	-	4	12	∞	∞	∞	∞	∞
141V080R050Z4-MEGA-64	2	E	8	8	8	60	16	16	7,4	0,5	2	-	4	16	∞	∞	∞	∞	∞
141V080R100Z4-MEGA-64	2	E	8	8	8	60	16	16	7,4	1	2	-	4	16	∞	∞	∞	∞	∞
141V080R150Z4-MEGA-64	2	E	8	8	8	60	16	16	7,4	1,5	2	-	4	16	∞	∞	∞	∞	∞
141V080R200Z4-MEGA-64	2	E	8	8	8	60	16	16	7,4	2	2	-	4	∞	∞	∞	∞	∞	∞
141V080R300Z4-MEGA-64	2	E	8	8	8	60	16	16	7,4	3	2	-	4	∞	∞	∞	∞	∞	∞
141V100R050Z4-MEGA-64	2	E	10	10	10	70	20	20	9,4	0,5	2	-	4	20	∞	∞	∞	∞	∞
141V100R100Z4-MEGA-64	2	E	10	10	10	70	20	20	9,4	1	2	-	4	20	∞	∞	∞	∞	∞
141V100R200Z4-MEGA-64	2	E	10	10	10	70	20	20	9,4	2	2	-	4	20	∞	∞	∞	∞	∞
141V100R250Z4-MEGA-64	2	E	10	10	10	70	20	20	9,4	2,5	2	-	4	20	∞	∞	∞	∞	∞
141V120R100Z4-MEGA-64	2	E	12	12	12	75	24	24	11,4	1	3	-	4	24	∞	∞	∞	∞	∞
141V120R200Z4-MEGA-64	2	E	12	12	12	75	24	24	11,4	2	3	-	4	24	∞	∞	∞	∞	∞
141V120R300Z4-MEGA-64	2	E	12	12	12	75	24	24	11,4	3	3	-	4	24	∞	∞	∞	∞	∞
141V160R400Z4-MEGA-64	2	E	16	16	16	90	32	32	15,4	4	4	-	4	32	∞	∞	∞	∞	∞
141VL020R030TNZ2-MEGA-64	3	J	2	6	2	50	-	10	1,9	0,3	2	7	2	5,6	10,3	10,7	11	11,4	12,3
141VL020R050TNZ2-MEGA-64	3	J	2	6	2	50	-	10	1,9	0,5	2	7	2	5,6	10,3	10,6	11	11,4	12,3
141VL030R050TNZ2-MEGA-64	3	J	3	6	3	60	-	15	2,8	0,5	2	4,5	2	9,9	15,5	16,1	16,6	17,2	18,6
141VL030R100TNZ2-MEGA-64	3	J	3	6	3	60	-	15	2,8	1	2	4,5	2	9,9	15,5	16	16,6	17,2	18,5
141VL040R030TNZ2-MEGA-64	3	J	4	6	4	60	-	20	3,7	0,3	2	2,5	2	14,3	20,8	21,5	22,3	23,1	∞
141VL040R050TNZ2-MEGA-64	3	J	4	6	4	60	-	20	3,7	0,5	2	2,5	2	14,3	20,8	21,5	22,3	23,1	∞
141VL040R100TNZ2-MEGA-64	3	J	4	6	4	60	-	20	3,7	1	2	3	2	14,3	20,8	21,5	22,2	23	∞
141VL060R050TNZ4-MEGA-64	3	J	6	8	6	75	-	30	5,6	0,5	2	1,8	4	18,8	30,9	32	33	∞	∞
141VL060R100TNZ4-MEGA-64	3	J	6	8	6	75	-	30	5,6	1	2	2	4	19,6	31,1	32,1	33,2	∞	∞
141VL060R150TNZ4-MEGA-64	3	J	6	8	6	75	-	30	5,6	1,5	2	2	4	19,6	31,1	32,1	33,2	∞	∞
141VL060R200TNZ4-MEGA-64	3	J	6	8	6	75	-	30	5,6	2	2	2	4	19,6	31	32	33,1	∞	∞
141VL080R050TNZ4-MEGA-64	3	J	8	10	8	85	-	40	7,4	0,5	2	1,4	4	27,3	41,4	42,8	∞	∞	∞
141VL080R100TNZ4-MEGA-64	3	J	8	10	8	85	-	40	7,4	1	2	1,5	4	41,6	43	∞	∞	∞	∞

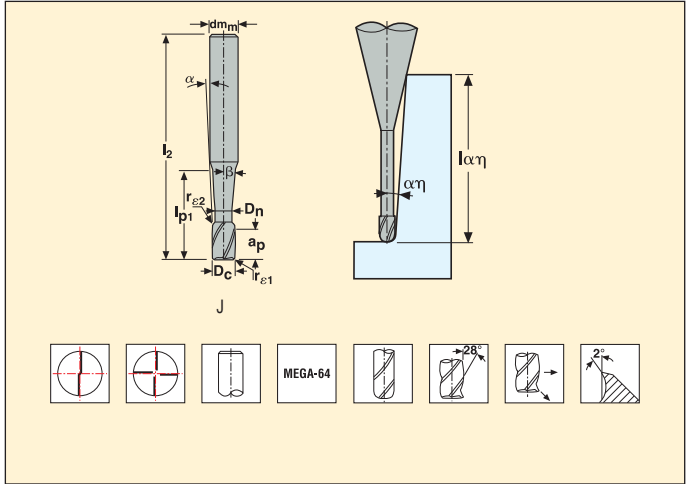
* The effective under-neck length for the various draft angles. Remark ∞ = infinity, no collision in projection length area.

JH141 – Solid carbide end mill – corner radius – cylindrical



Tolerances:

$dm_m = h5$
 $D_c = \varnothing 2-6 = -0,005/-0,015$ mm., $\varnothing 8-10 = -0,005/-0,02$ mm,
 $\varnothing 12-16 = -0,005/-0,025$ mm
 $r_{e1} = +/-0,01$ mm
 $\beta = 0,9$



Part No.	Length index	Tool shape	Dimensions in mm											Max. cut depth rel. to α_η (α_η , ref)*					
			D_c	dm_m	a_p	l_2	l_{p1}	D_n	r_{e1}	r_{e2}	α_1°	z_n	0°	0.5°	1°	1.5°	2°	3°	
141VL080R150TNZ4-MEGA-64	3	J	8	10	8	85	40	7,4	1,5	2	1,5	4			∞	∞	∞	∞	
141VL080R200TNZ4-MEGA-64	3	J	8	10	8	85	40	7,4	2	2	1,5	4	41,5	42,9	∞	∞	∞	∞	
141VL100R050TNZ4-MEGA-64	3	J	10	12	10	100	50	9,4	0,5	2	1,1	4	29,1	51,6	53,2	∞	∞	∞	
141VL100R100TNZ4-MEGA-64	3	J	10	12	10	100	50	9,4	1	2	1,5	4	30,1	51,7	53,4	∞	∞	∞	
141VL100R200TNZ4-MEGA-64	3	J	10	12	10	100	50	9,4	2	2	1,5	4	30,1	51,6	53,3	∞	∞	∞	
141VXL020R030TNZ2-MEGA-64	4	J	2	6	2	60	20	1,9	0,3	2	4,5	2	5,6	12,3	20,7	21,5	22,3	24	
141VXL020R050TNZ2-MEGA-64	4	J	2	6	2	60	20	1,9	0,5	2	4,5	2	5,6	12	20,7	21,4	22,2	24	
141VXL030R050TNZ2-MEGA-64	4	J	3	6	3	75	30	2,8	0,5	2	3	2	9,9	21,9	31,2	32,3	33,5	∞	
141VXL030R100TNZ2-MEGA-64	4	J	3	6	3	75	30	2,8	1	2	3	2	9,9	21,2	31,1	32,2	33,4	∞	
141VXL040R030TNZ2-MEGA-64	4	J	4	6	4	80	40	3,7	0,3	2	1,5	2	14,3	31,8	41,7	∞	∞	∞	
141VXL040R050TNZ2-MEGA-64	4	J	4	6	4	80	40	3,7	0,5	2	1,5	2	14,3	31,6	41,6	∞	∞	∞	
141VXL040R100TNZ2-MEGA-64	4	J	4	6	4	80	40	3,7	1	2	1,5	2	14,3	30,9	41,6	∞	∞	∞	
141VXL060R050TNZ4-MEGA-64	4	J	6	8	6	100	60	5,6	0,5	2	1,0	4	18,8	41,6	∞	∞	∞	∞	
141VXL060R100TNZ4-MEGA-64	4	J	6	8	6	100	60	5,6	1	2	1	4	19,6	42,9	62,3	∞	∞	∞	
141VXL060R150TNZ4-MEGA-64	4	J	6	8	6	100	60	5,6	1,5	2	1	4	19,6	42,2	∞	∞	∞	∞	
141VXL060R200TNZ4-MEGA-64	4	J	6	8	6	100	60	5,6	2	2	1	4	19,6	41,6	∞	∞	∞	∞	
141VXL080R050TNZ4-MEGA-64	4	J	8	10	8	125	80	7,4	0,5	2	0,8	4	27,3	60,9	∞	∞	∞	∞	
141VXL080R100TNZ4-MEGA-64	4	J	8	10	8	125	80	7,4	1	2	1	4	41,5	42,8	∞	∞	∞	∞	
141VXL100R050TNZ4-MEGA-64	4	J	10	16	10	150	100	9,4	0,5	2	0,6	4	29,1	65	∞	∞	∞	∞	
141VXL100R100TNZ4-MEGA-64	4	J	10	16	10	150	100	9,4	1	2	2	4	30,1	66,6	103,8	107,5	∞	∞	
141VXL060R050TNZ2-MEGA-64	5	J	6	10	6	130	90	5,6	0,5	2	1,3	2	18,8	41,6	92,1	∞	∞	∞	
141VXL080R050TNZ2-MEGA-64	5	J	8	12	8	165	120	7,4	0,5	2	1,0	2	27,3	60,9	∞	∞	∞	∞	
141VXL100R050TNZ2-MEGA-64	5	J	10	16	10	200	150	9,4	0,5	2	1,2	2	29,1	65	154	∞	∞	∞	

* The effective under -neck length for the various draft angles. Remark ∞ = infinity, no collision in projection length area.

Cutting data – JH141 Copy milling roughing $z_n=3, a_e/D_c = 0,05$

SMG		a_p / D_c	f_z								v_c
			2	3	4	6	8	10	12	16	
P1	M/E	0,050	0,018	0,028	0,036	0,055	0,075	0,090	0,11	0,13	510 (465 – 550)
P2	M/E	0,050	0,019	0,028	0,038	0,055	0,075	0,095	0,11	0,14	495 (450 – 530)
P3	M/E	0,050	0,018	0,026	0,036	0,055	0,070	0,090	0,10	0,13	425 (390 – 465)
P4	M/E	0,050	0,017	0,026	0,034	0,050	0,070	0,085	0,10	0,13	380 (345 – 410)
P5	M/E	0,050	0,017	0,026	0,034	0,050	0,065	0,085	0,10	0,12	360 (330 – 390)
P6	M/E	0,050	0,017	0,026	0,034	0,050	0,065	0,085	0,10	0,12	405 (370 – 440)
P7	M/E	0,050	0,017	0,026	0,034	0,050	0,065	0,085	0,10	0,12	385 (350 – 415)
P8	M/E	0,050	0,018	0,026	0,036	0,055	0,070	0,090	0,10	0,13	360 (330 – 390)
P11	M/E	0,050	0,017	0,026	0,034	0,050	0,065	0,085	0,10	0,12	370 (340 – 405)
K1	A/E	0,050	0,019	0,028	0,038	0,055	0,075	0,095	0,11	0,14	355 (325 – 385)
K2	A/E	0,050	0,017	0,026	0,034	0,050	0,065	0,085	0,10	0,12	315 (285 – 340)
K3	A/E	0,050	0,017	0,026	0,034	0,050	0,065	0,085	0,10	0,12	265 (245 – 285)
K4	A/E	0,050	0,017	0,026	0,034	0,050	0,065	0,085	0,10	0,12	255 (230 – 275)
K5	A/E	0,050	0,015	0,022	0,030	0,046	0,060	0,075	0,090	0,11	155 (140 – 165)
K6	A/E	0,050	0,017	0,026	0,034	0,050	0,065	0,085	0,10	0,12	225 (205 – 240)
K7	A/E	0,050	0,015	0,022	0,030	0,046	0,060	0,075	0,090	0,11	195 (180 – 210)

Cutting data – JH141 Copy milling roughing $z_n=5, a_e/D_c = 0,03$

SMG		a_p / D_c	f_z								v_c
			2	3	4	6	8	10	12	16	
H3	M/A	0,030	0,013	0,019	0,026	0,038	0,050	0,065	0,075	0,095	200 (185 – 215)
H5	M/A	0,030	0,013	0,019	0,026	0,038	0,050	0,065	0,075	0,095	370 (340 – 400)
H7	M/A	0,030	0,013	0,019	0,026	0,038	0,050	0,065	0,075	0,095	200 (185 – 215)
H8	M/A	0,030	0,015	0,022	0,030	0,044	0,060	0,075	0,085	0,11	370 (335 – 400)
H21	M/A	0,030	0,015	0,022	0,030	0,044	0,060	0,075	0,085	0,11	370 (335 – 400)
H31	M/A	0,030	0,013	0,019	0,026	0,038	0,050	0,065	0,075	0,095	280 (255 – 305)

SMG = Seco material group

Coolant = A=air D=dry E=emulsion M=mist spray

v_c = m/min

f_z = mm

a_p (mm)/ D_c (mm)= factor

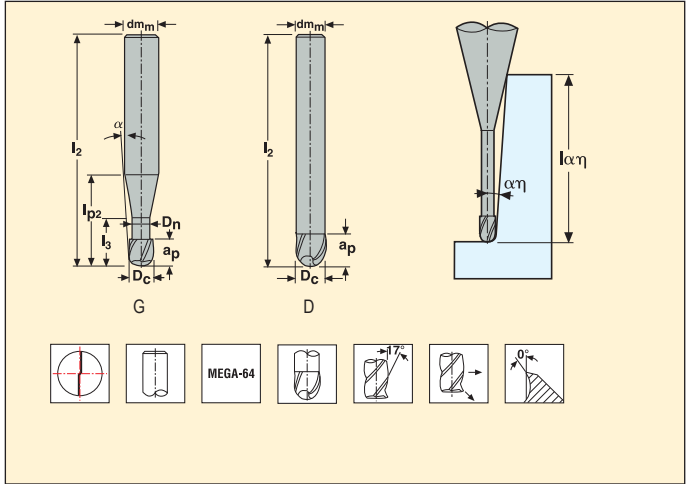
a_e (mm)/ D_c (mm)= factor

All cutting data are target values

JH111 – Solid carbide end mill – ball nose – cylindrical – two flute



Tolerances:
 $dm_m = h_5$
 $D_c = -0,02/-0,04$ mm
 Radius = $\pm 0,01$ mm



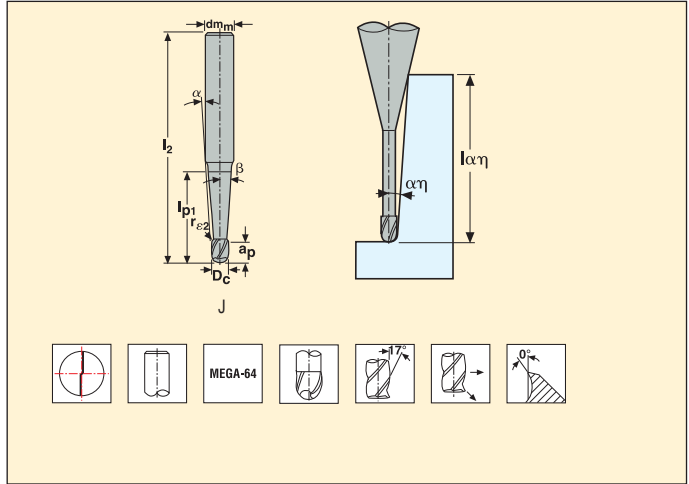
Part No.	Length index	Tool shape	Dimensions in mm								α°	z_n	Max. cut depth rel. to $\alpha \eta$ ($\alpha \eta$, ref)*					
			D_c	dm_m	a_p	l_2	l_3	l_{p2}	D_n	0°			$0,5^\circ$	1°	$1,5^\circ$	2°	3°	
111K020-MEGA-64	1	G	2	4	2	40	4	10	1,9	6,5	2	4	4,4	4,6	4,8	5	5,6	
111K030-MEGA-64	1	G	3	4	3	40	6	9,9	2,9	3,5	2	6	6,6	7	7,5	8	9,3	
111K040-MEGA-64	1	D	4	4	4	40	-	-	-	-	2	4	∞	∞	∞	∞	∞	
111K050-MEGA-64	1	G	5	6	5	50	10	18	4,6	2	2	10	13,3	14,7	16,4	∞	∞	
111K060-MEGA-64	1	D	6	6	6	50	-	-	-	-	2	6	∞	∞	∞	∞	∞	
111K080-MEGA-64	1	D	8	8	8	65	-	-	-	-	2	∞	∞	∞	∞	∞	∞	
111K100-MEGA-64	1	D	10	10	10	65	-	-	-	-	2	10	∞	∞	∞	∞	∞	
111021-MEGA-64	2	G	2	3	2	50	10	12	1,9	3	2	10	10,4	10,8	11,1	11,5	12,4	
111031-MEGA-64	2	D	3	3	3	50	-	-	-	-	2	3	∞	∞	∞	∞	∞	
111041-MEGA-64	2	D	4	4	4	60	-	-	-	-	2	4	∞	∞	∞	∞	∞	
111051-MEGA-64	2	D	5	5	5	60	-	-	-	-	2	5	∞	∞	∞	∞	∞	
111061-MEGA-64	2	D	6	6	6	75	-	-	-	-	2	6	∞	∞	∞	∞	∞	
111020-MEGA-64	3	G	2	6	2	60	4	16	1,9	8	2	4	4,4	4,6	4,8	5	5,6	
111025-MEGA-64	3	G	2,5	6	2,5	60	5	15,2	2,4	7,5	2	5	5,4	5,7	5,9	6,2	7	
111030-MEGA-64	3	G	3	6	3	60	6	18,1	2,8	5,5	2	6	7,1	7,5	8	8,6	10,2	
111035-MEGA-64	3	G	3,5	6	3,5	65	7	23	3,2	3,5	2	7	9,4	10,4	11,6	13,3	19,1	
111040-MEGA-64	3	G	4	6	4	65	8	21,1	3,7	3	2	8	10,5	11,6	13	14,8	21,3	
111050-MEGA-64	3	G	5	6	5	65	10	18	4,6	2	2	10	13,3	14,7	16,4	∞	∞	
111060-MEGA-64	3	G	6	8	6	75	12	25,7	5,6	3	2	12	15,5	17,1	19,1	21,8	∞	
111080-MEGA-64	3	G	8	8	8	75	-	-	-	-	2	8	∞	∞	∞	∞	∞	
111100-MEGA-64	3	D	10	10	10	80	-	-	-	-	2	10	∞	∞	∞	∞	∞	
111120-MEGA-64	3	D	12	12	12	90	-	-	-	-	2	12	∞	∞	∞	∞	∞	
111160-MEGA-64	3	D	16	16	16	100	-	-	-	-	2	16	∞	∞	∞	∞	∞	
111L020-MEGA-64	4	G	2	6	2	80	4	15,6	1,9	8	2	4	4,4	4,6	4,8	5	5,6	
111L030-MEGA-64	4	G	3	6	3	80	6	18,1	2,8	5,5	2	6	7,1	7,5	8	8,6	10,2	
111L040-MEGA-64	4	G	4	6	4	80	8	21,1	3,7	3	2	8	10,5	11,6	13	14,8	21,3	
111L050-MEGA-64	4	G	5	6	5	100	10	18	4,6	2	2	10	13,3	14,7	16,4	∞	∞	
111L060-MEGA-64	4	G	6	8	6	100	12	25,7	5,6	3	2	12	15,5	17,1	19,1	21,8	∞	
111L080-MEGA-64	4	D	8	8	8	110	-	-	-	-	2	8	∞	∞	∞	∞	∞	
111L100-MEGA-64	4	G	10	10	10	125	-	-	-	-	2	10	∞	∞	∞	∞	∞	
111L120-MEGA-64	4	D	12	12	12	125	-	-	-	-	2	12	∞	∞	∞	∞	∞	
111L160-MEGA-64	4	G	16	16	16	150	-	-	-	-	2	16	∞	∞	∞	∞	∞	

* The effective under -neck length for the various draft angles. Remark ∞ = infinity, no collision in projection length area.

JH111 - Solid carbide end mill - ball nose - cylindrical - two flute



Tolerances:
 $dm_m = h5$
 $D_c = 0,02/ -0,04 \text{ mm}$
 Radius = $\pm 0,01 \text{ mm}$



Part No.	Length index	Tool shape	Dimensions in mm										Max. cut depth rel. to $\alpha \eta$ ($l_{\alpha \eta}$, ref)*					
			D_c	dm_m	a_p	l_2	l_3	l_{p1}	D_n	α°	z_n	0°	0.5°	1°	1.5°	2°	3°	
111VL020-MEGA-64	4	J	2	6	2	80	35	37,2	1,9	3,5	2	3,1	3,7	4,6	6,5	12,4	∞	
111VL030-MEGA-64	4	J	3	6	3	80	40	40,1	2,8	2,5	2	5,3	6,2	7,9	11,2	21,8	∞	
111VL040-MEGA-64	4	J	4	6	4	80	50	48,9	3,7	1,5	2	9,8	13,9	26,7	∞	∞	∞	
111VL050-MEGA-64	4	J	5	8	5	100	55	56,8	4,6	2	2	12,8	18,1	34,9	∞	∞	∞	
111VL060-MEGA-64	4	J	6	8	6	100	55	52,8	5,6	1,5	2	13,8	19,4	37	∞	∞	∞	
111VL080-MEGA-64	4	J	8	10	8	125	60	58,7	7,4	1,5	2	19,7	27,8	∞	∞	∞	∞	
111VL100-MEGA-64	4	J	10	12	8	125	60	58,7	9,4	1,5	2	19,7	27,3	∞	∞	∞	∞	
111VL120-MEGA-64	4	J	12	16	10	125	70	72,5	11,4	2	2	21,7	29,8	55,4	∞	∞	∞	
111VXL060-MEGA-64	5	J	6	10	6	125	60	62,6	5,6	2	2	13,8	19,4	37	∞	∞	∞	
111VXL080-MEGA-64	5	J	8	12	8	150	65	67,6	7,4	2	2	19,7	27,8	∞	∞	∞	∞	
111VXL100-MEGA-64	5	J	10	12	8	150	80	80	9,4	1,5	2	19,7	27,3	∞	∞	∞	∞	
111VXL120-MEGA-64	5	J	12	16	10	175	100	99,8	11,4	1,5	2	21,7	29,8	55,4	∞	∞	∞	
111VXL160-MEGA-64	5	J	16	20	12	200	100	101,8	15,4	1,5	2	23,7	31,8	57,5	∞	∞	∞	

* The effective under-neck length for the various draft angles. Remark ∞ = infinity, no collision in projection length area.

Cutting data – JH111 Copy milling roughing $a_p/D_c = 0,2$

SMG		a_p / D_c	f_z											v_c
			2	2.5	3	3.5	4	5	6	8	10	12	16	
K4	E	0,30	0,024	0,030	0,036	0,044	0,055	0,070	0,095	0,12	0,16	0,18	0,22	215 (175 – 260)
K5	E	0,30	0,020	0,026	0,034	0,040	0,048	0,065	0,085	0,11	0,14	0,17	0,20	130 (105 – 160)
K6	E	0,30	0,024	0,030	0,036	0,044	0,055	0,070	0,095	0,12	0,16	0,18	0,22	190 (150 – 230)
K7	E	0,30	0,020	0,026	0,034	0,040	0,048	0,065	0,085	0,11	0,14	0,17	0,20	170 (135 – 205)
H3	M	0,20	0,024	0,032	0,042	0,050	0,060	0,080	0,095	0,12	0,16	0,18	0,22	125 (100 – 145)
H7	M	0,17	0,026	0,034	0,044	0,055	0,060	0,080	0,095	0,12	0,16	0,18	0,22	125 (105 – 145)

Cutting data – JH111 Copy milling roughing $a_p/D_c = 0,3$

SMG		a_p / D_c	f_z											v_c
			2	2.5	3	3.5	4	5	6	8	10	12	16	
K1	E	0,30	0,020	0,026	0,032	0,038	0,046	0,060	0,080	0,11	0,13	0,16	0,20	295 (235 – 350)
K2	E	0,30	0,018	0,024	0,030	0,036	0,042	0,055	0,075	0,10	0,12	0,14	0,18	260 (205 – 310)
K3	E	0,30	0,018	0,024	0,030	0,036	0,042	0,055	0,075	0,10	0,12	0,14	0,18	220 (175 – 260)
H5	M	0,20	0,030	0,040	0,050	0,065	0,080	0,10	0,12	0,16	0,20	0,24	0,28	200 (165 – 235)
H8	M	0,20	0,036	0,048	0,060	0,075	0,090	0,11	0,14	0,18	0,22	0,26	0,34	195 (160 – 230)
H21	M	0,20	0,036	0,048	0,060	0,075	0,090	0,11	0,14	0,18	0,22	0,26	0,34	195 (160 – 230)
H31	M	0,20	0,030	0,040	0,050	0,065	0,080	0,10	0,12	0,16	0,20	0,24	0,28	150 (125 – 175)

SMG = Seco material group

Coolant = A=air D=dry E=emulsion M=mist spray

v_c = m/min

f_z = mm

a_p (mm)/ D_c (mm)= factor

a_e (mm)/ D_c (mm)= factor

All cutting data are target values

Cutting data – JH150 Copy milling roughing $a_e/D_c = 0,1$

SMG		a_p / D_c	f_z				v_c
			6	8	10	12	
K5	A	0,15	0,090	0,12	0,15	0,17	120 (85 — 135)
K6	A	0,15	0,090	0,12	0,15	0,18	180 (125 — 200)
K7	A	0,15	0,090	0,12	0,15	0,17	155 (110 — 170)
H3	M	0,030	0,065	0,085	0,11	0,13	110 (95 — 125)
H5	M	0,060	0,090	0,12	0,15	0,18	210 (185 — 235)
H7	M	0,026	0,065	0,085	0,11	0,13	110 (95 — 120)
H8	M	0,060	0,090	0,12	0,15	0,18	210 (185 — 235)
H11	M	0,060	0,090	0,12	0,15	0,18	270 (235 — 300)
H12	M	0,060	0,090	0,12	0,15	0,18	435 (380 — 485)
H21	M	0,060	0,090	0,12	0,15	0,18	210 (185 — 235)
H31	M	0,060	0,090	0,12	0,15	0,18	160 (140 — 175)

Cutting data – JH150 Copy milling roughing $a_e/D_c = 0,3$

SMG		a_p / D_c	f_z				v_c
			6	8	10	12	
K1	A	0,15	0,080	0,11	0,13	0,16	240 (165 — 265)
K2	A	0,15	0,075	0,095	0,12	0,14	210 (145 — 230)
K3	A	0,15	0,075	0,095	0,12	0,14	175 (125 — 195)

SMG = Seco material group

Coolant = A=air D=dry E=emulsion M=mist spray

v_c = m/min

f_z = mm

a_p (mm)/ D_c (mm)= factor

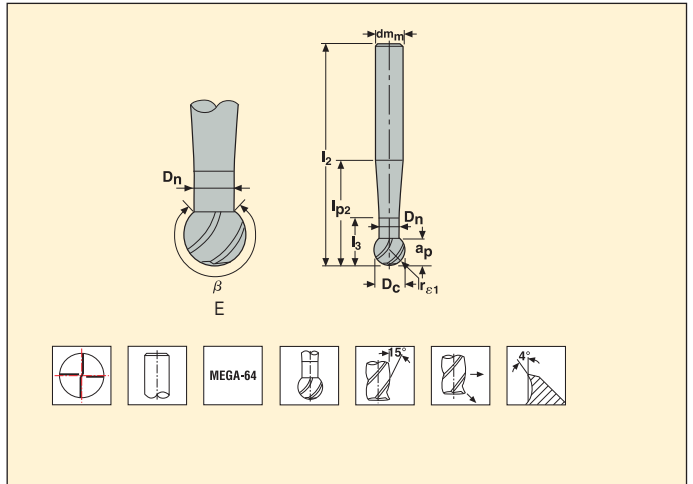
a_e (mm)/ D_c (mm)= factor

All cutting data are target values

JH160 – Solid carbide end mill – ball sphere 250° – cylindrical – four flute



Tolerances:
 $dm_m = h5$
 $D_c = 0,02 / -0,06 \text{ mm}$



Part No.	Length index	Tool shape	Dimensions in mm							ϵ_1	$r_{\epsilon 1}$	β	z_n
			D_c	dm_m	a_p	l_2	l_3	l_{p2}	D_n				
160040-MEGA-64	2	E	4	4	3,1	60	5,6	11	2,4	0,36	2	250	4
160050-MEGA-64	2	E	5	5	3,9	70	6,4	13	3	0,45	2,5	250	4
160060-MEGA-64	2	E	6	6	4,7	80	9,7	17,3	3,6	0,54	3	250	4
160080-MEGA-64	2	E	8	8	6,2	85	11,2	21,3	4,8	0,72	4	250	4
160100-MEGA-64	2	E	10	10	7,8	100	15,6	27,9	6	0,9	5	250	4
160120-MEGA-64	2	E	12	12	9,4	125	17,2	31,8	7,2	1,08	6	250	4

Cutting data – JH160 Copy milling finishing $a_p/D_c = 0,1$

SMG		a_p / D_c	f_z							v_c
			3	4	5	6	8	10	12	
P1	M/E/A	0,048	0,044	0,060	0,075	0,090	0,12	0,15	0,18	940 (880 — 1000)
P2	M/E/A	0,048	0,044	0,060	0,075	0,090	0,12	0,15	0,18	920 (860 — 980)
P3	M/E/A	0,048	0,044	0,060	0,075	0,090	0,12	0,15	0,18	790 (740 — 840)
P4	M/E/A	0,048	0,044	0,060	0,075	0,090	0,12	0,15	0,18	700 (650 — 740)
P5	M/E/A	0,048	0,044	0,060	0,075	0,090	0,12	0,15	0,18	660 (620 — 710)
P6	M/E/A	0,048	0,044	0,060	0,075	0,090	0,12	0,15	0,18	750 (700 — 790)
P7	M/E/A	0,048	0,044	0,060	0,075	0,090	0,12	0,15	0,18	700 (660 — 750)
P8	M/E/A	0,048	0,044	0,060	0,075	0,090	0,12	0,15	0,18	660 (620 — 710)
P11	M/E/A	0,048	0,044	0,060	0,075	0,090	0,12	0,15	0,18	680 (640 — 730)
H3	M/E/A	0,032	0,044	0,060	0,075	0,090	0,12	0,15	0,18	255 (235 — 275)
H5	M/E/A	0,60	0,028	0,040	0,050	0,060	0,090	0,13	0,16	510 (475 — 550)
H7	M/E/A	0,032	0,044	0,060	0,075	0,090	0,12	0,15	0,18	255 (235 — 275)
H8	M/E/A	0,032	0,044	0,060	0,075	0,090	0,12	0,15	0,18	470 (435 — 500)
H21	M/E/A	0,032	0,044	0,060	0,075	0,090	0,12	0,15	0,18	470 (435 — 500)
H31	M/E/A	0,032	0,044	0,060	0,075	0,090	0,12	0,15	0,18	355 (330 — 380)

SMG = Seco material group

Coolant = A=air D=dry E=emulsion M=mist spray

v_c = m/min

f_z = mm

a_p (mm)/ D_c (mm) = factor

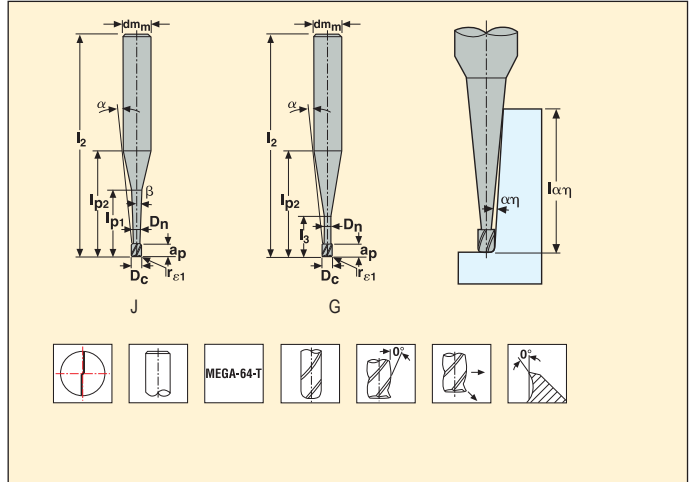
a_e (mm)/ D_c (mm) = factor

All cutting data are target values

JM103/JM106 – Solid carbide end mill – corner radius – two flute



Tolerances:
 Runout < 0,005 mm
 $dm_m = h5$
 $D_c < 0,6 = -0,005 / -0,013$, $D_c \geq 0,6 = -0,005 / -0,015$ mm
 $r_{e1} = + / - 0,01$ mm



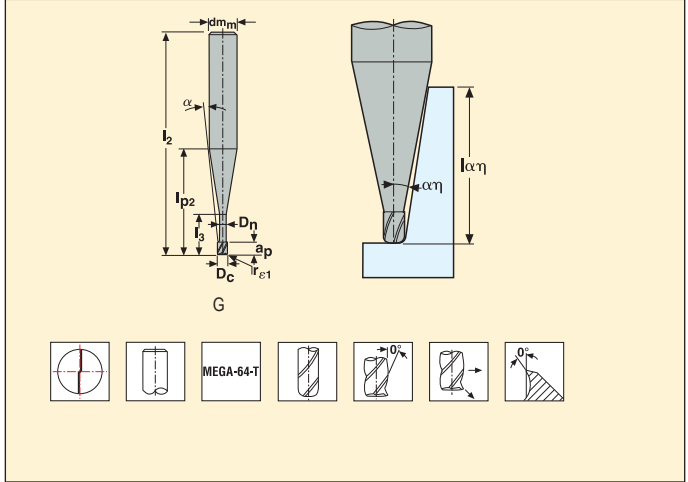
Part No.	Length index	Tool shape	Dimensions in mm										Max. cut depth rel. to $\alpha\eta$ ($\alpha\eta$, ref)*						
			D_c	dm_m	a_p	l_2	l_3	l_{p2}	D_n	r_{e1}	z_n	α°	β	0°	0.5°	1°	1.5°	2°	3°
103ML002R002TN-MEGA-64-T	2	J	0,2	3	0,1	40	-	6,2	0,18	0,02	2	13	0,9	0,6	0,6	0,6	0,6	0,6	0,7
103ML003R003TN-MEGA-64-T	2	J	0,3	3	0,15	40	-	6,3	0,28	0,03	2	12,5	0,9	0,7	0,9	0,9	0,9	1	1,1
103ML004R004TN-MEGA-64-T	2	J	0,4	3	0,2	40	-	6,4	0,37	0,04	2	12	0,9	1,1	1,2	1,2	1,3	1,3	1,4
103ML005R005TN-MEGA-64-T	2	J	0,5	3	0,25	40	-	6,6	0,45	0,05	2	11	0,9	1,5	1,5	1,6	1,6	1,7	1,8
103ML005R010TN-MEGA-64-T	2	J	0,5	3	0,25	40	-	6,6	0,45	0,1	2	11	0,9	1,5	1,5	1,6	1,6	1,7	1,8
103ML006R005TN-MEGA-64-T	2	J	0,6	3	0,3	40	-	6,9	0,55	0,05	2	10,5	0,9	1,8	2	2,1	2,2	2,2	2,4
103ML008R005TN-MEGA-64-T	2	J	0,8	3	0,4	40	-	7	0,75	0,05	2	9,5	0,9	1,9	2,5	2,6	2,7	2,8	3
103ML010R005TN-MEGA-64-T	2	J	1	3	0,5	40	-	8	0,95	0,05	2	7,5	0,9	2	4	4,1	4,3	4,4	4,8
103ML010R010TN-MEGA-64-T	2	J	1	3	0,5	40	-	8	0,95	0,1	2	7,5	0,9	2	4	4,1	4,2	4,4	4,8
103ML010R020TN-MEGA-64-T	2	J	1	3	0,5	40	-	8	0,95	0,2	2	7,5	0,9	2	4	4,1	4,2	4,4	4,7
106ML012R010TN-MEGA-64-T	2	J	1,2	6	0,6	50	-	13,7	1,15	0,1	2	10,5	0,9	2,1	4,8	4,6	4,8	5	5,4
106ML015R010TN-MEGA-64-T	2	J	1,5	6	0,75	50	-	13,7	1,4	0,1	2	9,5	0,9	3,9	5,1	5,2	5,4	5,6	6,1
106ML015R020TN-MEGA-64-T	2	J	1,5	6	0,75	50	-	13,7	1,4	0,2	2	9,5	0,9	3,9	5	5,2	5,4	5,6	6
106ML020R010TN-MEGA-64-T	2	J	2	6	1	50	-	13,8	1,9	0,1	2	8,5	0,9	4,1	6	6,2	6,5	6,7	7,3
106ML020R020TN-MEGA-64-T	2	J	2	6	1	50	-	13,8	1,9	0,2	2	8,5	0,9	4,1	6	6,2	6,5	6,7	7,2
106ML020R030TN-MEGA-64-T	2	J	2	6	1	50	-	13,8	1,9	0,3	2	8,5	0,9	4,1	6	6,2	6,4	6,7	7,2
103L005R005-MEGA-64-T	3	G	0,5	3	0,25	40	-	7,7	0,45	0,05	2	9,5	-	2,5	2,6	2,7	2,8	2,9	3,2
103L005R010-MEGA-64-T	3	G	0,5	3	0,25	40	2,5	7,7	0,45	0,1	2	9,5	-	2,5	2,6	2,7	2,8	2,9	3,2
103L006R005-MEGA-64-T	3	G	0,6	3	0,3	40	-	8	0,55	0,05	2	9	-	3	3,1	3,3	3,4	3,5	3,8
103L008R005-MEGA-64-T	3	G	0,8	3	0,4	40	-	8,6	0,75	0,05	2	7,5	-	4	4,2	4,3	4,5	4,6	5
103L010R005-MEGA-64-T	3	G	1	3	0,5	40	-	9,3	0,95	0,05	2	6,5	-	5	5,2	5,4	5,6	5,8	6,3
103L010R010TN-MEGA-64-T	3	J	1	3	0,5	40	-	9	0,95	0,1	2		0,9	∞	∞	∞	∞	∞	∞
103L010R010-MEGA-64-T	3	G	1	3	0,5	40	5	9,3	0,95	0,1	2	6,5	-	5	5,2	5,4	5,6	5,8	6,3
103L010R020-MEGA-64-T	3	G	1	3	0,5	40	5	9,3	0,95	0,2	2	6,5	-	5	5,2	5,4	5,6	5,8	6,2
106L012R010TN-MEGA-64-T	3	G	1,2	6	0,6	50	-	15,1	1,15	0,1	2		0,9	∞	∞	∞	∞	∞	∞
106L012R010-MEGA-64-T	3	G	1,2	6	0,6	50	6	15,5	1,15	0,1	2	9	-	6	6,2	6,5	6,7	6,9	7,5
106L015R010TN-MEGA-64-T	3	G	1,5	6	0,75	50	-	16,1	1,4	0,1	2		0,9	∞	∞	∞	∞	∞	∞
106L015R010-MEGA-64-T	3	G	1,5	6	0,75	50	7,5	16,5	1,4	0,1	2	8	-	7,6	7,9	8,2	8,5	8,8	9,5
106L015R020-MEGA-64-T	3	G	1,5	6	0,75	50	7,5	16,5	1,4	0,2	2	8	-	7,6	7,9	8,2	8,4	8,8	9,5
106L020R010TN-MEGA-64-T	3	G	2	6	1	50	-	17,5	1,9	0,1	2		0,9	∞	∞	∞	∞	∞	∞
106L020R010-MEGA-64-T	3	G	2	6	1	50	10	18,1	1,9	0,1	2	6,5	-	10,1	10,5	10,8	11,2	11,6	12,6
106L020R020-MEGA-64-T	3	G	2	6	1	50	10	18,1	1,9	0,2	2	6,5	-	10,1	10,5	10,8	11,2	11,6	12,6
106L020R030-MEGA-64-T	3	G	2	6	1	50	10	18,1	1,9	0,3	2	6,5	-	10,1	10,5	10,8	11,2	11,6	12,5

* The effective under-neck length for the various draft angles. Remark ∞ = infinity, no collision in projection length area.

JM103/JM106 – Solid carbide end mill – corner radius – two flute



Tolerances:
 Runout < 0,005 mm
 $dm_m = h5$
 $D_c < 0,6 = -0,005/-0,013$, $D_c \geq 0,6 = -0,005/-0,015$ mm
 $r_{c1} = +/-0,01$ mm



Part No.	Length index	Tool shape	Dimensions in mm										Max. cut depth rel. to $\alpha\eta$ ($l_{\alpha\eta}$, ref)*					
			D_c	dm_m	a_p	l_2	l_3	l_{p2}	D_n	r_{c1}	z_n	α°	0°	$0,5^\circ$	1°	$1,5^\circ$	2°	3°
106XL012R010-MEGA-64-T	4	G	1,2	6	0,6	50	10	19,5	1,15	0,1	2	7,5	10	10,4	10,7	11,1	11,5	12,5
106XL015R010-MEGA-64-T	4	G	1,5	6	0,75	60	12	21	1,4	0,1	2	6,5	12,1	12,5	13	13,4	13,9	15,1
106XL015R020-MEGA-64-T	4	G	1,5	6	0,75	60	12	21	1,4	0,2	2	6,5	12,1	12,5	13	13,4	13,9	15,1
106XL020R010-MEGA-64-T	4	G	2	6	1	60	16	24,1	1,9	0,1	2	5	16,1	16,7	17,3	17,9	18,5	20
106XL020R020-MEGA-64-T	4	G	2	6	1	60	16	24,1	1,9	0,2	2	5	16,1	16,7	17,3	17,9	18,5	20
106XL020R030-MEGA-64-T	4	G	2	6	1	60	16	24,1	1,9	0,3	2	5	16,1	16,7	17,2	17,9	18,5	20
103XL005R005-MEGA-64-T	5	G	0,5	3	0,25	40	-	9,2	0,45	0,05	2	8	4	4,2	4,3	4,5	4,6	5
103XL005R010-MEGA-64-T	5	G	0,5	3	0,25	40	4	9,2	0,45	0,1	2	8	4	4,2	4,3	4,5	4,6	5
103XL006R005-MEGA-64-T	5	G	0,6	3	0,3	40	-	10	0,55	0,05	2	7	5	5,2	5,4	5,6	5,8	6,3
103XL008R005-MEGA-64-T	5	G	0,8	3	0,4	40	-	11,6	0,75	0,05	2	5,5	7	7,3	7,5	7,8	8,1	8,8
103XL010R005-MEGA-64-T	5	G	1	3	0,5	40	-	12,8	0,95	0,05	2	5	8,5	8,8	9,1	9,5	9,8	10,6
103XL010R010-MEGA-64-T	5	G	1	3	0,5	40	8,5	12,8	0,95	0,1	2	5	8,5	8,8	9,1	9,5	9,8	10,6
103XL010R020-MEGA-64-T	5	G	1	3	0,5	40	8,5	12,8	0,95	0,2	2	5	8,5	8,8	9,1	9,5	9,8	10,6

* The effective under -neck length for the various draft angles. Remark ∞ = infinity, no collision in projection length area.

Cutting data – JM103/JM106 Slotting

SMG		a_p / D_c	f_z										v_c
			0.2	0.3	0.4	0.5	0.6	0.8	1	1.2	1.5	2	
H3	M	0,010	0,0014	0,0022	0,0028	0,0036	0,0042	0,0055	0,0070	0,0085	0,010	0,012	60 (48 – 70)
H5	M	0,020	0,0028	0,0042	0,0055	0,0070	0,0085	0,011	0,014	0,017	0,020	0,024	110 (90 – 135)
H7	M	0,0085	0,0015	0,0024	0,0030	0,0038	0,0046	0,0060	0,0075	0,0090	0,011	0,013	60 (48 – 70)
H8	M	0,020	0,0032	0,0050	0,0065	0,0080	0,010	0,013	0,016	0,019	0,022	0,028	110 (90 – 130)
H11	M	0,020	0,0028	0,0042	0,0055	0,0070	0,0085	0,011	0,014	0,017	0,020	0,024	145 (120 – 170)
H12	M	0,020	0,0028	0,0042	0,0055	0,0070	0,0085	0,011	0,014	0,017	0,020	0,024	230 (190 – 275)
H21	M	0,020	0,0032	0,0050	0,0065	0,0080	0,010	0,013	0,016	0,019	0,022	0,028	110 (90 – 130)
H31	M	0,020	0,0028	0,0042	0,0055	0,0070	0,0085	0,011	0,014	0,017	0,020	0,024	85 (70 – 100)

Cutting data – JM103/JM106 Side milling $a_e/D_c = 0,02$

SMG		a_p / D_c	f_z										v_c
			0.2	0.3	0.4	0.5	0.6	0.8	1	1.2	1.5	2	
H3	M	0,020	0,0024	0,0065	0,0090	0,011	0,013	0,018	0,022	0,026	0,032	0,044	105 (85 – 125)
H5	M	0,050	0,0044	0,0075	0,010	0,013	0,015	0,020	0,024	0,030	0,036	0,044	205 (170 – 245)
H7	M	0,020	0,0024	0,0065	0,0090	0,011	0,013	0,018	0,022	0,026	0,032	0,044	105 (85 – 125)
H8	M	0,050	0,0044	0,0085	0,012	0,014	0,017	0,024	0,028	0,032	0,040	0,048	205 (170 – 245)
H11	M	0,050	0,0044	0,0075	0,010	0,013	0,015	0,020	0,024	0,030	0,036	0,044	265 (215 – 315)
H12	M	0,050	0,0044	0,0075	0,010	0,013	0,015	0,020	0,024	0,030	0,036	0,044	425 (350 – 500)
H21	M	0,050	0,0044	0,0085	0,012	0,014	0,017	0,024	0,028	0,032	0,040	0,048	205 (170 – 245)
H31	M	0,050	0,0044	0,0075	0,010	0,013	0,015	0,020	0,024	0,030	0,036	0,044	155 (125 – 185)

SMG = Seco material group

Coolant = A=air D=dry E=emulsion M=mist spray

v_c = m/min

f_z = mm

a_p (mm)/ D_c (mm)= factor

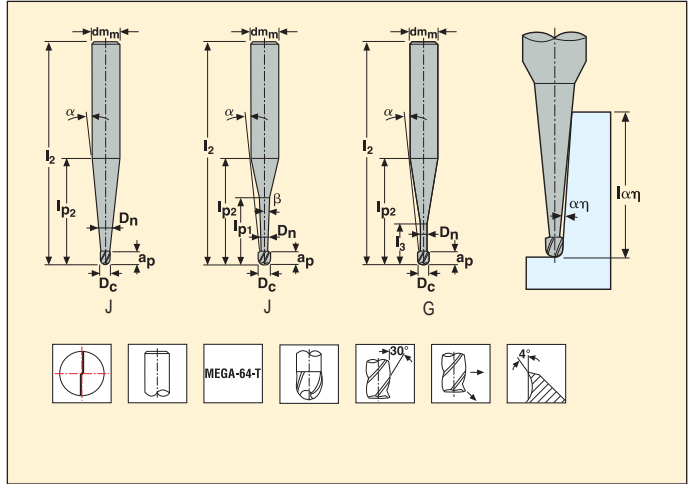
a_e (mm)/ D_c (mm)= factor

All cutting data are target values

JM113/116 – Solid carbide end mill – ball nose



Tolerances:
 Runout < 0,005 mm
 $dm_m = h5$
 $D_c < 0,6 = -0,005 / -0,013$, $D_c \geq 0,6 = -0,005 / -0,015$ mm
 Radius = +/- 0,005 mm



Part No.	Length index	Tool shape	Dimensions in mm										Max. cut depth rel. to α_n (α_n , ref)*							
			D_c	dm_m	a_p	l_2	l_3	l_{p1}	l_{p2}	D_n	α_1°	β	z_n	0°	0.5°	1°	1.5°	2°	3°	
113005-MEGA-64-T	1	J	0,5	3	0,375	40	-	-	5,6	-	13,5	-	2	0,375	0,5	0,5	0,5	0,5	0,5	0,5
113006-MEGA-64-T	1	J	0,6	3	0,45	40	-	-	5,6	-	13	-	2	0,45	0,6	0,6	0,6	0,6	0,7	0,7
113008-MEGA-64-T	1	J	0,8	3	0,6	40	-	-	5,4	-	13	-	2	0,6	0,8	0,8	0,8	0,8	0,8	0,8
113010-MEGA-64-T	1	J	1	3	0,75	40	-	-	5,1	-	12,5	-	2	0,75	0,9	0,9	0,9	0,9	1	1
116012-MEGA-64-T	1	J	1,2	6	0,9	50	-	-	10,5	-	14	-	2	0,9	1,1	1,1	1,1	1,1	1,1	1,2
116015-MEGA-64-T	1	J	1,5	6	1,125	50	-	-	10,2	-	14	-	2	1,125	1,3	1,3	1,3	1,3	1,4	1,4
113ML002TN-MEGA-64-T	2	J	0,2	3	0,15	40	-	0,6	6,3	0,18	13	0,9	2	0,6	0,6	0,7	0,7	0,7	0,7	0,8
113ML003TN-MEGA-64-T	2	J	0,3	3	0,225	40	-	0,9	6,4	0,28	12,5	0,9	2	0,9	0,9	1	1	1	1	1,1
113ML004TN-MEGA-64-T	2	J	0,4	3	0,3	40	-	1,2	6,5	0,35	12	0,9	2	1,2	1,2	1,3	1,3	1,3	1,4	1,4
116ML005TN-MEGA-64-T	2	J	0,5	6	0,375	50	-	1,5	12,2	0,45	13,5	0,9	2	1,5	1,5	1,6	1,6	1,7	1,8	1,8
116ML006TN-MEGA-64-T	2	J	0,6	6	0,45	50	-	2	12,5	0,55	13	0,9	2	2	2	2,1	2,1	2,2	2,4	2,4
116ML008TN-MEGA-64-T	2	J	0,8	6	0,6	50	-	2,5	12,6	0,75	12,5	0,9	2	2,1	2,5	2,6	2,7	2,7	2,9	2,9
116ML010TN-MEGA-64-T	2	J	1	6	0,9	50	-	4	13,6	0,95	11	0,9	2	2,3	4	4,1	4,2	4,4	4,7	4,7
116ML012TN-MEGA-64-T	2	J	1,2	6	0,9	50	-	4,5	13,7	1,15	10,5	0,9	2	2,4	4,5	4,6	4,7	4,9	5,3	5,3
116ML015TN-MEGA-64-T	2	J	1,5	6	1,125	50	-	5	13,8	1,4	10	0,9	2	4,3	5,1	5,2	5,4	5,5	5,9	5,9
116ML020TN-MEGA-64-T	2	J	2	6	1,5	50	-	6	13,8	1,9	9	0,9	2	4,6	6	6,2	6,4	6,6	7,1	7,1
113L005TN-MEGA-64-T	3	G	0,5	3	0,375	40	-	2,5	7,5	0,45	-	0,9	2	∞	∞	∞	∞	∞	∞	∞
113L005-MEGA-64-T	3	G	0,5	3	0,375	40	2,5	2,5	7,7	0,45	10	-	2	2,5	2,6	2,7	2,8	2,9	3,1	3,1
113L006-MEGA-64-T	3	G	0,6	3	0,45	40	3	3	8	0,55	9	-	2	3	3,1	3,2	3,3	3,5	3,7	3,7
113L008-MEGA-64-T	3	G	0,8	3	0,6	40	4	4	8,6	0,75	8	-	2	4	4,2	4,3	4,4	4,6	4,9	4,9
113L010-MEGA-64-T	3	G	1	3	0,75	40	5	5	9,3	0,95	7	-	2	5	5,2	5,4	5,5	5,7	6,2	6,2
116L012-MEGA-64-T	3	G	1,2	6	0,9	50	6	6	15,5	1,15	9,5	-	2	6	6,2	6,4	6,6	6,9	7,4	7,4
116L015-MEGA-64-T	3	G	1,5	6	1,125	50	7,5	7,5	16,5	1,4	8,5	-	2	7,6	7,9	8,1	8,4	8,7	9,3	9,3
116L020-MEGA-64-T	3	G	2	6	1,5	50	10	10	18,1	1,9	7	-	2	10,1	10,4	10,8	11,1	11,5	12,4	12,4
113XL005-MEGA-64-T	5	G	0,5	3	0,375	40	4	4	9,2	0,45	8	-	2	4	4,2	4,3	4,5	4,6	5	5
113XL006-MEGA-64-T	5	G	0,6	3	0,45	40	5	5	10	0,55	7,5	-	2	5	5,2	5,4	5,6	5,8	6,2	6,2
113XL008-MEGA-64-T	5	G	0,8	3	0,6	40	7	7	11,6	0,75	6	-	2	7	7,3	7,5	7,8	8	8,7	8,7
113XL010-MEGA-64-T	5	G	1	3	0,75	40	8,5	8,5	12,8	0,95	5	-	2	8,5	8,8	9,1	9,4	9,8	10,5	10,5
116XL012-MEGA-64-T	5	G	1,2	6	0,9	50	10	10	19,5	1,15	7,5	-	2	10	10,4	10,7	11,1	11,5	12,4	12,4
116XL015-MEGA-64-T	5	G	1,5	6	1,125	60	12	12	21	1,4	6,5	-	2	12,1	12,5	12,9	13,4	13,9	14,9	14,9
116XL020-MEGA-64-T	5	G	2	6	1,5	60	16	16	24,1	1,9	5	-	2	16,1	16,6	17,2	17,8	18,4	19,8	19,8

* The effective under-neck length for the various draft angles. Remark ∞ = infinity, no collision in projection length area.

Cutting data – JM113/JM116 Copy milling finishing $a_p/D_c = 0,02$

SMG		a_p / D_c	f_z										v_c
			0.2	0.3	0.4	0.5	0.6	0.8	1	1.2	1.5	2	
H3	M	0,15	0,0044	0,0065	0,0090	0,011	0,013	0,018	0,022	0,026	0,032	0,044	200 (175 – 225)
H5	M	0,15	0,0065	0,013	0,017	0,020	0,024	0,032	0,040	0,048	0,055	0,065	390 (340 – 435)
H7	M	0,15	0,0044	0,0065	0,0090	0,011	0,013	0,018	0,022	0,026	0,032	0,044	200 (175 – 225)
H8	M	0,15	0,0075	0,014	0,019	0,024	0,028	0,038	0,048	0,055	0,065	0,075	390 (345 – 435)
H11	M	0,15	0,0065	0,013	0,017	0,020	0,024	0,032	0,040	0,048	0,055	0,065	495 (440 – 560)
H12	M	0,15	0,0065	0,013	0,017	0,020	0,024	0,032	0,040	0,048	0,055	0,065	800 (710 – 900)
H21	M	0,15	0,0075	0,014	0,019	0,024	0,028	0,038	0,048	0,055	0,065	0,075	390 (345 – 435)
H31	M	0,15	0,0065	0,013	0,017	0,020	0,024	0,032	0,040	0,048	0,055	0,065	290 (260 – 325)

Cutting data – JM113/JM116 Copy milling roughing $a_p/D_c = 0,02$

SMG		a_p / D_c	f_z										v_c
			0.2	0.3	0.4	0.5	0.6	0.8	1	1.2	1.5	2	
H3	M	0,15	0,0020	0,0036	0,0050	0,0060	0,0075	0,010	0,012	0,015	0,017	0,020	155 (135 – 170)
H5	M	0,15	0,0042	0,0065	0,0090	0,011	0,013	0,018	0,022	0,026	0,032	0,042	290 (255 – 325)
H7	M	0,15	0,0020	0,0036	0,0050	0,0060	0,0075	0,010	0,012	0,015	0,017	0,020	155 (135 – 170)
H8	M	0,15	0,0044	0,0065	0,0090	0,011	0,013	0,018	0,022	0,026	0,032	0,044	290 (255 – 325)
H11	M	0,15	0,0042	0,0065	0,0090	0,011	0,013	0,018	0,022	0,026	0,032	0,042	375 (330 – 415)
H12	M	0,15	0,0042	0,0065	0,0090	0,011	0,013	0,018	0,022	0,026	0,032	0,042	600 (530 – 670)
H21	M	0,15	0,0044	0,0065	0,0090	0,011	0,013	0,018	0,022	0,026	0,032	0,044	290 (255 – 325)
H31	M	0,15	0,0042	0,0065	0,0090	0,011	0,013	0,018	0,022	0,026	0,032	0,042	220 (195 – 245)

SMG = Seco material group

Coolant = A=air D=dry E=emulsion M=mist spray

v_c = m/min

f_z = mm

a_p (mm)/ D_c (mm)= factor

a_e (mm)/ D_c (mm)= factor

All cutting data are target values



Name		JC840	JC845	JC850	JC860	JC870
Page		258-260	261-262	263-264	265-267	268-269
Family		Composite	Composite	Composite	Composite	Composite
Type of mill						
Shank	Cylindrical	■	■	■	■	■
	Weldon					
Number of flutes		4-9	3-5	4	5-11	
ICC						
Diameter range	Metric	6-12	6-12	3-12	6-16	3-12
	Inch	1/4 - 1/2			1/4 - 1/2	1/4 - 1/2
Lengths available, based on length index						
		2	2	2	2	2
Operation						
SMG						
TS1						
TS2		●	●	●	●	●
TS3		●	●	●	●	●
TP1						
TP2		●	●	●	●	●
TP3		●	●	●	●	●
honeycomb*					●	●

*honeycomb refers to a honeycomb-like base structure.

■ Stock standard

● Preferred choice, ○ Alternative choice

Name		JC871	JC875	JC880	JC885
Page		273-277	278-280	281-282	283-284
Family		Composite	Composite	Composite	Composite
Type of mill					
Shank	Cylindrical	■	■	■	■
	Weldon				
Number of flutes			5-6-10	4	4
ICC					
Diameter range	Metric	3-12	3-12	4-20	4-12
	Inch	1/4 -1/2	1/4 -1/2		
Lengths available, based on length index		 2	 2	 2	 2
Operation					
SMG					
TS1					
TS2		•	•	•	•
TS3		•	•	•	•
TP1					
TP2		•	•	•	•
TP3		•	•	•	•
honeycomb*		•			

*honeycomb refers to a honeycomb-like base structure.

- Stock standard
- Preferred choice, ○ Alternative choice

Name		JPD840	JPD850	JPD880	JPD890	J93/J99-F	J28
Page		285-286	287-288	289-290	291-292	293-294	295-296
Family		PCD	PCD	PCD	PCD	VHM	VHM
Type of mill							
Shank	Cylindrical	■	■	■	■	■	■
	Weldon						
Number of flutes		1-2	2-3	3	2	2	1
ICC		■	■	■	■		
Diameter range	Metric	6-16	4-16	6-16	6-16	1-25	2-12
	Inch						
Lengths available, based on length index							
		2	2	2,3	2,3	1,2,3	2
Operation							
SMG							
TS1						●	●
TS2		●	●	●	●		
TS3		●	●	●	●		
TP1						●	
TP2		●	●	●	●		
TP3		●	●	●	●		
honeycomb*							

*honeycomb refers to a honeycomb-like base structure.

■ Stock standard

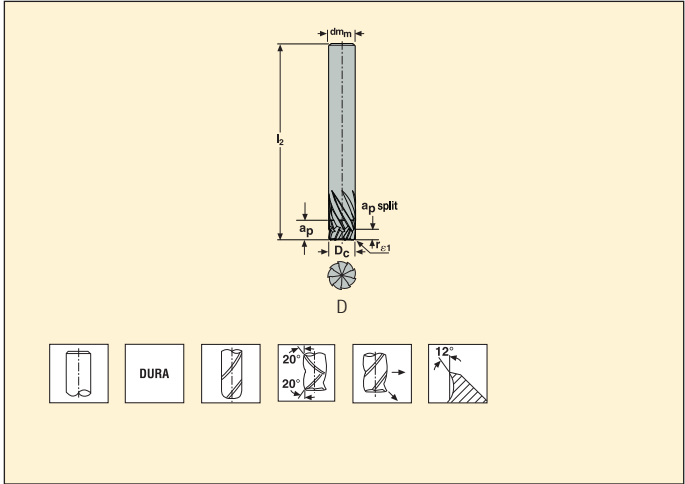
● Preferred choice, ○ Alternative choice

JC840 – Solid carbide end mill – double helix to avoid delamination



Tolerances:


$dm_m = h5$
 $D_c = -0,02/-0,04 \text{ mm}$
 $r_{e1} = \pm 0,01 \text{ mm}$




Part No.	Length index	Tool shape	Dimensions in mm							z _n	Cylindrical
			D _c	dm _m	l ₂	a _p	a _p split	r _{e1}			
840060R050Z4.0-DURA	2	D	6	6	65	12	3	0,5	4	■	
840080R050Z6.0-DURA	2	D	8	8	70	16	4	0,5	6	■	
840100R050Z7.0-DURA	2	D	10	10	80	20	5	0,5	7	■	
840120R050Z9.0-DURA	2	D	12	12	90	24	6	0,5	9	■	

■ Stock standard. Subject to change refer to current price-and stock-list.

Cutting data – JC840 Slotting

SMG		a_p / D_c	f_z				v_c
			6	8	10	12	
TS2	E/A/D	1,0	0,024	0,032	0,040	0,048	105 (50 — 155)
TS3	E/A/D	1,0	0,024	0,032	0,040	0,048	70 (50 — 95)
TP2	E/A/D	1,0	0,024	0,032	0,040	0,048	155 (105 — 205)
TP3	E/A/D	1,0	0,024	0,032	0,040	0,048	105 (70 — 135)

Cutting data – JC840 Side milling roughing $a_p/D_c = 0,4$

SMG		a_p / D_c	f_z				v_c
			6	8	10	12	
TS2	E/A/D	1,0	0,024	0,032	0,040	0,048	130 (65 — 195)
TS3	E/A/D	1,0	0,024	0,032	0,040	0,048	90 (65 — 115)
TP2	E/A/D	1,0	0,024	0,032	0,040	0,048	195 (130 — 255)
TP3	E/A/D	1,0	0,024	0,032	0,040	0,048	130 (90 — 165)

SMG = Seco material group

Coolant = A=air D=dry E=emulsion M=mist spray

v_c = m/min

f_z = mm

a_p (mm)/ D_c (mm) = factor

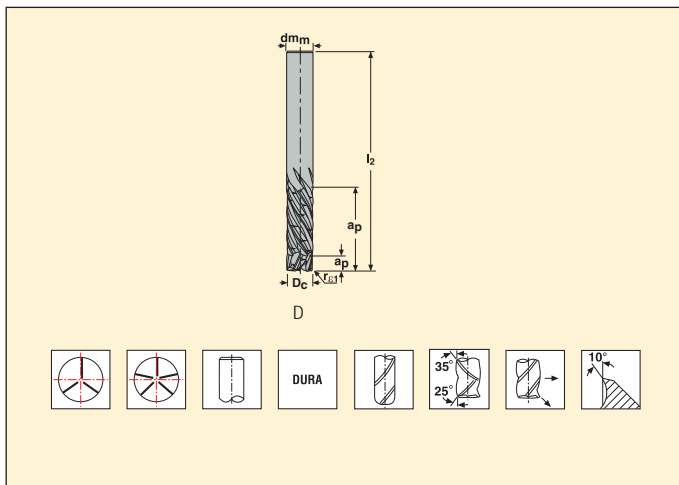
a_c (mm)/ D_c (mm) = factor

All cutting data are target values

JC845 – Solid carbide end mill – compressive double helix to avoid delamination



Tolerances:
 $dm_m = h5$
 $D_c = -0,02 / -0,04 \text{ mm}$
 $r_{e1} = \pm 0,01 \text{ mm}$



Part No.	Length index	Tool shape	Dimensions in mm						Z _n	Cylindrical
			D _c	dm _m	l ₂	a _p	a _p split	r _e		
JC845060D2R050.0Z3-DURA	2	D	6	6	65	18	4	0,5	3	■
JC845080D2R050.0Z3-DURA	2	D	8	8	75	24	5	0,5	3	■
JC845100D2R050.0Z3-DURA	2	D	10	10	85	30	6	0,5	3	■
JC845120D2R050.0Z5-DURA	2	D	12	12	100	36	8	0,5	5	■

■ Stock standard. Subject to change refer to current price-and stock-list.

Cutting data – JC845 Slotting

SMG		a_p / D_c	f_z				v_c
			6	8	10	12	
TS2	E/A/D	1,0	0,024	0,032	0,040	0,048	105 (50 — 160)
TS3	E/A/D	1,0	0,024	0,032	0,040	0,048	75 (50 — 95)
TP2	E/A/D	1,0	0,024	0,032	0,040	0,048	155 (105 — 210)
TP3	E/A/D	1,0	0,024	0,032	0,040	0,048	105 (75 — 135)

Cutting data – JC845 Side milling roughing $a_p/D_c = 0,4$

SMG		a_p / D_c	f_z				v_c
			6	8	10	12	
TS2	E/A/D	1,0	0,024	0,032	0,040	0,048	130 (65 — 195)
TS3	E/A/D	1,0	0,024	0,032	0,040	0,048	90 (65 — 115)
TP2	E/A/D	1,0	0,024	0,032	0,040	0,048	195 (130 — 260)
TP3	E/A/D	1,0	0,024	0,032	0,040	0,048	130 (90 — 170)

SMG = Seco material group

Coolant = A=air D=dry E=emulsion M=mist spray

v_c = m/min

f_z = mm

a_p (mm)/ D_c (mm) = factor

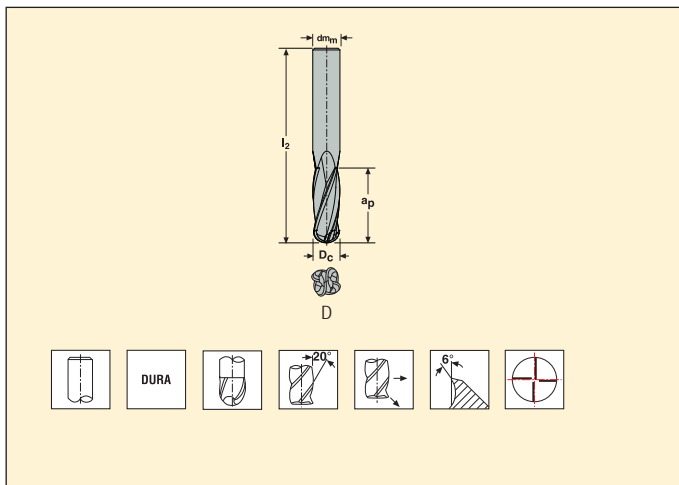
a_c (mm)/ D_c (mm) = factor

All cutting data are target values

JC850 – Solid carbide end mill – ball nose




Tolerances:
 $dm_m = h5$
 $D_c = -0,02 / -0,04 \text{ mm}$
Radius = $\pm 0,02 \text{ mm}$



Part No.	Length index	Tool shape	Dimensions in mm					Cylindrical
			D_c	dm_m	l_2	a_p	zn	
850030Z4.0-DURA	2	D	3	3	50	9	4	■
850040Z4.0-DURA	2	D	4	4	50	12	4	■
850060Z4.0-DURA	2	D	6	6	65	18	4	■
850080Z4.0-DURA	2	D	8	8	70	24	4	■
850100Z4.0-DURA	2	D	10	10	85	30	4	■
850120Z4.0-DURA	2	D	12	12	100	36	4	■

■ Stock standard. Subject to change refer to current price- and stock-list.

Cutting data – JC850 Copy milling $a_e/D_c = 0,2$

SMG		a_p / D_c	f_z						v_c
			3	4	6	8	10	12	
TS2	E/A/D	0,20	0,032	0,046	0,070	0,095	0,12	0,14	310 (155 — 460)
TS3	E/A/D	0,20	0,032	0,046	0,070	0,095	0,12	0,14	145 (75 — 220)
TP2	E/A/D	0,20	0,032	0,046	0,070	0,095	0,12	0,14	385 (310 — 460)
TP3	E/A/D	0,20	0,032	0,046	0,070	0,095	0,12	0,14	220 (145 — 295)

SMG = Seco material group

Coolant = A=air D=dry E=emulsion M=mist spray

v_c = m/min

f_z = mm

a_p (mm)/ D_c (mm)= factor

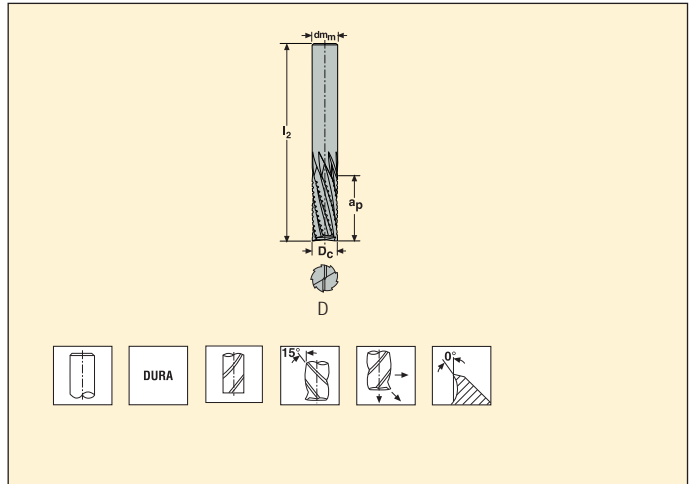
a_e (mm)/ D_c (mm)= factor

All cutting data are target values

JC860 – Solid carbide end mill – Honeycomb router – multiflute



Tolerances:
 $dm_m = h5$
 $D_c = -0,02 / -0,04$ mm
 Z_f = frontal teeth



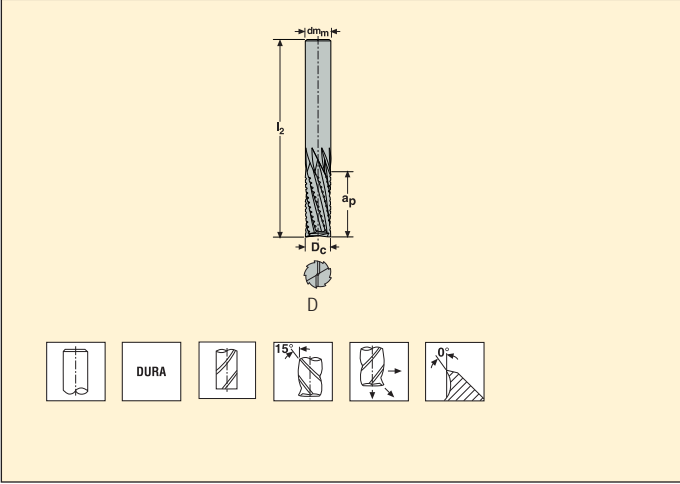
Part No.	Length index	Tool shape	Dimensions in mm				Z_f	Z_n	Cylindrical
			D_c	dm_m	l_2	a_p			
860060Z5.0-DURA	2	D	6	6	70	18	2	5	■
860080Z6.0-DURA	2	D	8	8	80	24	2	6	■
860100Z8.0-DURA	2	D	10	10	90	30	2	8	■
860120Z9.0-DURA	2	D	12	12	110	36	2	9	■
860160Z11.0-DURA	2	D	16	16	125	48	2	11	■

■ Stock standard. Subject to change refer to current price- and stock-list.

JC860 - Solid carbide end mill - honeycomb router - multiflute - inch



Tolerances:
 $dm_m = h5$
 $D_c = -0.02 / -0.04 \text{ mm}$
 $Z_f = \text{frontal teeth}$



Part No.	Length index	Tool shape	Dimensions in inch				Z_f	z_n	Cylindrical
			D_c	dm_m	l_2	a_p			
8600250Z5.0-DURA	2	D	.250	.250	2.250	.750	2	5	■
8600500Z9.0-DURA	2	D	.500	.500	4.000	1.500	2	9	■

■ Stock standard. Subject to change refer to current price- and stock-list.

Cutting data – JC860 Slotting

SMG		a_p / D_c	f_z					v_c
			6	8	10	12	16	
TS2	E/A/D	0,50	0,018	0,024	0,030	0,036	0,044	100 (75 – 125)
TS3	E/A/D	0,50	0,018	0,024	0,030	0,036	0,044	50 (30 – 70)
TP2	E/A/D	0,50	0,018	0,024	0,030	0,036	0,044	150 (125 – 175)
TP3	E/A/D	0,50	0,018	0,024	0,030	0,036	0,044	100 (80 – 120)

Cutting data – JC860 Side milling roughing $a_e/D_c = 0,1$

SMG		a_p / D_c	f_z					v_c
			6	8	10	12	16	
TS2	E/A/D	1,0	0,030	0,040	0,050	0,060	0,075	170 (125 – 210)
TS3	E/A/D	1,0	0,030	0,040	0,050	0,060	0,075	85 (50 – 120)
TP2	E/A/D	1,0	0,030	0,040	0,050	0,060	0,075	255 (210 – 295)
TP3	E/A/D	1,0	0,030	0,040	0,050	0,060	0,075	170 (135 – 200)

SMG = Seco material group

Coolant = A=air D=dry E=emulsion M=mist spray

v_c = m/min

f_z = mm

a_p (mm)/ D_c (mm)= factor

a_e (mm)/ D_c (mm)= factor

All cutting data are target values

JC870 - Solid carbide end mill - router (downcut)* - inch



DURA

Tolerances:
 $dm_m = h5$
 $D_c = -0,02/-0,08 \text{ mm}$

Part No.	Length index	Tool shape	Dimensions in inch				Z _f	Cylindrical
			D _c	dm _m	l ₂	a _p		
8700250.0-DURA	2	D	.250	.250	2.250	.750	2	■
8700375.0-DURA	2	D	.375	.375	3.500	1.250	2	■
8700500.0-DURA	2	D	.500	.500	4.250	1.500	2	■

*Downcut indicates flute geometries that are combined to create small down forces that assist with maintaining component clamping, particularly where vacuum clamping is employed.

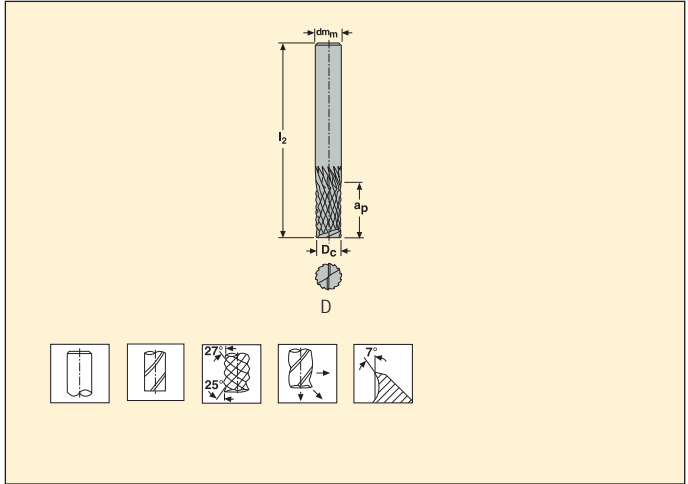
JC870 - Solid carbide end mill - router (downcut)*



Tolerances:

$dm_m=h5$

$D_c=-0,02/-0,08$ mm



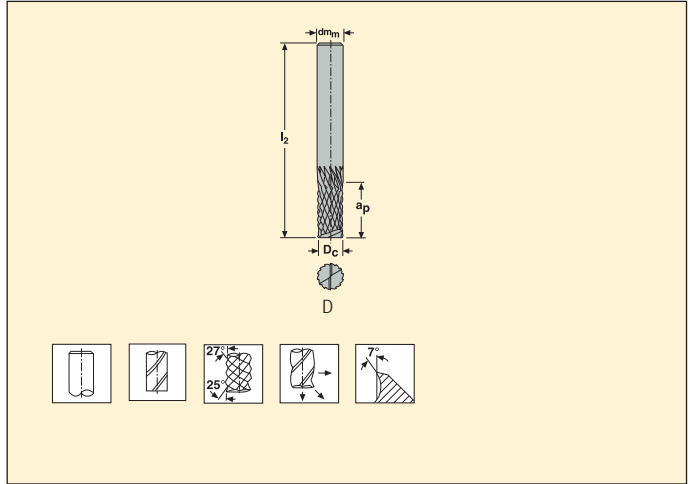
Part No.	Length index	Tool shape	Dimensions in mm				Zf	Cylindrical
			D_c	dm_m	l_2	a_p		
870030.0	2	D	3	3	50	9	2	■
870040.0	2	D	4	4	50	12	2	■
870050.0	2	D	5	5	50	15	2	■
870060.0	2	D	6	6	65	18	2	■
870080.0	2	D	8	8	75	24	2	■
870100.0	2	D	10	10	85	30	2	■
870120.0	2	D	12	12	100	36	2	■

*Downcut indicates flute geometries that are combined to create small down forces that assist with maintaining component clamping, particularly where vacuum clamping is employed.
 ■ Stock standard. Subject to change refer to current price-and stock-list.

JC870 – Solid carbide end mill – router (downcut)* – inch



Tolerances:
 $dm_m = h5$
 $D_c = -.0008 / -.0015$



Part No.	Length index	Tool shape	Dimensions in inch				Zf	Cylindrical
			D_c	dm_m	l_2	a_p		
8700250.0	2	D	.250	.250	2.250	.750	2	■
8700375.0	2	D	.375	.375	3.500	1.250	2	■
8700500.0	2	D	.500	.500	4.250	1.500	2	■

*Downcut indicates flute geometries that are combined to create small down forces that assist with maintaining component clamping, particularly where vacuum clamping is employed.

■ Stock standard. Subject to change refer to current price-and stock-list.

Cutting data – JC870 Slotting

SMG		a_p / D_c	f_z							v_c
			3	4	5	6	8	10	12	
TS2	E/A/D	0,50	0,0090	0,012	0,015	0,018	0,024	0,030	0,036	105 (80 – 130)
TS3	E/A/D	0,50	0,0090	0,012	0,015	0,018	0,024	0,030	0,036	55 (32 – 75)
TP2	E/A/D	0,50	0,0090	0,012	0,015	0,018	0,024	0,030	0,036	160 (130 – 185)
TP3	E/A/D	0,50	0,0090	0,012	0,015	0,018	0,024	0,030	0,036	105 (85 – 125)

Cutting data – JC870 Side milling roughing $a_p/D_c = 0,35$

SMG		a_p / D_c	f_z							v_c
			3	4	5	6	8	10	12	
TS2	E/A/D	2,0	0,0095	0,013	0,016	0,019	0,026	0,032	0,038	155 (115 – 195)
TS3	E/A/D	2,0	0,0095	0,013	0,016	0,019	0,026	0,032	0,038	75 (46 – 110)
TP2	E/A/D	2,0	0,0095	0,013	0,016	0,019	0,026	0,032	0,038	230 (195 – 270)
TP3	E/A/D	2,0	0,0095	0,013	0,016	0,019	0,026	0,032	0,038	155 (125 – 185)

SMG = Seco material group

Coolant = A=air D=dry E=emulsion M=mist spray

v_c = m/min

f_z = mm

a_p (mm)/ D_c (mm)= factor

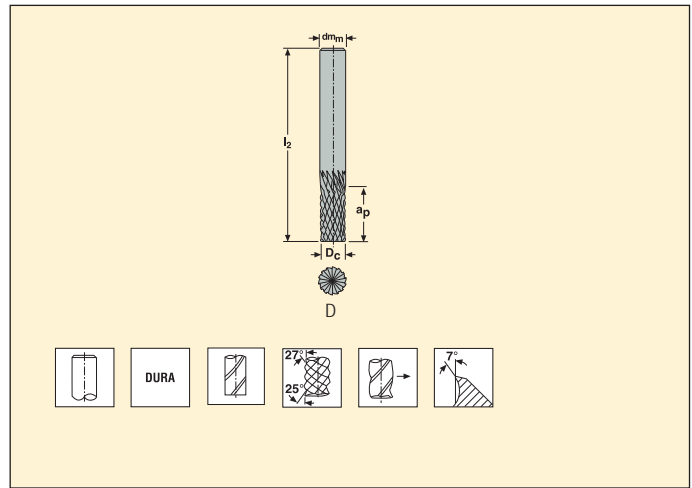
a_c (mm)/ D_c (mm)= factor

All cutting data are target values

JC871 - Solid carbide end mill - router (downcut)*



Tolerances:
 $dm_m = h5$
 $D_c = -0,02 / -0,08$ mm



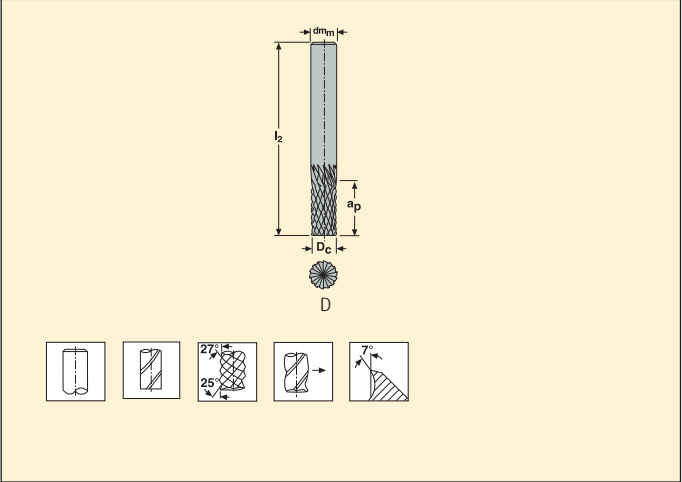
Part No.	Length index	Tool shape	Dimensions in mm				Cylindrical
			D _c	dm _m	l ₂	a _p	
871030.0-DURA	2	D	3	3	50	9	■
871040.0-DURA	2	D	4	4	50	12	■
871050.0-DURA	2	D	5	5	50	15	■
871060.0-DURA	2	D	6	6	65	18	■
871080.0-DURA	2	D	8	8	75	24	■
871100.0-DURA	2	D	10	10	85	30	■
871120.0-DURA	2	D	12	12	100	36	■

*Downcut indicates flute geometries that are combined to create small down forces that assist with maintaining component clamping, particularly where vacuum clamping is employed.
 ■ Stock standard. Subject to change refer to current price-and stock-list.

JC871 – Solid carbide end mill – router (downcut)*



Tolerances:
 $dm_m = h5$
 $D_c = -0.02 / -0.04$



Part No.	Length index	Tool shape	Dimensions in mm				Cylindrical
			D_c	dm_m	l_2	a_p	
871030.0	2	D	3	3	50	9	■
871040.0	2	D	4	4	50	12	■
871050.0	2	D	5	5	50	15	■
871060.0	2	D	6	6	65	18	■
871080.0	2	D	8	8	75	24	■
871100.0	2	D	10	10	85	30	■
871120.0	2	D	12	12	100	36	■

*Downcut indicates flute geometries that are combined to create small down forces that assist with maintaining component clamping, particularly where vacuum clamping is employed.

Cutting data – JC871 Slotting

SMG		a_p / D_c	f_z							v_c
			3	4	5	6	8	10	12	
TS2	E/A/D	0,50	0,0090	0,012	0,015	0,018	0,024	0,030	0,036	105 (80 – 130)
TS3	E/A/D	0,50	0,0090	0,012	0,015	0,018	0,024	0,030	0,036	55 (32 – 75)
TP2	E/A/D	0,50	0,0090	0,012	0,015	0,018	0,024	0,030	0,036	160 (130 – 185)
TP3	E/A/D	0,50	0,0090	0,012	0,015	0,018	0,024	0,030	0,036	105 (85 – 125)

Cutting data – JC871 Side milling roughing $a_e/D_c = 0,35$

SMG		a_p / D_c	f_z							v_c
			3	4	5	6	8	10	12	
TS2	E/A/D	2,0	0,0095	0,013	0,016	0,019	0,026	0,032	0,038	155 (115 – 195)
TS3	E/A/D	2,0	0,0095	0,013	0,016	0,019	0,026	0,032	0,038	75 (46 – 110)
TP2	E/A/D	2,0	0,0095	0,013	0,016	0,019	0,026	0,032	0,038	230 (195 – 270)
TP3	E/A/D	2,0	0,0095	0,013	0,016	0,019	0,026	0,032	0,038	155 (125 – 185)

SMG = Seco material group

Coolant = A=air D=dry E=emulsion M=mist spray

v_c = m/min

f_z = mm

a_p (mm)/ D_c (mm)= factor

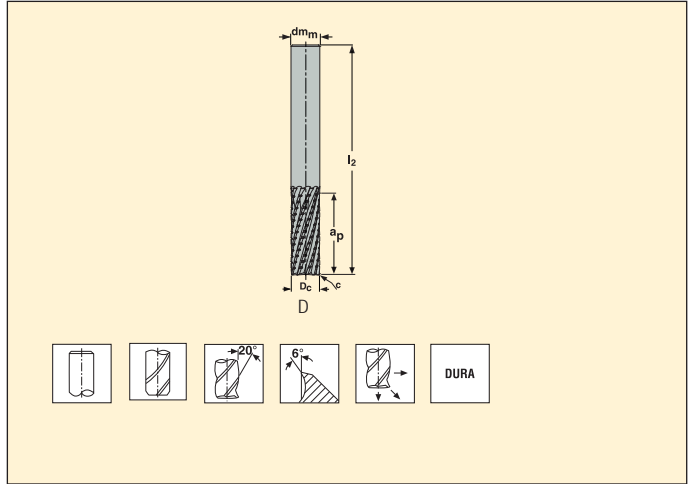
a_e (mm)/ D_c (mm)= factor

All cutting data are target values

JC875 – Solid carbide end mill – advanced router



Tolerances:
 $dm_m = h5$
 $D_c = -0,02/-0,08$



Part No.	Length index	Tool shape	Dimensions in mm				c x 45°	z _n	Cylindrical
			D _c	dm _m	l ₂	a _p			
JC875030D2.0-DURA	2	D	3	3	50	9	0,05	5	■
JC875040D2.0-DURA	2	D	4	4	50	12	0,05	5	■
JC875050D2.0-DURA	2	D	5	5	50	15	0,05	6	■
JC875060D2.0-DURA	2	D	6	6	65	18	0,06	6	■
JC875080D2.0-DURA	2	D	8	8	70	24	0,08	10	■
JC875100D2.0-DURA	2	D	10	10	80	30	0,1	10	■
JC875120D2.0-DURA	2	D	12	12	90	36	0,12	10	■

■ Stock standard. Subject to change refer to current price- and stock-list.

Cutting data – JC875 Slotting

SMG		a_p / D_c	f_z						v_c
			4	5	6	8	10	12	
TS2	E/A/D	0,50	0,012	0,015	0,018	0,024	0,030	0,036	105 (90 – 155)
TS3	E/A/D	0,50	0,012	0,015	0,018	0,024	0,030	0,036	55 (44 – 80)
TP2	E/A/D	0,50	0,012	0,015	0,018	0,024	0,030	0,036	160 (135 – 235)
TP3	E/A/D	0,50	0,012	0,015	0,018	0,024	0,030	0,036	105 (90 – 155)

Cutting data – JC875 Side milling $a_p/D_c = 0,3$

SMG		a_p / D_c	f_z						v_c
			4	5	6	8	10	12	
TS2	E/A/D	2,0	0,013	0,016	0,019	0,026	0,032	0,038	135 (110 – 200)
TS3	E/A/D	2,0	0,013	0,016	0,019	0,026	0,032	0,038	65 (55 – 100)
TP2	E/A/D	2,0	0,013	0,016	0,019	0,026	0,032	0,038	200 (170 – 300)
TP3	E/A/D	2,0	0,013	0,016	0,019	0,026	0,032	0,038	135 (110 – 200)

SMG = Seco material group

Coolant = A=air D=dry E=emulsion M=mist spray

v_c = m/min

f_z = mm

a_p (mm)/ D_c (mm)= factor

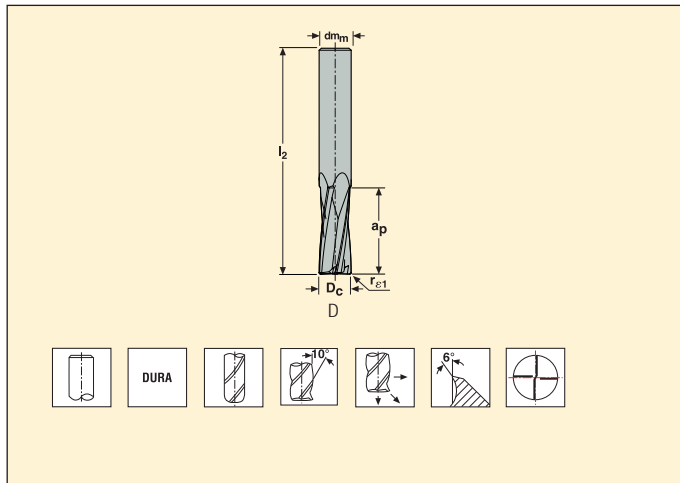
a_c (mm)/ D_c (mm)= factor

All cutting data are target values

JC880 – Solid carbide end mill – low helix



Tolerances:
 $dm_m = h5$
 $D_c = -0,02 / -0,04 \text{ mm}$
 $r_{e1} = \pm 0,01 \text{ mm}$



Part No.	Length index	Tool shape	Dimensions in mm					Z _n	Cylindrical
			D _c	dm _m	l ₂	a _p	r _e		
880040R020Z4.0-DURA	2	D	4	4	50	12	0,2	4	■
880050R020Z4.0-DURA	2	D	5	5	50	15	0,2	4	■
880060R020Z4.0-DURA	2	D	6	6	65	18	0,2	4	■
880080R020Z4.0-DURA	2	D	8	8	70	24	0,2	4	■
880100R020Z4.0-DURA	2	D	10	10	80	30	0,2	4	■
880120R020Z4.0-DURA	2	D	12	12	100	36	0,2	4	■
880160R020Z4.0-DURA	2	D	16	16	110	48	0,2	4	■
880200R020Z4.0-DURA	2	D	20	20	130	60	0,2	4	■

■ Stock standard. Subject to change refer to current price- and stock-list.

Cutting data – JC880 Slotting

SMG		a_p / D_c	f_z								v_c
			4	5	6	8	10	12	16	20	
TS2	E/A/D	1,0	0,024	0,030	0,036	0,048	0,060	0,070	0,090	0,10	105 (80 – 135)
TS3	E/A/D	1,0	0,024	0,030	0,036	0,048	0,060	0,070	0,090	0,10	49 (29 – 70)
TP2	E/A/D	1,0	0,024	0,030	0,036	0,048	0,060	0,070	0,090	0,10	160 (135 – 185)
TP3	E/A/D	1,0	0,024	0,030	0,036	0,048	0,060	0,070	0,090	0,10	100 (80 – 115)

Cutting data – JC880 Side milling roughing $a_p/D_c = 0,3$

SMG		a_p / D_c	f_z							v_c
			4	6	8	10	12	16	20	
TS2	E/A/D	2,0	0,026	0,040	0,050	0,065	0,080	0,095	0,11	160 (120 – 200)
TS3	E/A/D	2,0	0,026	0,040	0,050	0,065	0,080	0,095	0,11	75 (44 – 100)
TP2	E/A/D	2,0	0,026	0,040	0,050	0,065	0,080	0,095	0,11	235 (200 – 275)
TP3	E/A/D	2,0	0,026	0,040	0,050	0,065	0,080	0,095	0,11	145 (115 – 175)

SMG = Seco material group

Coolant = A=air D=dry E=emulsion M=mist spray

v_c = m/min

f_z = mm

a_p (mm)/ D_c (mm)= factor

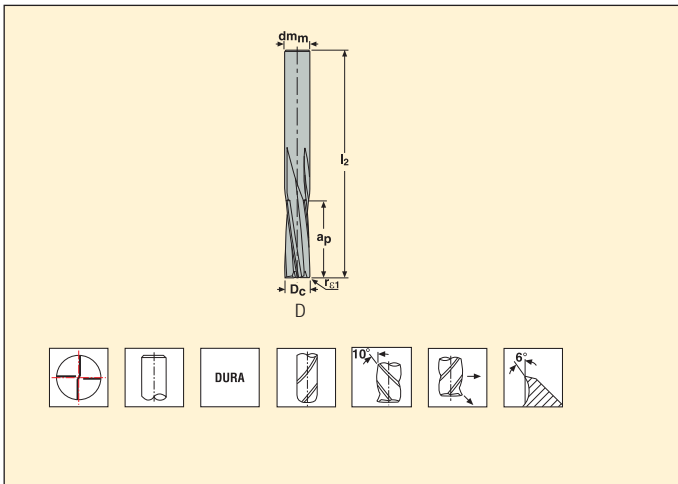
a_c (mm)/ D_c (mm)= factor

All cutting data are target values

JC885 – Solid carbide end mill – left hand helix – down cut



Tolerances:
 $dm_m = h5$
 $D_c = -0,02/-0,04$ mm
 $r_{e1} = \pm 0,01$ mm



Part No.	Length index	Tool shape	Dimensions in mm					Z_n	Cylindrical
			D_c	dm_m	l_2	a_p	r_e		
JC885040D2R020.0Z4-DURA	2	D	4	4	50	12	0,2	4	■
JC885050D2R020.0Z4-DURA	2	D	5	5	60	15	0,2	4	■
JC885060D2R020.0Z4-DURA	2	D	6	6	70	18	0,2	4	■
JC885080D2R020.0Z4-DURA	2	D	8	8	80	24	0,2	4	■
JC885100D2R020.0Z4-DURA	2	D	10	10	90	30	0,2	4	■
JC885120D2R020.0Z4-DURA	2	D	12	12	100	36	0,2	4	■

■ Stock standard. Subject to change refer to current price- and stock-list.

Cutting data – JC885 Slotting

SMG		a_p / D_c	f_z						v_c
			4	5	6	8	10	12	
TS2	E/A/D	1,0	0,024	0,030	0,036	0,048	0,060	0,070	105 (80 — 135)
TS3	E/A/D	1,0	0,024	0,030	0,036	0,048	0,060	0,070	49 (29 — 70)
TP2	E/A/D	1,0	0,024	0,030	0,036	0,048	0,060	0,070	160 (130 — 185)
TP3	E/A/D	1,0	0,024	0,030	0,036	0,048	0,060	0,070	95 (80 — 115)

Cutting data – JC885 Side milling roughing $a_p/D_c = 0,3$

SMG		a_p / D_c	f_z						v_c
			4	5	6	8	10	12	
TS2	E/A/D	2,0	0,026	0,032	0,040	0,050	0,065	0,075	155 (120 — 195)
TS3	E/A/D	2,0	0,026	0,032	0,040	0,050	0,065	0,075	70 (43 — 100)
TP2	E/A/D	2,0	0,026	0,032	0,040	0,050	0,065	0,075	235 (195 — 275)
TP3	E/A/D	2,0	0,026	0,032	0,040	0,050	0,065	0,075	145 (115 — 175)

SMG = Seco material group

Coolant = A=air D=dry E=emulsion M=mist spray

v_c = m/min

f_z = mm

a_p (mm)/ D_c (mm)= factor

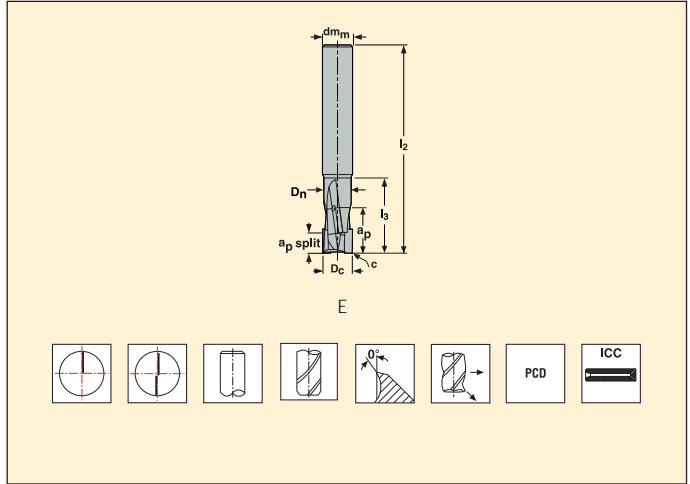
a_c (mm)/ D_c (mm)= factor

All cutting data are target values

JPD840 – PCD end mill compressive helix to avoid delamination



Tolerances:
 $dm_m=h5$
 $D_c=h10$
 ICC=Y



Part No.	Length index	Tool shape	ICC	Dimensions in mm							c x 45°	z _n	Cylindrical	
				D _c	dm _m	l ₂	l ₃	a _p	a _{p split}	D _n				
JPD840060G2C.0Z1A	2	G	■	6	8	64	20	8	3,9	5,3	0,1	1	■	
JPD840080E2C.0Z2A	2	E	■	8	8	64	20	13	5,8	7,3	0,1	2	■	
JPD840100E2C.0Z2A	2	E	■	10	10	73	25	15	7,4	9,2	0,1	2	■	
JPD840120E2C.0Z2A	2	E	■	12	12	83	30	18	8,8	11	0,1	2	■	
JPD840160E2C.0Z2A	2	E	■	16	16	90	35	22	10,8	14,8	0,1	2	■	

■ Stock standard. Subject to change refer to current price- and stock-list.
 ICC = Internal Coolant Channel

Cutting data – JPD840 Slotting

SMG		a_p / D_c	f_z					v_c
			6	8	10	12	16	
TS2	E/A/D	1,0	0,060	0,080	0,10	0,12	0,15	375 (315 – 560)
TS3	E/A/D	1,0	0,060	0,080	0,10	0,12	0,15	205 (170 – 305)
TP2	E/A/D	1,0	0,060	0,080	0,10	0,12	0,15	600 (500 – 900)
TP3	E/A/D	1,0	0,060	0,080	0,10	0,12	0,15	385 (325 – 580)

Cutting data – JPD840 Side milling $a_c/D_c = 0,3$

SMG		a_p / D_c	f_z					v_c
			6	8	10	12	16	
TS2	E/A/D	1,4	0,065	0,085	0,11	0,13	0,16	495 (415 – 740)
TS3	E/A/D	1,4	0,065	0,085	0,11	0,13	0,16	270 (230 – 405)
TP2	E/A/D	1,4	0,065	0,085	0,11	0,13	0,16	790 (670 – 1175)
TP3	E/A/D	1,4	0,065	0,085	0,11	0,13	0,16	510 (430 – 770)

SMG = Seco material group

Coolant = A=air D=dry E=emulsion M=mist spray

v_c = m/min


f_z = mm

a_p (mm)/ D_c (mm)= factor

a_c (mm)/ D_c (mm)= factor

All cutting data are target values

Cutting data – JPD850 Copy milling $a_p/D_c = 0,2$

SMG		a_p / D_c	f_z							v_c
			4	5	6	8	10	12	16	
TS2	E/A/D	0,50	0,030	0,040	0,050	0,075	0,10	0,12	0,15	475 (400 – 710)
TS3	E/A/D	0,50	0,030	0,040	0,050	0,075	0,10	0,12	0,15	265 (225 – 400)
TP2	E/A/D	0,50	0,030	0,040	0,050	0,075	0,10	0,12	0,15	760 (640 – 1125)
TP3	E/A/D	0,50	0,030	0,040	0,050	0,075	0,10	0,12	0,15	500 (425 – 750)

SMG = Seco material group

Coolant = A=air D=dry E=emulsion M=mist spray

v_c = m/min

f_z = mm

a_p (mm)/ D_c (mm)= factor

a_e (mm)/ D_c (mm)= factor

All cutting data are target values

JPD880 - PCD end mill up down neutral cut

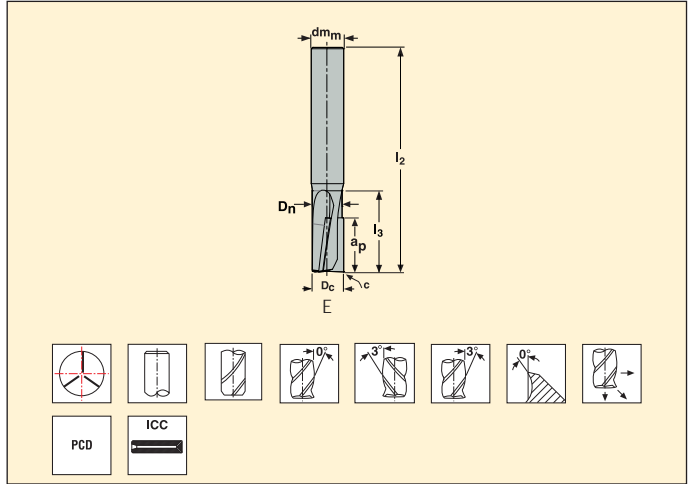


Tolerances:

dm_m=h5

D_c=h10

ICC=Y



Part No.	Length index	Tool shape	ICC	Dimensions in mm						c x 45°	z _n	Cylindrical
				D _c	dm _m	l ₂	l ₃	a _p	D _n			
JPD880060G2C.0Z3A	2	G	■	6	8	64	20	13	5,3	0,1	3	■
JPD880080E2C.0Z3A	2	E	■	8	8	64	20	15	7,3	0,1	3	■
JPD880100E2C.0Z3A	2	E	■	10	10	73	30	13	9,2	0,1	3	■
JPD880100E3C.0Z3A	3	E	■	10	10	73	30	20	9,2	0,1	3	■
JPD880120E2C.0Z3A	2	E	■	12	12	83	30	13	11	0,1	3	■
JPD880120E3C.0Z3A	3	E	■	12	12	83	30	20	11	0,1	3	■
JPD880160E2C.0Z3A	2	E	■	16	16	90	35	13	14,8	0,1	3	■
JPD880160E3C.0Z3A	3	E	■	16	16	90	35	20	14,8	0,1	3	■

■ Stock standard. Subject to change refer to current price- and stock-list.
ICC = Internal Coolant Channel

Cutting data – JPD880 Slotting

SMG		a_p / D_c	f_z					v_c
			6	8	10	12	16	
TS2	E/A/D	1,0	0,060	0,080	0,10	0,12	0,15	375 (315 – 560)
TS3	E/A/D	1,0	0,060	0,080	0,10	0,12	0,15	205 (170 – 305)
TP2	E/A/D	1,0	0,060	0,080	0,10	0,12	0,15	600 (500 – 900)
TP3	E/A/D	1,0	0,060	0,080	0,10	0,12	0,15	385 (325 – 580)

Cutting data – JPD880 Side milling $a_c/D_c = 0,3$

SMG		a_p / D_c	f_z					v_c
			6	8	10	12	16	
TS2	E/A/D	1,2	0,065	0,085	0,11	0,13	0,16	495 (415 – 740)
TS3	E/A/D	1,2	0,065	0,085	0,11	0,13	0,16	270 (230 – 405)
TP2	E/A/D	1,2	0,065	0,085	0,11	0,13	0,16	790 (670 – 1175)
TP3	E/A/D	1,2	0,065	0,085	0,11	0,13	0,16	510 (430 – 770)

SMG = Seco material group

Coolant = A=air D=dry E=emulsion M=mist spray

v_c = m/min

f_z = mm

a_p (mm)/ D_c (mm)= factor

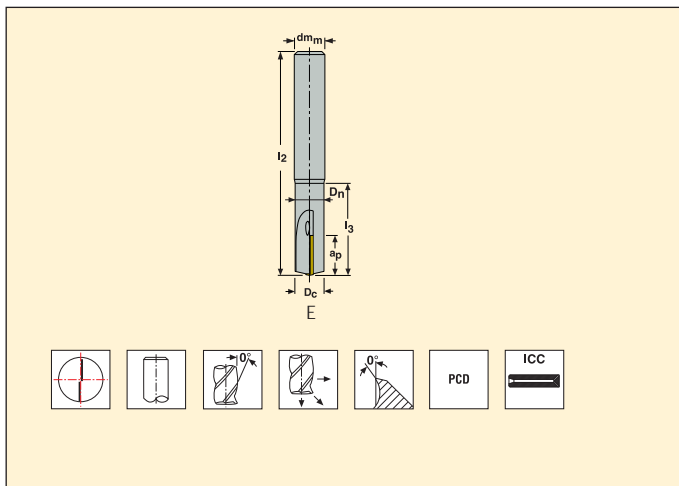
a_c (mm)/ D_c (mm)= factor

All cutting data are target values

JPD890 - PCD end mill - neutral



Tolerances:
 $dm_m = h5$
 $D_c = h10$
 ICC=2 straight channels



Part No.	Length index	Tool shape	ICC	Dimensions in mm					c x 45°	z _n	Cylindrical
				D _c	dm _m	l ₂	l ₃	a _p			
JPD890060G2S.0Z2A	2	G	■	6	8	64	20	13	0,1	2	■
JPD890080E2S.0Z2A	2	E	■	8	8	64	20	15	0,1	2	■
JPD890100E2S.0Z2A	2	E	■	10	10	73	30	13	0,1	2	■
JPD890100E3S.0Z2A	3	E	■	10	10	73	30	20	0,1	2	■
JPD890120E2S.0Z2A	2	E	■	12	12	83	30	13	0,1	2	■

■ Stock standard. Subject to change refer to current price- and stock-list.
 ICC = Internal Coolant Channel

Cutting data – JPD890 Slotting

SMG		a_p / D_c	f_z					v_c
			6	8	10	12	16	
TS2	E/A/D	1,0	0,060	0,080	0,10	0,12	0,15	375 (250 – 500)
TS3	E/A/D	1,0	0,060	0,080	0,10	0,12	0,15	205 (135 – 275)
TP2	E/A/D	1,0	0,060	0,080	0,10	0,12	0,15	600 (500 – 700)
TP3	E/A/D	1,0	0,060	0,080	0,10	0,12	0,15	390 (275 – 500)

Cutting data – JPD890 Side milling $a_c/D_c = 0,3$

SMG		a_p / D_c	f_z					v_c
			6	8	10	12	16	
TS2	E/A/D	1,2	0,065	0,085	0,11	0,13	0,16	495 (330 – 660)
TS3	E/A/D	1,2	0,065	0,085	0,11	0,13	0,16	270 (180 – 360)
TP2	E/A/D	1,2	0,065	0,085	0,11	0,13	0,16	790 (660 – 930)
TP3	E/A/D	1,2	0,065	0,085	0,11	0,13	0,16	510 (360 – 660)

SMG = Seco material group

Coolant = A=air D=dry E=emulsion M=mist spray

$v_c = m/min$

$f_z = mm$

$a_p (mm)/D_c (mm) = \text{factor}$

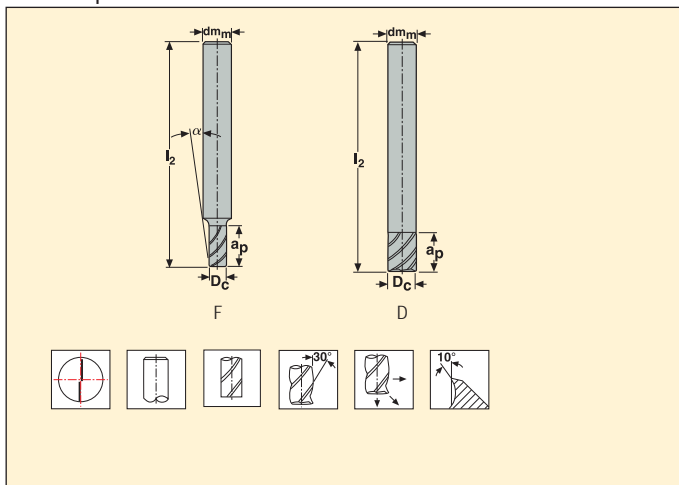
$a_c (mm)/D_c (mm) = \text{factor}$

All cutting data are target values

J99-F/J93-F (uncoated) – Solid carbide end mill – cylindrical – sharp



Tolerances:
 $dm_m = h5$
 $D_c = \varnothing 1-6 = -0,02/-0,04 \text{ mm}$



Part No.	Length index	Tool shape	Dimensions in mm				α°	z_n
			D_c	dm_m	l_2	a_p		
99010-F	1	F	1	3	40	2	7,5	2
99020-F	1	F	2	3	40	4	3,5	2
99030-F	1	D	3	3	40	6	-	2
99040-F	1	D	4	4	50	8	-	2
99050-F	1	D	5	5	50	11	-	2
99060-F	1	D	6	6	50	13	-	2
99080-F	1	D	8	8	50	13	-	2
99100-F	1	D	10	10	50	16	-	2
99120-F	1	D	12	12	65	19	-	2
93015-F	2	D	1,5	3	40	6	4	2
93020-F	2	F	2	3	40	9	2,5	2
93025-F	2	F	2,5	3	40	9	1,5	2
93030-F	2	D	3	3	40	12	-	2
93040-F	2	D	4	4	50	14	-	2
93050-F	2	D	5	5	50	20	-	2
93060-F	2	D	6	6	65	20	-	2
93080-F	2	D	8	8	70	20	-	2
93100-F	2	D	10	10	80	25	-	2
93120-F	2	D	12	12	90	25	-	2
93140-F	2	D	14	14	90	30	1,0	2
93160-F	2	D	16	16	90	30	-	2
93200-F	2	D	20	20	100	35	-	2
93250-F	2	D	25	25	125	40	-	2
93L060-F	3	D	6	6	100	40	-	2
93L080-F	3	D	8	8	100	40	-	2
93L100-F	3	D	10	10	100	40	-	2
93L120-F	3	D	12	12	100	45	-	2
93L140-F	3	D	14	14	100	45	-	2
93L160-F	3	D	16	16	100	45	-	2
93L200-F	3	D	20	20	125	55	-	2
93XL120-F	4	D	12	12	150	30	-	2
93XL160-F	4	D	16	16	150	65	-	2
93XL200-F	4	D	20	20	150	65	-	2

■ Stock standard. Subject to change refer to current price- and stock-list.

Cutting data - J99/J93 Slotting

SMG		a_p / D_c	f_z													v_c
			1	2	3	4	5	6	8	10	12	14	16	20	25	
TS1	A	0,50	0,010	0,020	0,030	0,040	0,050	0,060	0,080	0,10	0,12	0,13	0,15	0,17	0,19	470 (375 — 570)
TP1	A	0,50	0,010	0,020	0,030	0,040	0,050	0,060	0,080	0,10	0,12	0,13	0,15	0,17	0,19	455 (365 — 550)

Cutting data - J99/J93 Side milling $a_e/D_c = 0,4$

SMG		a_p / D_c	f_z													v_c
			1	2	3	4	5	6	8	10	12	14	16	20	25	
TS1	A/D	1,7	0,010	0,020	0,030	0,040	0,050	0,060	0,080	0,10	0,12	0,14	0,15	0,17	0,20	860 (690 — 1025)
TP1	A/D	1,7	0,010	0,020	0,030	0,040	0,050	0,060	0,080	0,10	0,12	0,14	0,15	0,17	0,20	830 (670 — 1000)

SMG = Seco material group

Coolant = A=air D=dry E=emulsion M=mist spray

v_c = m/min

f_z = mm

a_p (mm)/ D_c (mm) = factor

a_e (mm)/ D_c (mm) = factor

All cutting data are target values

Cutting data - J28 Slotting

SMG		a_p / D_c	f_z								v_c
			2	3	4	5	6	8	10	12	
TS1	A/D	1,2	0,020	0,030	0,040	0,050	0,060	0,080	0,10	0,12	410 (310 — 520)

Cutting data - J28 Side milling $a_e/D_c = 0,4$

SMG		a_p / D_c	f_z								v_c
			2	3	4	5	6	8	10	12	
TS1	A/D	1,5	0,020	0,030	0,040	0,050	0,060	0,080	0,10	0,12	490 (365 — 610)

SMG = Seco material group

Coolant = A=air D=dry E=emulsion M=mist spray

v_c = m/min

f_z = mm

a_p (mm)/ D_c (mm)= factor

a_e (mm)/ D_c (mm)= factor

All cutting data are target values



Name		JD620	JD630	JD640	JD660	JD665VL	JD670
Page		300-301	302-303	304-305	306-307	308-309	310-311
Family		Diamond	Diamond	Diamond	Diamond	Diamond	Diamond
Type of mill							
Shank	Cylindrical	■	■	■	■	■	■
	Weldon						
Number of flutes		2	3	4	2	4	3
ICC							
Diameter range	Metric	3-12	3-8	6-12	3-12	6-12	5-10
	Inch						
Lengths available, based on length index		 2,3,4	 1,2,3	 1,2,3	 1,2,3,4	 4	 5,6
Operation							
SMG							
GR		●	●	●	●	●	●

■ Stock standard □ Weldon available, delivery time is 3 days
 ● Preferred choice, ○ Alternative choice

Name		JM600	JM610	JM650	JM655
Page		312-313	314-315	316-317	318-319
Family		Diamond mini	Diamond mini	Diamond mini	Diamond mini
Type of mill					
Shank	Cylindrical	<input checked="" type="checkbox"/>	<input checked="" type="checkbox"/>	<input checked="" type="checkbox"/>	<input checked="" type="checkbox"/>
	Weldon	<input type="checkbox"/>	<input type="checkbox"/>	<input type="checkbox"/>	<input type="checkbox"/>
Number of flutes		2	2	2	2
ICC		<input type="checkbox"/>	<input type="checkbox"/>	<input type="checkbox"/>	<input type="checkbox"/>
Diameter range	Metric	0,2-2	1-2	0,2-2	1-2
	Inch	<input type="checkbox"/>	<input type="checkbox"/>	<input type="checkbox"/>	<input type="checkbox"/>
Lengths available, based on length index		 1,3,5,6	 4,5	 1,3,5,6	 1,3,4,5
Operation		<input checked="" type="checkbox"/>	<input checked="" type="checkbox"/>	<input type="checkbox"/>	<input type="checkbox"/>
		<input checked="" type="checkbox"/>	<input checked="" type="checkbox"/>	<input checked="" type="checkbox"/>	<input checked="" type="checkbox"/>
		<input type="checkbox"/>	<input type="checkbox"/>	<input checked="" type="checkbox"/>	<input type="checkbox"/>
SMG		<input type="checkbox"/>	<input type="checkbox"/>	<input type="checkbox"/>	<input type="checkbox"/>
GR		<input checked="" type="checkbox"/>	<input checked="" type="checkbox"/>	<input checked="" type="checkbox"/>	<input checked="" type="checkbox"/>

Stock standard
 Weldon available, delivery time is 3 days
 Preferred choice, Alternative choice

JD620 – Solid carbide end mill – corner radius



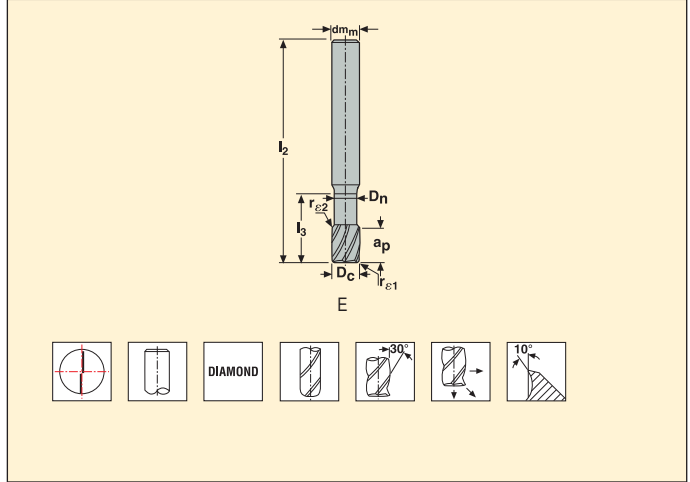
Tolerances:

Runout < 0,01 mm

$dm_m = h5$

$D_c = -0,02 / -0,04$ mm

$r_{\epsilon 1} = \pm 0,05$ mm



Part No.	Length index	Tool shape	Dimensions in mm								Z _n
			D _c	dm _m	a _p	l ₂	l ₃	D _n	r _{ε1}	r _{ε2}	
620V030R050-DIAMOND	2	E	3	3	5	60	30	2,85	0,5	2	2
620V040R050-DIAMOND	2	E	4	4	5	60	30	3,85	0,5	2	2
620V050R050-DIAMOND	2	E	5	5	6	70	35	4,85	0,5	2	2
620V060R050-DIAMOND	2	E	6	6	10	80	40	5,8	0,5	2	2
620V060R100-DIAMOND	2	E	6	6	10	80	40	5,8	1	2	2
620V080R050-DIAMOND	2	E	8	8	10	80	40	7,7	0,5	2	2
620V080R100-DIAMOND	2	E	8	8	10	80	40	7,7	1	2	2
620V100R050-DIAMOND	2	E	10	10	10	80	40	9,7	0,5	2	2
620V100R100-DIAMOND	2	E	10	10	10	80	40	9,7	1	2	2
620V120R050-DIAMOND	2	E	12	12	10	80	40	11,7	0,5	3	2
620V120R100-DIAMOND	2	E	12	12	10	80	40	11,7	1	3	2
620VL030R020-DIAMOND	3	E	3	3	5	80	50	2,9	0,2	2	2
620VL040R020-DIAMOND	3	E	4	4	5	80	50	3,9	0,2	2	2
620VL050R020-DIAMOND	3	E	5	5	6	100	60	4,9	0,2	2	2
620VL060R050-DIAMOND	3	E	6	6	10	100	70	5,8	0,5	2	2
620VL060R100-DIAMOND	3	E	6	6	10	100	70	5,8	1	2	2
620VL080R050-DIAMOND	3	E	8	8	10	100	70	7,8	0,5	2	2
620VL080R100-DIAMOND	3	E	8	8	10	100	70	7,8	1	2	2
620VL100R050-DIAMOND	3	E	10	10	10	100	70	9,8	0,5	2	2
620VL100R100-DIAMOND	3	E	10	10	10	100	70	9,8	1	2	2
620VL120R050-DIAMOND	3	E	12	12	10	100	70	11,8	0,5	3	2
620VL120R100-DIAMOND	3	E	12	12	10	100	70	11,7	1	3	2
620VSL100R100-DIAMOND	4	E	10	10	10	150	100	9,8	1	2	2
620VSL120R100-DIAMOND	4	E	12	12	10	150	100	11,8	1	3	2

Cutting data – JD620 VL Slotting

SMG		a_p / D_c	f_z							v_c
			3	4	5	6	8	10	12	
GR1	D	0,50	0,024	0,032	0,040	0,048	0,065	0,080	0,095	630 (520 – 730)

Cutting data – JD620 VL Side milling $a_e/D_c = 0,5$

SMG		a_p / D_c	f_z							v_c
			3	4	5	6	8	10	12	
GR1	D	0,50	0,024	0,032	0,040	0,048	0,065	0,080	0,095	740 (620 – 870)

SMG = Seco material group

Coolant = A=air D=dry E=emulsion M=mist spray

v_c = m/min

f_z = mm

a_p (mm)/ D_c (mm)= factor

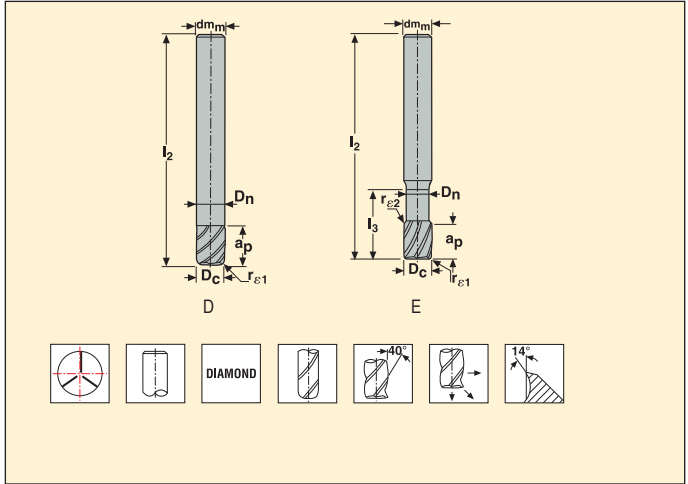
a_e (mm)/ D_c (mm)= factor

All cutting data are target values

JD630 – Solid carbide end mill – corner radius




Tolerances:
 Runout <math>< 0,01\text{ mm}</math>




Part No.	Tool shape	Length index	Dimensions in mm								
			D_c	dm_m	a_p	l_2	l_3	D_n	$r_{\epsilon 1}$	$r_{\epsilon 2}$	z_n
630030R015-DIAMOND	D	2	3	3	12	40	-	-	0,15	-	3
630040R020-DIAMOND	D	2	4	4	14	50	-	-	0,2	-	3
630050R030-DIAMOND	D	2	5	5	16	50	-	-	0,3	-	3
630060R030-DIAMOND	D	2	6	6	20	65	-	-	0,3	-	3
630080R050-DIAMOND	D	2	8	8	20	65	-	-	0,5	-	3
630V030R030-DIAMOND	E	3	3	3	5	40	15	2,9	0,3	2	3
630V040R030-DIAMOND	E	3	4	4	5	50	20	3,9	0,3	2	3
630V050R030-DIAMOND	E	3	5	5	6	50	20	4,9	0,3	2	3
630VL030R020-DIAMOND	E	4	3	3	5	60	25	2,9	0,2	2	3
630VL040R020-DIAMOND	E	4	4	4	5	60	30	3,9	0,2	2	3
630VL050R020-DIAMOND	E	4	5	5	6	70	40	4,9	0,2	2	3
630VL060R050-DIAMOND	E	4	6	6	10	100	60	5,9	0,5	2	3
630VL080R100-DIAMOND	E	4	8	8	10	100	60	7,8	1	2	3

Cutting data – JD630 Slotting

SMG		a_p / D_c	f_z					v_c
			3	4	5	6	8	
GR1	D	0,60	0,024	0,032	0,040	0,048	0,065	630 (530 — 740)

Cutting data – JD630 Side milling $a_e/D_c = 0,5$

SMG		a_p / D_c	f_z					v_c
			3	4	5	6	8	
GR1	D	0,60	0,024	0,032	0,040	0,048	0,065	750 (620 — 870)

SMG = Seco material group

Coolant = A=air D=dry E=emulsion M=mist spray

v_c = m/min

f_z = mm

a_p (mm)/ D_c (mm)= factor

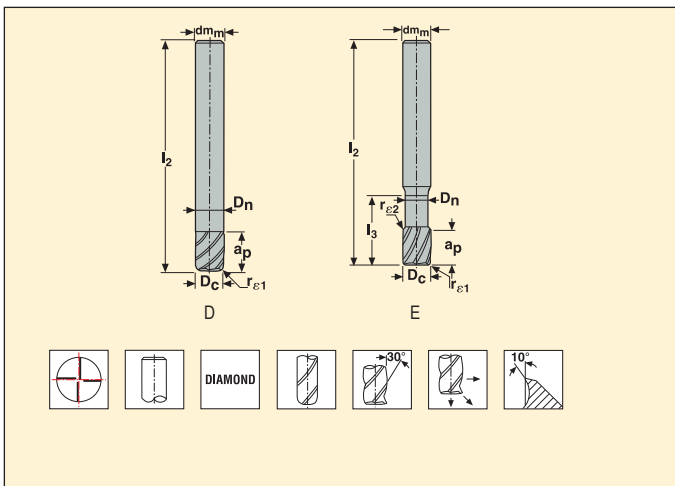
a_e (mm)/ D_c (mm)= factor

All cutting data are target values

JD640 – Solid carbide end mill – corner radius




Tolerances:
 Runout < 0,01 mm
 $dm_m = h5$
 $D_c = -0,02 / -0,04$ mm
 $r_{\epsilon1} = \pm 0,05$ mm




Part No.	Length index	Tool shape	Dimensions in mm								Z _n
			D _c	dm _m	a _p	l ₂	l ₃	D _n	r _{ε1}	r _{ε2}	
640100R050-DIAMOND	2	D	10	10	25	75	–	–	0,5	–	4
640120R050-DIAMOND	2	D	12	12	25	80	–	–	0,5	–	4
640V060R050-DIAMOND	3	E	6	6	10	80	40	5,9	0,5	2	4
640V080R050-DIAMOND	3	E	8	8	10	80	40	7,8	0,5	2	4
640V100R050-DIAMOND	3	E	10	10	12	80	40	9,8	0,5	2	4
640V100R100-DIAMOND	3	E	10	10	12	80	40	9,8	1	2	4
640V120R050-DIAMOND	3	E	12	12	15	80	40	11,8	0,5	2	4
640V120R100-DIAMOND	3	E	12	12	15	80	40	11,8	1	2	4
640VL080R100-DIAMOND	4	E	8	8	10	100	60	7,8	1	2	4
640VL100R050-DIAMOND	4	E	10	10	12	125	80	9,8	0,5	2	4
640VL100R100-DIAMOND	4	E	10	10	12	125	80	9,7	1	2	4
640VL120R050-DIAMOND	4	E	12	12	15	125	80	11,7	0,5	3	4
640VL120R100-DIAMOND	4	E	12	12	15	125	80	11,8	1	2	4

Cutting data – JD640 V Slotting

SMG		a_p / D_c	f_z				v_c
			6	8	10	12	
GR1	D	0,34	0,050	0,065	0,080	0,095	740 (620 — 870)

Cutting data – JD640 V Side milling $a_e/D_c = 0,5$

SMG		a_p / D_c	f_z				v_c
			6	8	10	12	
GR1	D	0,34	0,050	0,065	0,080	0,095	880 (730 — 1025)

SMG = Seco material group

Coolant = A=air D=dry E=emulsion M=mist spray

v_c = m/min

f_z = mm

a_p (mm)/ D_c (mm)= factor

a_e (mm)/ D_c (mm)= factor

All cutting data are target values

JD660 – Solid carbide end mill – ball nose



Tolerances:

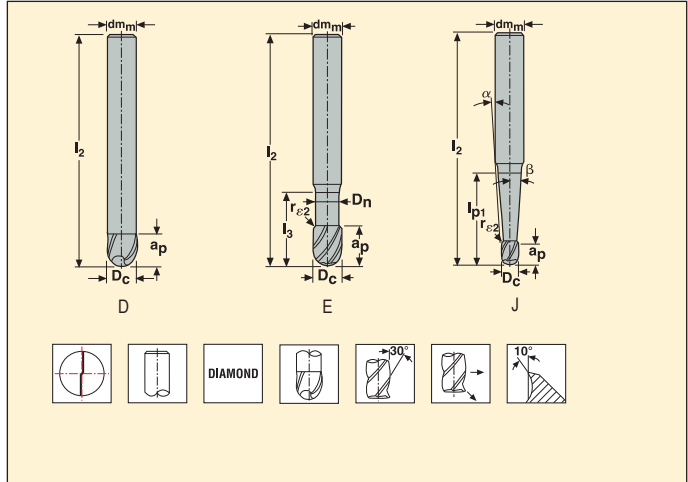
Run-out < 0,01 mm

$dm_m = h5$

$D_c = -0,02/-0,04$ mm

Radius = $\pm 0,01$ mm

$B = 0,9^\circ$



Part No.	Length index	Tool shape	Dimensions in mm									Max. cut depth rel. to $\alpha\eta$ ($\alpha\eta, \text{ref}$)*					
			D_c	dm_m	a_p	l_2	l_{p1}	D_n	r_{e2}	α_1°	z_n	0°	0.5°	1°	1.5°	2°	3°
660030-DIAMOND	1	D	3	3	8	40	–	–	–	–	2	∞	∞	∞	∞	∞	∞
660040-DIAMOND	1	D	4	4	14	50	–	–	–	–	2	∞	∞	∞	∞	∞	∞
660050-DIAMOND	1	D	5	5	20	50	–	–	–	–	2	∞	∞	∞	∞	∞	∞
660060-DIAMOND	1	D	6	6	20	65	–	–	–	–	2	∞	∞	∞	∞	∞	∞
660080-DIAMOND	1	D	8	8	20	65	–	–	–	–	2	∞	∞	∞	∞	∞	∞
660100-DIAMOND	1	D	10	10	25	75	–	–	–	–	2	∞	∞	∞	∞	∞	∞
660V030-DIAMOND	2	E	3	3	6	40	–	2,9	2	–	2	∞	∞	∞	∞	∞	∞
660V040-DIAMOND	2	E	4	4	6	40	–	3,9	2	–	2	∞	∞	∞	∞	∞	∞
660V050-DIAMOND	2	E	5	5	8	40	–	4,9	2	–	2	∞	∞	∞	∞	∞	∞
660V060-DIAMOND	2	E	6	6	10	65	–	5,9	2	–	2	∞	∞	∞	∞	∞	∞
660V080-DIAMOND	2	E	8	8	10	65	–	7,8	2	–	2	∞	∞	∞	∞	∞	∞
660V100-DIAMOND	2	E	10	10	10	75	–	9,8	2	–	2	∞	∞	∞	∞	∞	∞
660V120-DIAMOND	2	E	12	12	10	75	–	11,8	3	–	2	∞	∞	∞	∞	∞	∞
660L030-DIAMOND	3	D	3	3	20	60	–	–	–	–	2	∞	∞	∞	∞	∞	∞
660L040-DIAMOND	3	D	4	4	30	60	–	–	–	–	2	∞	∞	∞	∞	∞	∞
660L050-DIAMOND	3	D	5	5	35	70	–	–	–	–	2	∞	∞	∞	∞	∞	∞
660L060-DIAMOND	3	D	6	6	40	100	–	–	–	–	2	∞	∞	∞	∞	∞	∞
660L080-DIAMOND	3	D	8	8	40	100	–	–	–	–	2	∞	∞	∞	∞	∞	∞
660L100-DIAMOND	3	D	10	10	40	100	–	–	–	–	2	∞	∞	∞	∞	∞	∞
660VL030-DIAMOND	4	E	3	3	6	60	–	2,9	2	–	2	∞	∞	∞	∞	∞	∞
660VL040-DIAMOND	4	E	4	4	6	60	–	3,9	2	–	2	∞	∞	∞	∞	∞	∞
660VL050-DIAMOND	4	E	5	5	8	70	–	4,9	2	–	2	∞	∞	∞	∞	∞	∞
660VL060-DIAMOND	4	E	6	6	10	100	–	5,8	2	–	2	∞	∞	∞	∞	∞	∞
660VL080-DIAMOND	4	E	8	8	10	100	–	7,8	2	–	2	∞	∞	∞	∞	∞	∞
660VL100-DIAMOND	4	E	10	10	10	100	–	9,8	2	–	2	∞	∞	∞	∞	∞	∞
660VL120-DIAMOND	4	E	12	12	10	100	–	11,7	3	–	2	∞	∞	∞	∞	∞	∞
660KL030-DIAMOND	5	J	3	5	6	100	70	2,85	2	1	2	11,7	27	∞	∞	∞	∞
660KL040-DIAMOND	5	J	4	6	8	100	70	3,85	2	1	2	13,7	31,2	∞	∞	∞	∞

* The effective under -neck length for the various draft angles. Remark ∞ = infinity, no collision in projection length area.

Cutting data – JD660 V (2) Side rough milling $a_e/D_c = 0,1$

SMG		a_p / D_c	f_z							v_c
			3	4	5	6	8	10	12	
GR1	D	0,10	0,036	0,048	0,060	0,070	0,095	0,12	0,14	1575 (1325 — 1850)

Cutting data – JD660 V (2) Copy rough milling $a_e/D_c = 0,1$

SMG		a_p / D_c	f_z							v_c
			3	4	5	6	8	10	12	
GR1	D	0,080	0,036	0,048	0,060	0,070	0,095	0,12	0,14	1600 (1325 — 1850)

SMG = Seco material group

Coolant = A=air D=dry E=emulsion M=mist spray

v_c = m/min

f_z = mm

a_p (mm)/ D_c (mm)= factor

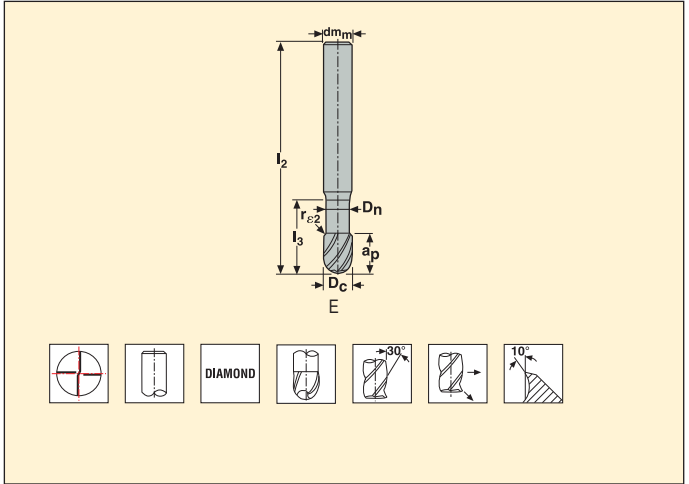
a_e (mm)/ D_c (mm)= factor

All cutting data are target values

JD665 – Solid carbide end mill – Ball nose




Tolerances:
Runout < 0,01 mm
 $dm_m = h5$
 $D_c = -0,02 / -0,04$ mm
Radius = $\pm 0,01$ mm



Part No.	Length index	Tool shape	Dimensions in mm							Z_n
			D_c	dm_m	a_p	l_2	l_3	D_n	$r_{\epsilon 2}$	
665VL060-DIAMOND	4	E	6	6	10	100	70	5,8	2	4
665VL080-DIAMOND	4	E	8	8	10	100	70	7,8	2	4
665VL100-DIAMOND	4	E	10	10	10	100	70	9,8	2	4
665VL120-DIAMOND	4	E	12	12	10	100	70	11,8	3	4

Cutting data – JD665 VL Copy rough milling $a_e/D_c = 0,1$

SMG		a_p / D_c	f_z				v_c
			6	8	10	12	
GR1	D	0,10	0,070	0,095	0,12	0,14	1500 (1250 — 1750)

SMG = Seco material group

Coolant = A=air D=dry E=emulsion M=mist spray

v_c = m/min

f_z = mm

a_p (mm)/ D_c (mm)= factor

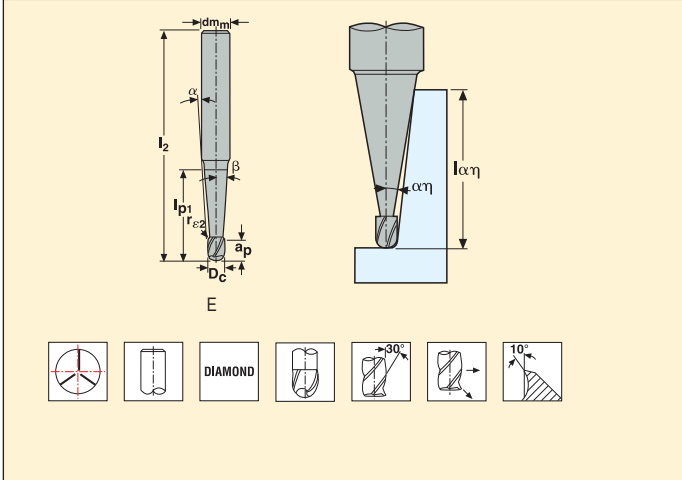
a_e (mm)/ D_c (mm)= factor

All cutting data are target values

JD670 – Solid carbide end mill – Ball nose




Tolerances:
 Runout<0,01 mm
 $dm_m=h5$
 $D_c = -0,02/-0,04$ mm
 Radius= $\pm 0,01$ mm




Part No.	Length index	Tool shape	Dimensions in mm										Max. cut depth rel. to α_η (α_η, ref)*					
			D_c	dm_m	a_p	l_2	l_3	D_n	$r_{\epsilon 2}$	z_n	0°	0.5°	1°	1.5°	2°	3°		
											∞	∞	∞	∞	∞	∞		
670KL050-DIAMOND	5	E	5	6	10	100	50	4,85	2	3	15,7	35,5	∞	∞	∞	∞		
670KL060-DIAMOND	5	E	6	8	10	100	70	5,7	2	3	21	48,2	∞	∞	∞	∞		
670KSL080-DIAMOND	6	E	8	10	10	150	70	7,7	2	3	21	46,7	∞	∞	∞	∞		
670KSL100-DIAMOND	6	E	10	12	10	150	70	9,7	2	3	21	45,2	∞	∞	∞	∞		

* The effective under -neck length for the various draft angles. Remark ∞ = infinity, no collision in projection length area.


Cutting data – JD670 KL (5) Copy finishing milling $a_e/D_c = 0,2$

SMG		a_p / D_c	f_z		v_c
			5	6	
GR1	D	0,30	0,090	0,12	1625 (1350 — 1875)


Cutting data – JD670 KL (5) Copy rough milling $a_e/D_c = 0,3$

SMG		a_p / D_c	f_z		v_c
			5	6	
GR1	D	0,30	0,050	0,065	1000 (840 — 1175)

Cutting data – JD670 KSL (6) Copy finishing milling $a_e/D_c = 0,2$

SMG		a_p / D_c	f_z			v_c
			6	8	10	
GR1	D	0,30	0,12	0,16	0,20	1625 (1350 — 1875)

Cutting data – JD670 KSL (6) Copy rough milling $a_e/D_c = 0,3$

SMG		a_p / D_c	f_z			v_c
			6	8	10	
GR1	D	0,30	0,065	0,085	0,11	1000 (840 — 1175)

SMG = Seco material group

Coolant = A=air D=dry E=emulsion M=mist spray

v_c = m/min

f_z = mm

a_p (mm)/ D_c (mm) = factor

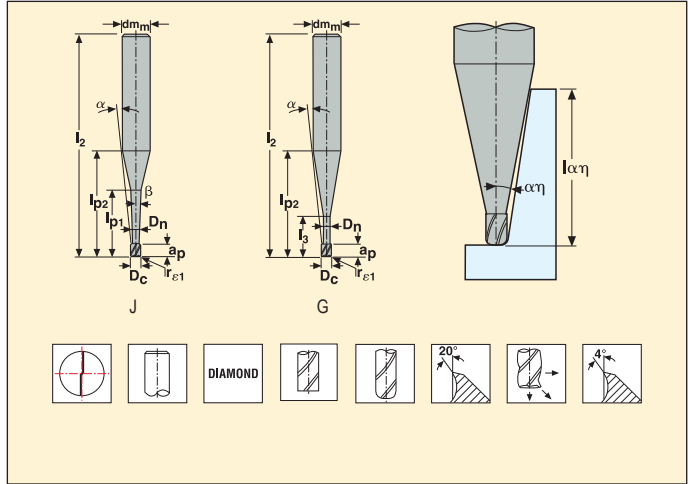
a_e (mm)/ D_c (mm) = factor

All cutting data are target values

JM600 – Solid carbide end mill – sharp or corner radius



Tolerances:
 Runout < 0,005 mm
 $dm_m = h5$
 $D_c = -0,01 / -0,02$ mm
 $r_{e1} = \pm 0,02$ mm



Part No.	Length index	Tool shape	Dimensions in mm									Max. cut depth rel. to α_η (α_η , ref)*					
			D_c	dm_m	a_p	l_2	l_3	D_n	r_{e1}	l_{p2}	z_n	0°	0.5°	1°	1.5°	2°	3°
600002-DIAMOND	1	J	0,2	3	0,3	40	–	–	0	5,7	2	0,3	0,5	0,5	0,5	0,5	0,6
600003-DIAMOND	1	J	0,3	3	0,45	40	–	–	0	5,6	2	0,45	0,6	0,6	0,7	0,7	0,8
600004-DIAMOND	1	J	0,4	3	0,6	40	–	–	0	5,6	2	0,6	0,8	0,8	0,8	0,9	0,9
600L005-DIAMOND	3	G	0,5	3	0,7	40	2,5	0,45	0,05	7,4	2	2,3	2,8	2,5	2,5	2,6	2,9
600L006-DIAMOND	3	G	0,6	3	0,9	40	3	0,55	0,05	7,7	2	2,8	2,9	3	3,1	3,2	3,5
600L008-DIAMOND	3	G	0,8	3	1,2	40	4	0,75	0,05	8,3	2	3,8	3,9	4,1	4,2	4,4	4,7
600L010-DIAMOND	3	G	1	3	1,5	40	5	0,95	0,1	8,9	2	4,8	5	5,1	5,3	5,5	5,9
600L012-DIAMOND	3	G	1,2	3	1,8	50	6	1,15	0,1	9,5	2	5,8	6	6,2	6,4	6,7	7,2
600L015-DIAMOND	3	G	1,5	3	2,2	50	7,5	1,4	0,15	10,6	2	7,4	7,6	7,9	8,2	8,5	9,2
600L020-DIAMOND	3	G	2	3	2,2	60	10	1,9	0,15	12,1	2	9,9	10,2	10,6	10,9	11,4	∞
600XL005-DIAMOND	5	G	0,5	3	0,7	40	4	0,45	0,05	8,9	2	3,8	3,9	4,1	4,2	4,4	4,7
600XL006-DIAMOND	5	G	0,6	3	0,9	40	5	0,55	0,05	9,7	2	4,8	5	5,1	5,3	5,5	6
600XL008-DIAMOND	5	G	0,8	3	1,2	40	7	0,75	0,05	11,3	2	6,8	7	7,3	7,5	7,8	8,4
600XL010-DIAMOND	5	G	1	3	1,5	40	8,5	0,95	0,1	12,4	2	8,3	8,6	8,9	9,2	9,5	10,3
600XL012-DIAMOND	5	G	1,2	3	1,8	50	10	1,15	0,1	13,5	2	9,8	10,1	10,5	10,8	11,3	12,2
600XL015-DIAMOND	5	G	1,5	3	2,2	50	12	1,4	0,15	15,1	2	11,9	12,3	12,7	13,2	13,7	∞
600XL020-DIAMOND	5	G	2	3	2,2	60	16	1,9	0,15	18,1	2	15,9	16,4	17	17,6	∞	∞
600SL010-DIAMOND	6	G	1	3	1,5	40	12	0,95	0,1	15,9	2	11,8	12,2	12,6	13,1	13,6	14,6
600SL015-DIAMOND	6	G	1,5	3	2,2	50	18	1,4	0,15	21,1	2	17,9	18,5	19,1	19,8	20,6	∞
600SL020-DIAMOND	6	G	2	3	2,2	60	25	1,9	0,15	27,1	2	24,9	25,7	26,6	∞	∞	∞
600SL021-DIAMOND	6	G	2	3	5	70	30	1,9	0,5	32,1	2	29,9	30,9	∞	∞	∞	∞

* The effective under -neck length for the various draft angles. Remark ∞ = infinity, no collision in projection length area.

Cutting data – JM600 Slotting

SMG		a_p / D_c	f_z										v_c
			0.2	0.3	0.4	0.5	0.6	0.8	1	1.2	1.5	2	
GR1	D	0,50	0,0020	0,0030	0,0040	0,0050	0,0060	0,0080	0,010	0,012	0,014	0,017	305 (255 — 355)

Cutting data – JM600 Side milling $a_e/D_c = 0,5$

SMG		a_p / D_c	f_z										v_c
			0.2	0.3	0.4	0.5	0.6	0.8	1	1.2	1.5	2	
GR1	D	0,50	0,0020	0,0030	0,0040	0,0050	0,0060	0,0080	0,010	0,012	0,014	0,017	375 (310 — 435)

SMG = Seco material group

Coolant = A=air D=dry E=emulsion M=mist spray

v_c = m/min


f_z = mm

a_p (mm)/ D_c (mm)= factor


a_e (mm)/ D_c (mm)= factor

All cutting data are target values


Cutting data – JM610 KXL (4) Slotting

SMG		a_p / D_c	f_z			v_c
			1	1.5	2	
GR1	D	0,10	0,010	0,014	0,017	350 (295 — 410)


Cutting data – JM610 KXL (4) Side milling $a_e/D_c = 0,2$

SMG		a_p / D_c	f_z			v_c
			1	1.5	2	
GR1	D	0,10	0,012	0,018	0,022	475 (395 — 560)

Cutting data – JM610 KSL (5) Slotting

SMG		a_p / D_c	f_z			v_c
			1	1.5	2	
GR1	D	0,10	0,010	0,014	0,017	350 (295 — 410)

Cutting data – JM610 KSL (5) Side milling $a_e/D_c = 0,2$

SMG		a_p / D_c	f_z			v_c
			1	1.5	2	
GR1	D	0,10	0,012	0,018	0,022	475 (395 — 560)

SMG = Seco material group

Coolant = A=air D=dry E=emulsion M=mist spray

v_c = m/min

f_z = mm

a_p (mm)/ D_c (mm)= factor

a_e (mm)/ D_c (mm)= factor

All cutting data are target values

Cutting data – JM650 Side milling $a_e/D_c = 0,5$

SMG		a_p / D_c	f_z										v_c
			0.2	0.3	0.4	0.5	0.6	0.8	1	1.2	1.5	2	
GR1	D	0,50	0,0017	0,0026	0,0036	0,0048	0,0060	0,0085	0,012	0,014	0,017	0,020	490 (410 — 570)

Cutting data – JM650 Copy milling $a_e/D_c = 0,5$

SMG		a_p / D_c	f_z										v_c
			0.2	0.3	0.4	0.5	0.6	0.8	1	1.2	1.5	2	
GR1	D	0,50	0,0017	0,0026	0,0036	0,0048	0,0060	0,0085	0,012	0,014	0,017	0,020	490 (410 — 570)

SMG = Seco material group

Coolant = A=air D=dry E=emulsion M=mist spray

v_c = m/min


f_z = mm

a_p (mm)/ D_c (mm)= factor

a_e (mm)/ D_c (mm)= factor

All cutting data are target values

Cutting data – JM655 Side milling roughing $a_e/D_c = 0,5$

SMG		a_p / D_c	f_z			v_c
			1	1.5	2	
GR1	D	0,50	0,0095	0,015	0,020	485 (405 — 570)

SMG = Seco material group

Coolant = A=air D=dry E=emulsion M=mist spray

v_c = m/min

f_z = mm

a_p (mm)/ D_c (mm) = factor

a_e (mm)/ D_c (mm) = factor

All cutting data are target values

Recalculation (all values are percentages of original (100%) cutting data.)

STRAIGHT	Use original standard version side rough cutting data then recalculate parameters!									Use original standard version slotting cutting data then recalculate parameters!						
	Slotting		Side Rough			Side Finish				Ramping		Helical		Drilling		
	a_p	f_z	a_e	f_z	a_p	v_c	a_e (% of D_c)	f_z	a_p	a_p	f_z	f_z	$a_p/360^\circ$ (% of D_c)	hole ϕ (\geq % of D_c)	f_z	a_p (% of D_c)
JS512 Standard (2) L (3) XL (4)	100	100	100	100	100	110	3	65	125	40	40	100	3	130	40	40
	30	100	25	50	170	110	3	65	210	X	X	X	X	X	X	X
	X	X	X	X	X	70	3	65	290	X	X	X	X	X	X	X
$\leq 5^\circ$																
JS513 Standard (2) L (3) XL (4)	100	100	100	100	100	110	3	85	150	100	100	100	3	130	50	40
	30	100	30	50	200	110	3	85	250	X	X	X	X	X	X	X
	X	X	X	X	X	70	3	85	350	X	X	X	X	X	X	X
$\leq 5^\circ$																
JS514 Standard (2) L (3) XL (4)	100	100	100	100	100	110	3	60	150	100	100	100	3	130	X	X
	X	X	25	50	200	110	3	60	250	X	X	X	X	X	X	X
	X	X	X	X	X	70	3	60	350	X	X	X	X	X	X	X
$\leq 45^\circ$																
JS553 Standard (2) L (3)	100	100	100	100	100	110	3	55	150	50	55	35	3	130	35	50
	40	60	40	105	200	110	3	55	250	50	15	35	3	130	35	50
	$\leq 5^\circ$															
JS554 Standard (2) L (3)	100	100	100	100	100	110	3	55	150	100	100	100	3	130	X	X
	40	60	38	105	200	110	3	55	250	50	50	60	3	130	X	X
	$\leq 30^\circ$															
JS412 (2)	100	100	100	100	100	140	3	40	120	80	100	50	10	130	50	100
$\leq 10^\circ$																
JS413 (2) L (3)	100	100	100	100	100	150	3	40	120	70	50	50	10	130	X	X
	X	X	25	60	240	120	3	40	230	70	50	50	10	130	X	X
$\leq 30^\circ$																
JS452 (2)	100	100	100	100	100	140	3	35	120	70	100	50	10	130	50	100
$\leq 10^\circ$																
JS453 (2) L (3)	100	100	100	100	100	140	3	35	120	70	50	50	10	130	20	10
	X	X	25	60	240	120	3	40	230	70	70	50	10	130	20	10

Recalculation (all values are percentages of original (100%) cutting data.)

STRAIGHT	Use original standard version side rough cutting data then recalculate parameters!									Use original standard version slotting cutting data then recalculate parameters!						
	Slotting		Side Rough			Side Finish				Ramping		Helical		Drilling		
	a_p	f_z	a_e	f_z	a_p	v_c	a_e (% of D_0)	f_z	a_p	a_p	f_z	f_z	$a_p/360^\circ$ (% of D_0)	hole ϕ (\pm % of D_0)	f_z	a_p (% of D_0)
JS520 Standard (2) L (3)	X	X	100	100	100	133	2	65	100	X	X	X	X	X	X	X
	X	X	X	X	X	133	2	65	175	X	X	X	X	X	X	X
									$\leq 0^\circ$							
JS522 (4)	X	X	100	100	100	129	2	140	100	X	X	X	X	X	X	X
									$\leq 20^\circ$							
J93-F / J99-F Standard (2)	100	100	100	100	100	133	3	40	100	100	100	100	3	130	25	30
									$\leq 45^\circ$							
J28 Standard (2)	100	100	100	100	100	140	3	100	135	40	25	100	10	130	25	60
									$\leq 5^\circ$							
J94 Standard (2) L (3)	100 60	100 60	100 60	100 70	100 100	135 135	3 3	70 70	100	100 60	100 60	100 60	3 3	130 130	40 40	30 30
									$\leq X^\circ$							
J36 Standard (2)	X	X	100	100	100	120	3	85	150	X	X	X	X	X	X	X
									$\leq 0^\circ$							
JH910 Standard (2) L (3)	100 80	100 80	100 100	100 80	100 80	125 125	4 4	100 80	80	15 10	140 110	140 110	3 3	130 130	X X	X X
									$\leq 0^\circ$							
JH 930 Standard (2)	X	X	100	100	100	125	2	30	100	X	X	X	X	X	X	X
									$\leq 0^\circ$							
JH 130 Standard (2)	X	X	100	100	100	120	3	120	80	X	X	X	X	X	X	X

Recalculation (all values are percentages of original (100%) cutting data.)

STRAIGHT	Use original standard version side rough cutting data then recalculate parameters!									Use original standard version slotting cutting data then recalculate parameters!						
	Slotting		Side Rough			Side Finish				Ramping		Helical		Drilling		
	a_p	f_z	a_e	f_z	a_p	v_c	$a_p/360^\circ$ (% of D_c)	f_z	a_p	a_p	f_z	f_z	$a_p/360^\circ$ (% of D_c)	hole ϕ (\geq % of D_c)	f_z	a_p (% of D_c)
JH410 Standard (2) TL (2) RS (2) ML (2) L (3) L-RS (3)	100	100	100	100	100	125	2	25	100	100	67	67	40	130	67	80
	125	100	100	100	100	100	2	100	100	100	50	100	40	130	150	80
	125	100	100	100	100	100	2	100	100	100	50	100	40	130	150	80
	75	60	80	60	100	125	2	25	100	60	40	40	40	130	40	50
	50	35	50	40	100	125	2	10	100	40	30	30	40	130	30	30
	95	95	80	100	100	100	2	100	100	50	50	50	40	130	75	40
									$\leq 5^\circ$							
JH40 Standard (2) K (1)	100	100	100	100	100	100	3	35	100	83	55	55	25	130	55	80
	100	100	100	100	100	100	3	35	100	83	55	55	25	130	55	80
									$\leq 45^\circ$							
JH421 Standard (2) L (3)	100	100	100	100	100	100	4	35	100	100	100	100	25	130	45	80
	60	60	100	60	60	100	4	20	60	60	60	60	15	130	45	80
									$\leq 30^\circ$							
JH440 Standard (2)	100	100	100	100	100	125	3	40	100	100	100	100	5	130	X	X
									$\leq 45^\circ$							
JH820 Standard (2)	100	100	100	100	100	110	3	110	80	9	135	135	3	130	X	X
									$\leq 45^\circ$							
JH830 Standard (2)	100	100	100	100	100	110	3	110	80	9	135	135	3	130	X	X
									$\leq 1^\circ$							
JH120 Standard (2)	100	100	100	100	100	120	3	120	80	17	100	100	2	130	X	X

Recalculation (all values are percentages of original (100%) cutting data.)

STRAIGHT	Use original standard version side rough cutting data then recalculate parameters!									Use original standard version slotting cutting data then recalculate parameters!						
	Slotting		Side Rough			Side Finish				Ramping		Helical			Drilling	
	a_p	f_z	a_e	f_z	a_p	V_c	a_e (% of D_c)	f_z	a_p	a_p	f_z	f_z	$a_p/360^\circ$ (% of D_c)	hole ϕ (\geq % of D_c)	f_z	a_p (% of D_c)
										$\leq 5^\circ$						
JM905-920 Standard (1)	100	100	100	100	100	125	2	150	5	X	X	X	X	X	X	X
ML (2)	65	100	100	100	65	125	2	150	3	X	X	X	X	X	X	X
L (3)	25	100	100	100	25	125	2	150	1	X	X	X	X	X	X	X
TL (3)	20	100	100	100	20	125	2	150	1	X	X	X	X	X	X	X
XL (4)	10	100	100	100	10	125	2	150	1	X	X	X	X	X	X	X
SL (4)	10	100	100	100	10	125	2	150	1	X	X	X	X	X	X	X
XXL (5)	5	100	100	100	5	125	2	150	1	X	X	X	X	X	X	X
XSL (6)	2	100	100	100	2	125	2	150	1	X	X	X	X	X	X	X
JM103-104-106 Standard (1)	100	100	100	100	100	100	5	71	800	X	X	X	X	X	X	X
ML (2)	85	85	56	86	86	100	4	60	680	X	X	X	X	X	X	X
L (3)	75	75	56	74	76	100	4	54	600	X	X	X	X	X	X	X
TL (3)	60	60	45	60	60	100	3	43	480	X	X	X	X	X	X	X
XL (4)	50	50	38	50	50	100	3	37	400	X	X	X	X	X	X	X
XXL (5)	40	40	30	40	40	100	2	29	320	X	X	X	X	X	X	X
JM403-404-406 Standard (1)	100	100	100	100	100	X	X	X	X	X	X	X	X	X	X	X
ML (2)	100	75	100	75	100	X	X	X	X	X	X	X	X	X	X	X
L (3)	100	75	100	75	90	X	X	X	X	X	X	X	X	X	X	X
TL (3)	90	75	100	75	70	X	X	X	X	X	X	X	X	X	X	X
XL (4)	75	75	100	75	70	X	X	X	X	X	X	X	X	X	X	X
SL (4)	75	75	100	75	45	X	X	X	X	X	X	X	X	X	X	X
XXL (5)	50	50	100	50	30	X	X	X	X	X	X	X	X	X	X	X
JHP993 Standard (2)	100	100	100	100	100	X	X	X	X	30	100	100	3	130	4	40
L (3)	80	80	80	80	80	X	X	X	X	20	80	80	3	130	3	30
JHP951 Standard (2)	100	100	100	100	100	158	2	50	113	$\leq 5^\circ$						
										20	100	125	3	130	6	20
JHP750 Standard (2)	100	100	100	100	100	100	2	145	100	$\leq 5^\circ$						
K (1)	115	120	115	115	100	100	2	145	100	100	100	100	3	130	10	60
										100	120	120	3	130	10	70

Recalculation (all values are percentages of original (100%) cutting data.)

STRAIGHT	Use original standard version side rough cutting data then recalculate parameters!									Use original standard version slotting cutting data then recalculate parameters!						
	Slotting		Side Rough			Side Finish				Ramping		Helical			Drilling	
	a_p	f_z	a_e	f_z	a_p	v_c	a_p (% of D_0)	f_z	a_p	a_p	f_z	a_p (% of D_0)	hole \varnothing (\approx % of D_0)	f_z	a_p (% of D_0)	
$\leq 5^\circ$																
JHP760 Standard (2) L (3)	100 50	100 50	100 100	100 50	100 50	140 140	2 2	125 125	15 15	30 15	100 50	100 50	3 3	130 130	10 5	50 25
$\leq 15^\circ$																
JHP770 Standard (2)	100	100	100	100	100	170	3	125	100	100	40	40	3	130	X	X
$\leq 5^\circ$																
JHP780 Standard (2)	100	100	100	100	100	160	2	135	140	100	100	35	3	130	35	50
$\leq 1^\circ$																
JHP170 Standard (2)	100	100	100	100	100	130	3	175	80	100	100	100	2	130	X	X
$\leq 30^\circ$																
JHP490 Standard (2) V (2) VL (3) VXL (4)	100 100 100 150	100 75 75 75	100 100 80 80	100 100 100 100	100 100 100 100	X X X X	X X X X	X X X X	X X X X	50 50 50 50	50 50 50 50	35 35 35 35	5 5 5 5	130 130 130 130	30 30 30 30	50 50 50 50
$\leq 5^\circ$																
JD620 Standard (2) VL (3) VSL (4)	100 100 20	100 100 100	100 100 60	100 100 100	100 100 60	100 100 100	2 2 2	110 110 110	4 4 4	X X X	X X X	X X X	X X X	X X X	X X X	X X X
$\leq 5^\circ$																
JD630 Standard (2) V (3) VL (4)	100 100 100	100 100 100	100 100 100	100 100 100	100 100 100	100 100 100	2 2 2	110 110 110	4 4 4	X X X	X X X	X X X	X X X	X X X	X X X	X X X
$\leq 5^\circ$																
JD640 Standard (2) V (3) VL (4)	100 100 100	100 100 100	100 100 100	100 100 100	100 100 100	100 100 100	2 2 2	110 110 110	4 4 4	X X X	X X X	X X X	X X X	X X X	X X X	X X X
$\leq 5^\circ$																
JM600 Standard (2) L (3) XL (5) SL (6)	100 100 30 30	100 100 100 100	100 100 60 60	100 100 100 100	100 100 100 100	100 100 100 100	2 2 2 2	85 85 85 85	200 200 200 200	X X X X	X X X X	X X X X	X X X X	X X X X	X X X X	X X X X
$\leq 5^\circ$																
JM610 KXL (4) KSL (5)	100 100	100 100	100 100	100 100	100 100	100 100	2 2	85 85	1000 1000	X X	X X	X X	X X	X X	X X	X X

Recalculation (all values are percentages of original (100%) cutting data.)

STRAIGHT	Use original standard version side rough cutting data then recalculate parameters!									Use original standard version slotting cutting data then recalculate parameters!																	
	Slotting		Side Rough			Side Finish				Ramping		Helical			Plunging												
	a_p	f_z	a_e	f_z	a_p	v_c	a_e (% of D_c)	f_z	a_p		a_p	f_z	f_z	$a_p/360^\circ$ (% of D_c)	hole ϕ ($\geq 2\%$ of D_c)	v_c	a_e (% of D_c)	f_z	a_{r-sd} (% of D_{ca})								
										$\leq 1,5^\circ$																	
JHF980 K+ Standard (1,2)										100	100	100	100	100	X	X	X	X	100	100	100	3,0	130	70	30	33	200
ML (2)										80	85	100	85	80	X	X	X	X	80	85	85	3,0	130	70	30	33	200
TL (3)										60	70	100	70	60	X	X	X	X	60	70	70	3,0	130	70	30	33	200
										$\leq 1,5^\circ$																	
JHF180 Standard (1)										100	100	100	100	100	X	X	X	X	100	100	100	3,4	130	X	X	X	X
ML (2)										80	85	100	85	80	X	X	X	X	80	85	85	2,8	130	X	X	X	X
L (3)										60	70	100	70	60	X	X	X	X	60	70	70	2,1	125	X	X	X	X
TL (3)										40	50	100	50	40	X	X	X	X	40	50	50	1,4	120	X	X	X	X

Recalculation (all values are percentages of original (100%) cutting data.)

BALL	Use original standard version side rough cutting data then recalculate parameters!									Use original standard version slotting cutting data then recalculate parameters!						
	Slotting		Side Rough			Side Finish				Ramping		Helical		Drilling		
	a_p	f_z	a_e	f_z	a_p	v_c	a_e (% of D_0)	f_z	a_p	a_p	f_z	f_z	$a_p/360^\circ$ (% of D_0)	hole \varnothing (% of D_0)	f_z	a_p (% of D_0)
JS532 Standard (1) L (2) XL (3)	X	X	100	100	100	125	3	125	10	X	X	75	5	130	X	X
	X	X	70	100	70	125	3	125	10	X	X	75	5	130	X	X
	X	X	X	X	X	125	3	125	10	X	X	X	X	X	X	X
JS533 Standard (1) L (2)	X	X	100	100	100	125	3	125	15	X	X	75	5	130	X	X
	X	X	75	75	75	125	3	125	15	X	X	75	5	130	X	X
JS534 Standard (1) L (2) XL (3)	X	X	100	100	100	125	3	170	20	X	X	100	3	130	X	X
	X	X	70	100	70	125	3	170	20	X	X	100	3	130	X	X
	X	X	70	100	70	125	3	170	20	X	X	100	3	130	X	X
TDM Standard (2)	X	X	100	100	100	125	3	100	25	X	X	40	3	130	X	X
JH970 Standard (2)	X	X	100	100	100	155	2	30	15	X	X	40	3	130	X	X
JH720 Standard (2)	X	X	100	100	100	125	2	90	75	X	X	40	3	130	X	X
JH111 Standard (3) K (1) L (4) VL (4) VXL (5)	X	X	100	100	100	165	1	70	20	X	X	20	2	130	X	X
	X	X	100	100	100	165	1	70	20	X	X	20	2	130	X	X
	X	X	80	80	100	165	1	55	20	X	X	X	X	X	X	X
	X	X	70	70	100	165	1	50	20	X	X	X	X	X	X	X
	X	X	50	50	100	165	0.5	35	20	X	X	X	X	X	X	X
JH150 Standard	X	X	100	100	100	165	1	90	35	X	X	30	2	130	X	X

Recalculation (all values are percentages of original (100%) cutting data.)

BALL	Use original standard version side rough cutting data then recalculate parameters!									Use original standard version slotting cutting data then recalculate parameters!								
	Slotting		Side Rough			Side Finish				Ramping		Helical			Drilling			
	a_p	f_z	a_e	f_z	a_p	v_c	a_p (% of D_c)	f_z	a_p	a_p	f_z	f_z	$a_p/360^\circ$ (% of D_c)	hole ϕ (\geq % of D_c)	f_z	a_p (% of D_c)		
JH160 Standard (2)	X	X	X	X	X	X	X	X	X	X	X	X	X	X	X	X		
JH450 Standard (2)	X	X	100	100	100	120	5	90	25	≤ 30		250	45	45	5	130	X	X
JH460 Standard (2)	X	X	100	100	100	120	5	90	25	X	X	X	X	X	X	X	X	X
JM915-925 Standard (1)	100	100	100	100	100	125	2	150	5	X	X	X	X	X	X	X	X	X
ML (2)	65	100	100	100	60	125	2	150	3	X	X	X	X	X	X	X	X	X
L (3)	25	100	100	100	25	125	2	150	1	X	X	X	X	X	X	X	X	X
TL (3)	20	100	100	100	20	125	2	150	1	X	X	X	X	X	X	X	X	X
XL (4)	12	100	100	100	12	125	2	150	1	X	X	X	X	X	X	X	X	X
SL (4)	10	100	100	100	10	125	2	150	0,5	X	X	X	X	X	X	X	X	X
XXL (5)	4	100	100	100	1	125	2	150	0,2	X	X	X	X	X	X	X	X	X
XSL (6)	3	100	100	100	2	125	2	150	0,2	X	X	X	X	X	X	X	X	X
JM113-114-116 Standard (1)	X	X	100	100	100	118	2	100	35	X	X	X	X	X	X	X	X	X
ML(2)	X	X	65	85	85	118	2	100	35	X	X	X	X	X	X	X	X	X
L (3)	X	X	55	75	75	118	2	90	35	X	X	X	X	X	X	X	X	X
XL (5)	X	X	35	50	50	118	2	100	35	X	X	X	X	X	X	X	X	X
JM413-414-416 Standard (1)	X	X	100	100	100	100	5	40	35	X	X	X	X	X	X	X	X	X
ML(2)	X	X	100	60	100	100	5	40	15	X	X	X	X	X	X	X	X	X
L (3)	X	X	100	80	100	100	5	40	15	X	X	X	X	X	X	X	X	X
XL (5)	X	X	100	60	75	100	5	40	10	X	X	X	X	X	X	X	X	X
JD660 Standard (1)	X	X	100	100	100	100	2	100	100	X	X	X	X	X	X	X	X	X
L (3)	X	X	100	100	100	100	2	100	100	X	X	X	X	X	X	X	X	X
V (2)	X	X	100	100	100	100	2	100	100	X	X	X	X	X	X	X	X	X
VL (4)	X	X	100	100	100	100	2	100	100	X	X	X	X	X	X	X	X	X
KL (5)	X	X	100	100	100	100	2	100	100	X	X	X	X	X	X	X	X	X

Recalculation (all values are percentages of original (100%) cutting data.)

BALL	Use original standard version side rough cutting data then recalculate parameters!									Use original standard version slotting cutting data then recalculate parameters!						
	Slotting		Side Rough			Side Finish				Ramping		Helical			Drilling	
	a_p	f_z	a_e	f_z	a_p	v_c	a_e (% of D_2)	f_z	a_p	a_p	f_z	f_z	$a_p/360^\circ$ (% of D_2)	hole ϕ (% of D_2)	f_z	a_p (% of D_2)
JD665 (4)	X	X	100	100	100	100	2	50	20	X	X	X	X	X	X	X
JD670 KL (5) KSL (6)	X X	X X	100 100	100 100	100 100	100 100	2 2	110 110	7 7	X X	X X	X X	X X	X X	X X	X X
JM650 Standard (1) L (3) KXL (4) KSL (5)	100 100 30 30	100 100 100 100	100 100 60 60	100 100 100 100	100 100 100 100	100 100 100 100	2 2 2 2	125 125 125 125	4 4 4 4	X X X X	X X X X	X X X X	X X X X	X X X X	X X X X	X X X X
JM655 Standard (1) L (3) KXL (4) KSL (5)	100 100 20 20	100 100 100 100	100 100 40 40	100 100 100 100	100 100 20 20	100 100 100 100	2 2 2 2	125 125 125 125	4 4 4 4	X X X X	X X X X	X X X X	X X X X	X X X X	X X X X	X X X X

Nomenclature and formulae

RPM

$$n = \frac{V_c \cdot 1000}{\pi \cdot D_c} \quad (\text{rev/min})$$

Cutting speed

$$V_c = \frac{n \cdot \pi \cdot D_c}{1000} \quad (\text{m/min})$$

Feed speed

$$V_f = n \cdot Z_n \cdot f_z \quad (\text{mm/min})$$

Feed per revolution

$$f = Z_n \cdot f_z \quad (\text{mm/rev})$$

Metal removal rate

$$Q = \frac{a_e \cdot a_p \cdot V_f}{1000} \quad (\text{cm}^3/\text{min})$$

Cutting speed and RPM for copying

$$V_c = \frac{n \cdot \pi \cdot D_w}{1000} \quad (\text{m/min})$$

$$n = \frac{V_c \cdot 1000}{\pi \cdot D_w} \quad (\text{RPM})$$

$$D_w = 2 \cdot \sqrt{a_p (D_c - a_p)} \quad (\text{mm})$$

Calculation of a_p vs. overhang length :

If the overhang length (XS) is longer than $4 \times D_c$ and Cylindrical shanks are used it is important to adopt another depth of cut (a_p) value than that indicated in the table.

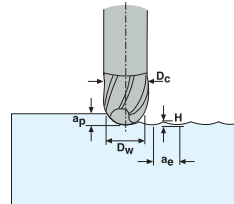
Use the following formula to calculate the new a_p value

$$a_p = a_p \cdot (4 \cdot D_c / X_s)^2$$

Profile height

$$H = \frac{D_c}{2} - \frac{\sqrt{D_c^2 - a_e^2}}{2}$$

$$D_w = 2 \cdot \sqrt{a_p (D_c - a_p)} \quad (\text{mm})$$



Profile height H (um)

D _c	Pitch a _e (μm)						
	0,06	0,08	0,11	0,15	0,20	0,3	0,45
1	0,90	1,60	3,00	5,70	10,0	23,0	53,0
2	0,45	0,80	1,50	2,80	5,0	11,0	26,0
4	0,23	0,40	0,76	1,40	2,5	5,60	13,0
6	0,15	0,27	0,50	0,94	1,7	3,80	8,40
8	0,11	0,20	0,38	0,70	1,3	2,80	6,30
10	0,09	0,16	0,30	0,56	1,0	2,30	5,10
12	0,08	0,13	0,25	0,47	0,83	1,90	4,20

a_p = Depth of cut mm/axial depth of cut (mm)

a_e = Width of cut mm/radial depth of cut (mm)

D_c = Cutter diameter

f = Feed per revolution (mm/rev)

f_z = Feed per tooth (mm/tooth)

Z_n = No. of teeth

n = RPM (rev/min)

Q = Material removal rate (cm³/min)

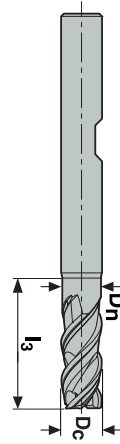
v_c = Cutting speed (m/min)

v_f = Feed speed (mm/min)

D_w = Working diameter

Measurement drawing should be read as follows:

- dm_m = Shank diameter
- D_c = Milling cutting diameter
- m = Minimum clamping length
- l_2 = Total length
- l_3 = Maximum milling cutter depth
- a_p = Effective cutting length
- $r_{\epsilon,1}$ = Corner radius
- $r_{\epsilon,2}$ = Radius behind the cutting edge
- ϵ = OD reduction per side
- D_n = Neck reduction

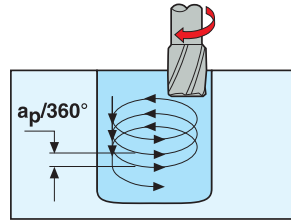


Ramping

The table below shows the feed rate percentage to use at certain ramping angles

Recommended diameter of hole for helical interpolation ramping

Diameter of end mill D_c	Diameter of hole
1-2,5	$1,4 \times D_c$
3-6	$1,3 \times D_c$
8-12	$1,2 \times D_c$
16-32	$1,15 \times D_c$

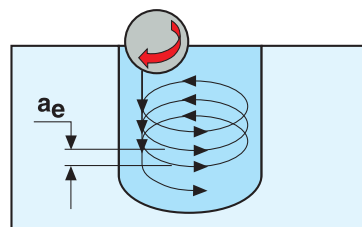


Trochoidal method

The figure below shows a method often called the trochoidal method for milling slots

Recommendation of width of slot

Diameter of end mill D_c	Slot width
1-2,5	$1,8 \times D_c$
3-6	$1,6 \times D_c$
8-12	$1,4 \times D_c$
16-32	$1,2 \times D_c$



SMG version 2 – Introduction

The foundation for SMG v2 is a classification of workpiece materials based on their type rather than their relative machinability and consequently it contains workpiece materials like composites. It is comprehensive enough, but still easy to identify to which SMG a particular material belongs.

Each SMG has a specific material standard in a specific condition assigned as reference to allow easy adjustment of cutting data for any actual material compared to any Seco reference material see page 332-335.

As example the reference materials EN C45E for SMG P4 and EN 42 CrMo 4 for both SMG P5 and SMG H5 see further details in the following tables.

In SMG v2 classification of workpiece materials involves a specific material standard in a specific condition assigned as reference for easy and unambiguous adjustment of cutting data for any actual material compared to any Seco reference material. As examples the reference materials EN C45E for SMG P4 and EN 42 CrMo 4 for both SMG P5 and SMG H5 shown below in table 1 where the reference level material property is indicated.

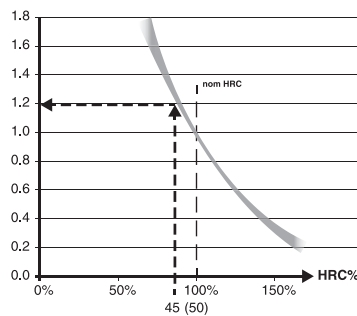
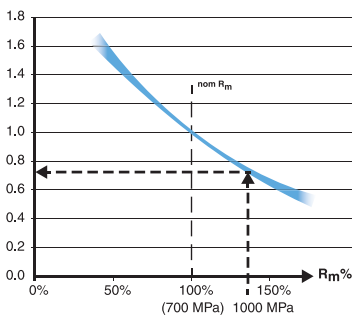
SMG	Description	Properties	Reference	SMG	Description	Properties	Reference
P4	Low alloy general structural steels, 0.25% < C < 0.67%wt Low alloy Quench & Temper steels	520 < R _m < 1200	C 45E R _m = 660 N/mm ²	H5	Quenched & Tempered steels	38 < HRC < 56	42 CrMo 4 50 HRC
P5	Structural steels, 0.25% < C < 0.67%wt Quench & Temper steels	550 < R _m < 1200	42 CrMo 4 R _m = 700 N/mm ²				

Focusing specifically on EN 42 CrMo 4 in annealed condition, the ultimate tensile strength R_m may typically vary between R_m = 630 N/mm² and R_m = 780 N/mm², which provide a reference level for SMG P5. In Quenched & Tempered condition, the ultimate tensile strength R_m may typically be between R_m = 900 N/mm² and R_m = 1100 N/mm² thus still belongs to SMG P5. However, if hardened above R_m = 1200 N/mm² it now belongs to SMG H5.

SMG	EN	W-Nr	AFNOR	BS	UNI	JIS	AISI / ASTM	GOST	Condition	R _{m,nom}	HRC _{nom}
P5	42 CrMo 4	1.1201	42 CD 4	708 M 40	42 CrMo 4	SCM 440 (H)	4142, 4140	38HM	Annealed	700	
	42 CrMo 4	1.1201	42 CD 4	708 M 40	42 CrMo 4	SCM 440 (H)	4142, 4140	38HM	Quenched & Tempered	1000	
H5	42 CrMo 4	1.1201	42 CD 4	708 M 40	42 CrMo 4	SCM 440 (H)	4142, 4140	38HM	Quenched & Tempered		45
	42 CrMo 4	1.1201	42 CD 4	708 M 40	42 CrMo 4	SCM 440 (H)	4142, 4140	38HM	Quenched & Tempered		50

The EN 42CrMo4 quench & tempered steel could be used to illustrate the machinability dependence of materials' condition.

The graphs below indicate how speed recommendations for a nominal material conditions may be adjusted for relative R_m (left diagram valid for ISO-P) and for relative HRC (valid for ISO-H).



To further illustrate how the SMG v2 SMG P5 nominal v_c can be adjusted to a more accurate recommended v_c we need ultimate tensile strength R_m data and in this case we use the EN 42 CrMo 4 quenched & tempered to R_m = 1000 N/mm² according to above table (bold blue arrows).

Assume that we find that the SMG P5 nominal v_c = 280 m/min for a certain product and machining.

Then, actual recommended v_c = 280 m/min x 0,75 = 210 m/min.

Consequently in the SMG H5 the nominal v_c can be adjusted using the hardened EN 42 CrMo 4 at HRC 45 (smaller grey arrows).

Assume that the SMG H5 nominal v_c = 50 m/min for a certain product and machining using a coated cemented carbide tool then, actual recommended v_c = 50 m/min x 1,2 = 60 m/min.

For further workpiece material details please see page 332 and suggested cutting data at applicable pages.

For more convenient cutting data handling we recommend applicable tools in My Pages – Suggest on www.secotools.com

Steels, ferritic and martensitic stainless steels

SMG	Description	Properties	Reference
P1	Free-cutting steels	$360 < R_m < 880$	11 SMn30 $R_m = 385 \text{ N/mm}^2$
P2	Low alloy ferritic steels, $C < 0.25\% \text{wt}$ Low alloy weldable general structural steels	$320 < R_m < 600$	S235JRG2 $R_m = 420 \text{ N/mm}^2$
P3	Ferritic & ferritic/pearlitic steels, $C < 0.25\% \text{wt}$ Weldable general structural steels Case hardening steels	$430 < R_m < 610$	16 MnCr 5 $R_m = 550 \text{ N/mm}^2$
P4	Low alloy general structural steels, $0.25\% < C < 0.67\% \text{wt}$ Low alloy Quench & Temper steels	$520 < R_m < 1200$	C 45E $R_m = 660 \text{ N/mm}^2$
P5	Structural steels, $0.25\% < C < 0.67\% \text{wt}$ Quench & Temper steels	$550 < R_m < 1200$	42 CrMo 4 $R_m = 700 \text{ N/mm}^2$
P6	Low alloy through hardening steels, $C > 0.67\% \text{wt}$ Low alloy spring and bearing steels	$520 < R_m < 1200$	C 100S $R_m = 600 \text{ N/mm}^2$
P7	Through hardening steels, $C > 0.67\% \text{wt}$ Spring and bearing steels	$600 < R_m < 1200$	100 Cr 6 $R_m = 650 \text{ N/mm}^2$
P8	Tool steels High Speed Steels (HSS)	$600 < R_m < 1200$	X 40 CrMoV 5 1 $R_m = 700 \text{ N/mm}^2$
P11	Ferritic & martensitic stainless steels	$415 < R_m < 1200$	X 20 Cr 13 $R_m = 675 \text{ N/mm}^2$

Free-cutting, austenitic and duplex stainless steels

SMG	Description	Properties	Reference
M1	Free-cutting austenitic stainless steels		X 10 CrNiS 18 9
M2	Low alloy austenitic stainless steels		X 5 CrNi 18 9
M3	Medium alloy austenitic stainless steels		X 2 CrNiMo 18 14 3
M4	High alloy austenitic and duplex stainless steels		X 2 CrNiMoN 22 5 3
M5	Difficult high alloy austenitic and duplex stainless steels		X 2 CrNiMoN 25 7 4

Cast irons

SMG	Description	Properties	Reference
K1	Grey cast irons (GCI)		EN-GJL-250
K2	Compacted graphite irons (CGI)		EN-GJV-400
K3	Malleable cast irons (MCI)		EN-GJMB-550-4
K4	Nodular cast irons (SGI)		EN-GJS-500-7
K5	Austempered ductile irons (ADI)		EN-GJS-1000-5
K6	Austenitic lamellar cast irons		EN-GJLA-XNiCuCr15-6-2
K7	Austenitic nodular cast irons		EN-GJSA-XNiMn23-4

Non-ferrous metals

SMG	Description	Properties	Reference
N1	Aluminum alloys, Si < 9%		AW-7075
N2	Aluminum alloys, 9% < Si < 16%		AC-44200 Si = 12%
N3	Aluminum alloys, Si > 16%		AlSi17Cu5
N11	Copper alloys		CW614N

Superalloys and titanium

SMG	Description	Properties	Reference
S1	Iron based superalloys		Disalloy
S2	Cobalt based superalloys		Stellite 21
S3	Nickel based superalloys		Inconel 718
S11	Titanium, low alloyed, (α)		Ti
S12	Titanium, medium alloyed, ($\alpha+\beta$)		TiAl6V4
S13	Titanium, high alloyed, (near β and β)		Ti10V2Fe3Al

Hard materials

SMG	Description	Properties	Reference
H3	Case hardened steels	58 < HRC < 62	16 MnCr 5 60 HRC
H5	Quenched & Tempered steels	38 < HRC < 56	42 CrMo 4 50 HRC
H7	Quenched & Tempered steels Bearing steels	56 < HRC < 64	100 Cr 6 60 HRC
H8	Tool steels High Speed Steels	38 < HRC < 64	X 40 CrMoV 5 1 50 HRC
H11	Martensitic stainless steels	38 < HRC < 50	X 20 Cr 13 45 HRC
H12	Precipitation hardened stainless steels	33 < HRC < 50	X 5 CrNiCuNb 16 4 35 HRC
H21	Manganese steels	23 < HRC < 64	X 120 Mn 12 50 HRC
H31	White cast irons	50 < HRC < 64	EN-GJN-HV600(XCr11) 55 HRC

Other difficult materials

SMG	Description	Properties	Reference
PM1	Low alloy PM materials		F-0008 Fe-0.7C
PM2	Medium alloy PM materials		FLC-4608 Fe2Cu1.8Ni0.5Mo0.2Mn0.8C
PM3	High alloy PM materials Exhaust valve seat materials		
HF1	Hard facing alloys Welded or plasma deposited iron based alloys		
HF2	Hard facing alloys Welded or plasma deposited cobalt and nickel based alloys		
CC1	Sintered tungsten carbide		G50

Plastics and Composites

SMG	Description	Properties	Reference
TS1	Thermosetting polymers		Urea formaldehyde (UF)
TS2	Thermosetting Carbon fiber composites		T300 T700 T800 HTA-S IMA - Epoxy (M21)...
TS3	Thermosetting Glass fiber composites		Epoxy - HX..(42..)/E glass (7781...)...
TS4	Thermosetting Aramide fibre composites		Kevlar 49
TP1	Thermoplastic polymers		Polycarbonate (PC)
TP2	Thermoplastic Carbon fiber composites		PPS/PEEK - T300..
TP3	Thermoplastic Glass fiber composites		PPS/PEEK - E glass or A glass...
TP4	Thermoplastic Aramide fibre composites		

Graphite

SMG	Description	Properties	Reference
GR1	Graphite		R 8500

SMG

SMG	EN	EN-Nr	W.-Nr	DIN	AFNOR	BS	UNI	JIS	SS	UNS
P1	11 SMn30	1.0715	1.0715	9 SMn 28	S 250	230 M 07	CF 9 SMn 28	SUM 22	1912	G12130
	11 SMnPb30	1.0718	1.0718	9 SMnPb 28	S 250 Pb		CF 9 SMnPb 28	SUM 22 L	1914	G12134
	10 S 20	1.0721	1.0721	10 S 20	10 F 1	210 M 15	CF 10 S 20			
			1.0722	10 SPb 20	10 PbF 2		CF 10 SPb 20			
	15 SMn13	1.0725	1.0723	15 S 20		210 A 15		SUM 32	1922	
	35 S20	1.0726	1.0726	35 S 20	35 MF 4	212 M 36			1957	G11400
	46 S20	1.0727	1.0727	46 S 20	45 MF 4	212 M 44			1973	G11460
	11 SMn37	1.0736	1.0736	9 SMn 36	S 300	240 M 07	CF 9 SMn 36			G12150
	11 SMnPb 37	1.0737	1.0737	9 SMnPb 36	S 300 Pb		CF 9 SMnPb 36		1926	G12144
	S235JR	1.0037	1.0037	St 37-2	E 24-2		Fe 360 B	STKM 12 C	1311	
	S235JRG2	1.0038	1.0116	St 37-3	E 24-3, E 24-4	4360-40 C	Fe 360 D FF		1312, 1313	
S275J2G3	1.0144	1.0144	St 44-3 N	E 28-3, E 28-4	4360-43 C	Fe 430 D FF	SM 41 C	1412, 1414		
C 10	1.0301	1.0301	C 10	AF 34 C 10, XC 10	045 M 10	C 10	S 10 C		G10100	
P2			1.0401	C 15	AF3 7 C 12, XC 18	080 M 15	C 15, C 16		1350	G10170
	C22+N	1.0402	1.0402	C 22	C 20	050 A 20	C 20, C 21		1450	G10200
	S355JR	1.0570	1.0570	St 52-3	E 36-3, E 36-4	4360-50 C	Fe 510 B	SM 50 YA	2172, 2132	
	C 15R	1.1141	1.1141	Ck 15	XC 15, XC 18	080 M 15	C 15, C 16	S 15 C, S 15 CK	1370	G10170
			1.1158	Ck 25	XC 25	060 A 25		S 25 C		G10250
			1.2162	21 MnCr 5	20 NC 5			SCR 420 H		
	16 Mo 3	1.5415	1.5415	15 Mo 3	15 D 3	1501-240	16 Mo 3		2912	
P3			1.5423	16 Mo 5		1503-245-420	16 Mo 5	SB 450 M		G45200
	14 NiCr 14	1.5752	1.5752	14 NiCr 14	12 NC 15	655 M 13		SNC 815 (H)		G33106
			1.5919	15 CrNi 6	16 NC 6	S 107	16 CrNi 4			
	18 NiCrMo 7 6	1.6587	1.6587	18 CrNiMo 7 6	18 NCD 6	820 A 16	18 NiCrMo 7			
	16 MnCr 5	1.7131	1.7131	16 MnCr 5	16 MC 5	527 M 17	16 MnCr 5	SCR 415	2511	G51170
	16 MnCrS 5	1.7139	1.7139	16 MnCrS 5						
	20 MnCr 5	1.7147	1.7147	20 MnCr 5	20 MC 5		20 MnCr 5	SMnC 420 (H)		G51200
	20 MnCrS 5	1.7149	1.7149	20 MnCrS 5	20 MnCrS 5			SMnC 21 H		
	13 CrMo 4 5	1.7335	1.7335	13 CrMo 4 4	15 CD 3,5	1501-620 Gr. 27	14 CrMo 4 5		2216	
			1.7337	16 CrMo 4 4	15 CD 4,5	1501-620 Gr. 27	14 CrMo 4 5		2216	
10 CrMo 9 10	1.7380	1.7380	10 CrMo 9 10	10 CD 9,10	1501-622 Gr. 31	12 CrMo 9 10		2218	J21890	
P4	C35+N		1.0501	C 35	AF 55 C 35	060 A 35	C 35		1550	G10350
	E 335	1.0503	1.0503	C 45	AF 65 C 45	80 M 46	C 45	S 45 C	1650	G10430
	C40+N		1.0511	C 40	AF 60 C 40	080 M 40	C 40	S 40 C		
	E 360	1.0070	1.0535	St 70-2	A 70-2		Fe 690		1655	
	C60+N	1.0601	1.0601	C 60	CC 55	080 A 62	C 60			G10600
			1.1157	40 Mn 4	35 M 5	150 M 36				G10390
	G 28 Mn6	1.1165	1.1165	30 Mn 5		120 M 36		SMn 1 H, SCMn 2		G13300
	G 28 Mn6+QT	1.1165	1.1167	36 Mn 5	40 M 5	150 M 36		SMn 438 (H), SCMn 3	2120	G13350
	C 35E	1.1181	1.1181	Ck 35	XC 38 H1	080 M 36	C 35	S 35 C	1572	G10340
	C 45E	1.1191	1.1191	Ck 45	XC 42	080 M 46	C 45	S 45 C	1672	G10420
C 60E	1.1221	1.1221	Ck 60	XC 60	080 A 62	C 60	S 58 C	1665, 1678	G10640	
		1.1740	C 60 W	Y3 55			SK 7			
P5	55 SiCr7	1.7100	1.0904	55 Si 7	55 S 7	250 A 53	55 Si 8		2085, 2090	
	42 CrMo 4	1.7225	1.1201	42 CrMo 4	42 CD 4	708 M 40	42 CrMo 4	SCM 440 (H)	2244	G41400
	42 CrMo 4	1.7225	1.1201	42 CrMo 4	42 CD 4	708 M 40	42 CrMo 4	SCM 440 (H)	2244	G41400
			1.2330	35 CrMo 4	34 CD 4	708 A 37	35 CrMo 4		2234	T51620
			1.2542	45 WCrV 7		BS 1	45 WCrV 8 KU		2710	T41901
		1.2714	1.2714	56 NiCrMoV 7		BH 224-5	56 NiCrMoV7-KU	SKT 4		T61206
			1.5121	46 MnSi 4						
			1.5710	36 NiCr 6	35 NC 6	640 A 35				
			1.5736	36 NiCr 10	35 NC 11		35 NiCr 9	SNC 631 (H)		
	36CrNiMo4+TA	1.6511	1.6511	36 CrNiMo 4	40 NCD 3	816 M 40	38 NiCrMo 4 (KB)			G98400
	34 CrNiMo 6	1.6582	1.6582	34 CrNiMo 6	35 NCD 6	817 M 40	35 NiCrMo 6 (KW)	SNCM 447	2541	
	34 Cr 4	1.7033	1.7033	34 Cr 4	32 C 4	530 A 32	34 Cr 4 (KB)	SCR 430 (H)		G51320
	41 Cr 4	1.7035	1.7035	41 Cr 4	42 C 4	530 M 40	41 Cr 4	Scr 440 (H)		G51400
	25 CrMo 4	1.7218	1.7218	25 CrMo 4	25 CD 4 S	708 M 25	25 CrMo 4 (KB)	SCM 425	2225	G41300
		1.7361	32 CrMo 12	30 CD 12	722 M 24	32 CrMo 12		2240		
50 CrV 4	1.8159	1.8159	50 CrV 4	50 CV 4	735 A 50	51 CrV 4	SUP 10	2230	H61500	
41 CrAlMo 7 10	1.8509	1.8509	41 CrAlMo 7	40 CAD 6.12	905 M 39	41 CrAlMo 7	SACM 645	2940	K24065	
P6	C 67S	1.1231	1.1231	Ck 67	XC 68	060 A 67	C 70		1770	G10700
	C 100S	1.1274	1.1274	Ck 101		060 A 96		SUP 4	1870	G10950
	C 105U	1.1545	1.1545	C 105 W1	Y1 105		C 100 KU		1880	
			1.1645	C 105 W2	Y1 105		C 100 KU	SK 3		
		1.1663	C 125 W	Y2 120			C 120 KU	SK 2		

SMG

U.N.E./I.H.A.	AISI / ASTM	GOST	Misc. Brands	Condition	Structure
	1213			Annealed	
	12 L 13			Annealed	
	1108			Annealed	
	11 L 08			Annealed	
				Annealed	
	1140	40		Annealed	
	1146			Annealed	
	1215			Annealed	
	12 L 14			Annealed	
		16D		Annealed	
	A 573 Gr. 58	18kp		Annealed	
	A 573 Gr. 70	St14kP		Annealed	
	1010	10		Annealed	
F.1110	1015	15		Annealed	
	1023	20		Annealed	
		17G1S		Annealed	
F.1511	1015	15		Annealed	
F.1120	1025	25		Annealed	
				Annealed	
	A 204 Gr. A			Annealed	
	4520			Annealed	
	3310, 9314	20X2H4A		Annealed	
	4320			Annealed	
				Annealed	
F.1516	5115	12KHN2		Annealed	
		18HG		Annealed	
	5120	20KH		Annealed	
	5120 H	20KH		Annealed	
	A 182-F11, F12	12KHM		Annealed	
	A 387 Gr. 12 Cl. 2			Annealed	
F.155	A 182-F22	12KH8		Annealed	
F.1130	1035	35		Annealed	
F.5110	1045	45		Annealed	
	1040	40		Annealed	
F.1150	1055	55		Annealed	
	1060	60		Annealed	
	1039	40G		Annealed	
	1330	30G2		Annealed	
F.411	1335	35G2		Annealed	
F.1135	1035	35		Annealed	
F.1140	1045	45		Annealed	
F.1150	1064	60		Annealed	
	1060	60		Annealed	
F.144	9255	55S2		Annealed	
F.1252	4142, 4140	38HM		Annealed	
F.1252	4142, 4140	38HM		Quenched & Tempered	
F.1250	4135	35KHM		Annealed	
F.5241	S1	5KHV2S		Annealed	
	L6	5KHNV		Annealed	
	5045			Annealed	
	3135			Quenched & Tempered	
	3435			Annealed	
	9840			Quenched & Tempered	
F.1280	4340	38H2N2MA		Annealed	
	5132	35KH		Quenched & Tempered	
	5140	40H		Quenched & Tempered	
F.1251	4130	20KHM		Quenched & Tempered	
				Quenched & Tempered	
F.143	6150	50KHFA		Quenched & Tempered	
F.1740	A 355 Cl. A			Annealed	
F.5103	1070	70		Annealed	
F.5117	1095			Annealed	
F.5118	W1	U10A		Annealed	
		U10		Annealed	
	W1	U13		Annealed	

SMG

SMG	EN	EN-Nr	W.-Nr	DIN	AFNOR	BS	UNI	JIS	SS	UNS
P7	107 CrV 3	1.2210	1.2210	115 CrV 3	100 C 3		107 CrV 3 KU			T61202
			1.2510	100 MnCrV 4	90 MWCV 5	BO 1	95 MnWCr 5 KU	SKS 3	2140	T31501
	90 MnCrV 8	1.2842	1.2842	90 MnCrV 8	90 MV 8	BO 2	90 MnVCr 8 KU			T31502
	100 Cr 6	1.3505	1.3505	100 Cr 6	100 C 6	534 A 99	100 Cr 6	SUJ 2	2258	G51986
P8	X 210 Cr 12	1.2080	1.2080	X 210 Cr 12	Z 200 C 12	BD 3	X 210 Cr 13 KU	SKD 1		T30403
			1.2343	X 38 CrMoV 5 1	Z 38 CDV 5	BH 11	X 37 CrMoV 5 1 KU	SKD 6		T20811
	X 40 CrMoV 5 1	1.2344	1.2344	X 40 CrMoV 5 1	Z 40 CDV 5	BH 13	X 40 CrMo 5 1 1 KU	SKD 61	2242	T20813
	X 100 CrMoV 5	1.2363	1.2363	X 100 CrMoV 5 1	Z 100 CDV 5	BA 2	X 100 CrMoV 5 1 KU	SKD 12	2260	T30102
			1.2365	X 32 CrMoV 3 3	32 DCV 28	BH 10	30 CrMoV 12 27 KU	SKD 7		T20810
			1.2436	X 210 CrW 12			X 215 CrW 12 1 KU	SKD 2		2312
			1.2601	X 165 CrMoV 12			X 165 CrMoV 12 KU			2310
			1.2713	55 NiCrMoV 6	55 NCDV 7			SKT 4		T61206
	HS 6-5-2-5	1.3243	1.3243	S 6-5-2-5	Z 85 WDKCV 06-05-05-04-02		HS 6-5-2-5	SKH 55		2723
	HS 2-10-1-8	1.3247	1.3247	S 2-10-1-8	Z 110 DKCWW 09-08-04	BM 42	HS 2-9-1-8	SKH 51		T11342
	HS 18-1-2-5	1.3255	1.3255	S 18-1-2-5	Z 80 WKCVC 18-05-04-01	BT 4	HS 18-1-1-5	SKH 3		T12004
HS 6-5-2	1.3343	1.3343	S 6-5-2	Z 85 WDCVC 06-05-04-02	BM 2	HS 6-5-2	SKH 9, SKH 51	2722	T11302	
HS 2-9-2	1.3348	1.3348	S 2-9-2	Z 100 DCWV 09-04-02-02		HS 2-9-2	SKH 58		2782	
HS 18-0-1	1.3355	1.3355	S 18-0-1	Z 80 WCV 18-04-01	BT 1	HS 18-0-1	SKH 2		T12001	
P11	X 6 Cr 13	1.4000	1.4000	X 6 Cr 13	Z 6 C 12	403 S 17	X 6 Cr 13	SUS 403	2301	S41008
	X 12 Cr 13	1.4006	1.4006	X 10 Cr 13	Z 10 C 13	410 S 21	X 12 Cr 13	SUS 410	2302	S41000
	X 6 Cr 17	1.4016	1.4016	X 6 Cr 17	Z 8 C 17	430 S 15	X 8 Cr 17	SUS 430	2320	S43000
	X 20 Cr 13	1.4021	1.4021	X 20 Cr 13	Z 20 C 13	420 S 37	X 20 Cr 13	SUS 420 J 1	2303	S42000
	X 39 Cr 13	1.4031	1.4031	X 40 Cr 13	Z 40 C 14	420 S 45	X 40 Cr 14	SUS 420	2304	S40280
	X 70 CrMo 15	1.4109	1.4109	X 65 CrMo 14	Z 70 D 14			SUS 440 A		S44002
	X 90 CrMoV 18	1.4112	1.4112	X 90 CrMoV 18	Z 2 CND 18 05	409 S 19	X CrTi 12	SUS 440 B	2327	S44003
	X 105 CrMo 17	1.4125	1.4125	X 105 CrMo 17	Z 100 CD 17		X 105 CrMo 17	SUS 440 C		S44004
	X 3 CrNiMo 13 3	1.4313	1.4313	X 5 CrNi 13 4	Z 5 CN 13.4	425 C 11	X 6 CrNi 13 04	SCS 5		2385
	X 18 CrN 28	1.4749	1.4749	X 18 CrN 28	Z 18 C 25					2322
M1	X 10 CrNiS 18 9	1.4305	1.4305	X 10 CrNiS 18 9	Z 10 CNF 18.09	303 S 31	X 10 CrNi 18 09	SUS 303	2346	S30300
M2	X 12 CrNi 18 8	1.4300	1.4300	X 12 CrNi 18 8	Z 12 CN 18	302 S 25		SUS 302		2331
	X 5 CrNi 18 9	1.4301	1.4301	X 6 CrNi 18 10	Z 6 CN 18.09	304 S 31	X 5 CrNi 18 11	SUS 304		2333
	X 2 CrNi 19 11	1.4306	1.4306	X 2 CrNi 19 11	Z 2 CN 18.10	304 S 12	X 3 Cr Ni 18 11	SUS 304 L		2352
	X 9 CrNi 18 8	1.4310	1.4310	X 12 CrNi 17 7	Z 12 CN 17.07	301 S 21	X 12 CrNi 17 07	SUS 301		(2331)
	X 5 CrNiMo 17 12 2	1.4401	1.4401	X 5 CrNiMo 17 12 2	Z 3 CND 17.11.1	316 S 31	X 5 CrNiMo 17 12	SUS 316		2347
	X 6 CrNiNb 18 10	1.4550	1.4550	X 6 CrNiNb 18 10	Z 6 CNNb 18.10	347 S 31	X 6 CrNiNb 18 11	SUS 347		2338
M3	X 2 CrNiN 18 10	1.4311	1.4311	X 2 CrNiN 19 11	Z 2 CN 18 10 Az	304 S 62	X 2 CrNiN 18 11	SUS 304 LN		2371
	X 12 CrNi 25 21	1.4335	1.4335	X 12 CrNi 25 21	Z 12 CN 25.20	310 S 24	X 6 CrNi 26 20	SUH 310, SUS 310 S		2361
	X 2 CrNiMoN 17 13 3	1.4429	1.4429	X 2 CrNiMoN 17 13 3	Z 2 CND 17.13 Az	316 S 62	X 2 CrNiMoN 17 13 3	SUS 316 LN		2375
	X 2 CrNiMo 18 14 3	1.4435	1.4435	X 2 CrNiMo 18 14 3	Z 2 CND 17.13	316 S 12	X 2 CrNiMo 17 13 2	SCS 16, SUS 316 L		2353
	X 3 CrNiMo 18 12 3	1.4466	1.4466	X 5 CrNi 18 15		317 S 16	X 5 CrNi 18 15	SUS 317		2366
X 9 CrNiSiNce 21 11 2	1.4835	1.4893	X 9 CrNiSiNce 21 11 2		310 S 31					2368
M4	X 2 CrNiMoSi 19 5	1.4424	1.4417	X 2 CrNiMoSi 19 5	Z 2 CND 18.05.03					2376
	X 3 CrNiMo 27 5 2	1.4460	1.4460	X 4 CrNiMo 27 5 2	Z 3 CND 25.7 Az		X 3 CrNiMo 27 5 2	SUS 329 J 1		2324
	X 2 CrNiMoN 22 5 3	1.4462	1.4462	X 2 CrNiMoN 22 5	Z 2 CND 22.05 Az	332 S 15	X 2 CrNiMoN 22 5			2377
	X 2 NiCrMoCu 25 20 5	1.4539	1.4539	X 2 NiCrMoCu 25 20 5	Z 2 NCDU 25 20	904 S 13				2562
M5	X 2 CrNiMoN 25 7 4	1.4410	1.4410	X 2 CrNiMoN 25 7 4	Z 3 CND 25.07 Az		X 2 CrNiMoN 25 7 4			2328
	X 1 CrNiMoN 20 18 7	1.4547	1.4529	X 1 CrNiMoN 20 18 7	Z 1 CNDU 20.18.05 Az		X 1 CrNiMoN 20 18 7			2778
	X 6 NiCrTiMoV 25 15	1.4534	1.4534	X 3 CrNiMoAl 13 8 2						S13800
		1.4540	1.4540	X 4 CrNiCuNb 16 4	Z 4 CNUNb 16.4 M					S15500
	X 3 CrNiMoAl 13 8 2	1.4568	1.4568	X 7 CrNiAl 17 7	Z 9 CAN 17.7	301 S 81	X 7 CrNiAl 17 7	SUS 631	2388	S17700
	X 1 CrNiMoN 25 22 8	1.4652	1.4652	X 2 CrNiMoN 25 22 7						S32654
X 10 NiCrAlTi 32 20	1.4876	1.4876	X 10 NiCrAlTi 32 20	Z 10 NC 32.21			NCF 800		N08800	
X 5 CrNiCuNb 16 4	1.4980	1.4943	X 4 NiCrTi 25 15	Z 6 NCTDV 25.15	HR 51		SUH 660	2570	S66286	

SMG

U.N.E./ I.H.A.	AISI / ASTM	GOST	Misc. Brands	Condition	Structure
F.520L	L2	11KHf		Annealed	
F.5220	O1	9KHVG		Annealed	
	O2	9G2F		Annealed	
F.5230	52100	SHKH15		Annealed	
F.5212	D3	KH12		Annealed	
	H11	4KH5MFS		Annealed	
F.5318	H13	4KH5MF1S		Annealed	
F.5227	A2	9KH5VF		Annealed	
	H10	3KH3M3F		Annealed	
F.5213		KH12		Annealed	
		KH12MF		Annealed	
F.520.S	L6	5KHNM		Annealed	
F.5613	M35	R6M5K5		Annealed	
	M42	R2AM9K5		Annealed	
	T4	R18K5F2		Annealed	
F.5603	M2	R6M5		Annealed	
	M7			Annealed	
	T1	R18		Annealed	
	403	08KH13		Annealed	Ferrite
F.3401	410, CA-15	12KH13, 08KH13		Annealed	Martensite
F.3113	430	12KH17		Annealed	Ferrite
F.5261	420	20KH13		Annealed	Martensite
F.3404	420	40KH13		Annealed	Martensite
	440 A			Annealed	Martensite
	440 B	95KH18		Annealed	Martensite
	440 C	95KH18		Annealed	Martensite
			F6NM	Annealed	Martensite
	446	15KH28		Annealed	Ferrite
F.3508	303	12KH19N9		Annealed	Austenite
	302	12KH18N9		Annealed	Austenite
F.3504	304, 304 H	08KH18N10		Annealed	Austenite
F.3504	304 L	03KH18N11		Annealed	Austenite
F.3517	301	07KH16N6		Annealed	Austenite
F.3534	316	08KH17H13M2T		Annealed	Austenite
F.3524	347	08KH18N12B		Annealed	Austenite
F.3541	304 LN	03KH18N11		Annealed	Austenite
	310 S	12KH25N20		Annealed	Austenite
	316 LN	03KH16N15M3		Annealed	Austenite
F.3533	316 L	03KH17N14M3		Annealed	Austenite
	317	08KH17H15M3T		Annealed	Austenite
			253 MA	Annealed	Austenite
			3RE60	Annealed	Duplex
	329			Annealed	Duplex
	329 LN		SAF 2205	Annealed	Duplex
	904L			Annealed	Super austenite
	F 53		SAF 2507	Annealed	Super duplex
			254 SMO	Annealed	Super austenite
	XM-13		PH13-8Mo	Solution treated	Austenite
	XM-12		15-5-PH	Solution treated	Martensite
	AMS 5528	09KH17N7YU1		Solution treated	Austenite/ferrite
			654 SMO	Annealed	Super austenite
			Alloy 800	Annealed	Austenite
	660		A286	Solution treated	Austenite

SMG

SMG	EN	EN-Nr	W.-Nr	DIN	AFNOR	BS	UNI	JIS	SS	UNS
K1	EN-GJL-150	0.6150	0.6150	GG-15	Fl 15 D	Grade 150	G15	FC 150	01 15-00	F11601
	EN-GJL-200	0.6200	0.6200	GG-20	Fl 20 D	Grade 220	G20	FC 200	01 20-00	F12101
	EN-GJL-215			GG-220 HB					02 19	
	EN-GJL-250	0.6250	0.6250	GG-25	Fl 25 D	Grade 260	G25	FC 250	01 25-00	F12401
	EN-GJL-300	0.6300	0.6300	GG-30	Fl 30 D	Grade 300	G30	FC 300	01 30-00	F13101
EN-GJL-350	0.6350	0.6350	GG-35	Fl 35 D	Grade 350	G35	FC 350	01 35-00	F13502	
K2	EN-GJV-300			GJV-300						
	EN-GJV-350			GJV-350						
	EN-GJV-400			GJV-400						
	EN-GJV-450			GJV-450						
EN-GJV-500			GJV-500							
K3	EN-GJMB-550-4	0.8155		GTS-55-04	P 540/5	P 540/5	P 55-04	PCMP55-04	08 54-00	F24130
K4	EN-GJS-350-22	0.7033	0.7033	GGG-35.3	FGS 370-17	Grade 350/22		FCD 350-22L	07 17-15	
	EN-GJS-400-15	0.7040	0.7040	GGG-40	FGS 400-12	Grade 420/12	GS 400-12	FCD 400-18L	07 17-02	F32800
	EN-GJS-400-18	0.7043	0.7043	GGG-40.3	FGS 370-17	Grade 370/17	GSO 42/17		07 17-12	F32800
	EN-GJS-500-7	0.7050	0.7050	GGG-50	FGS 500-7	Grade 500/7	GS 500-7	FCD 500-7	07 27-02	F33800
	EN-GJS-600-3	0.7060	0.7060	GGG-60	FGS 600-3	Grade 600/3	GS 600-3	FCD 600-3	07 32-03	F34100
	EN-GJS-700-2	0.7070	0.7070	GGG-70	FGS 700-2	Grade 700/2	GS 700-2	FCD 700-2	07 37-01	F34800
K5	-									ADI grade 5
	EN-GJS-1000-5			GJS-1000-5						ADI grade 2
	EN-GJS-1200-2			GJS-1200-2						ADI grade 3
	EN-GJS-1400-1			GJS-1400-1						ADI grade 4
	EN-GJS-800-8			GJS-800-8						ADI grade 1
K6	EN-GJLA-XNiCr 20-2	0.6660	0.6660	GGL-NiCr 20 2	FGL N120 Cr2	Grade F2			05 23-00	F41002
	EN-GJLA-XNiCr 30-3	0.6676	0.6676	GGL-NiCr 30 3	FGL N130 Cr3	Grade F3				F41004
	EN-GJLA-XNiCuCr15-6-2	0.6655	0.6655	GGL-NiCuCr 15 6 2	FGL N115 Cu6 Cr2	Grade F1				F41000
K7	EN-GJSA-XN135	0.7683	0.7683	GGG-Ni 35	FGS N135					F43006
	EN-GJSA-XNiCr20-2	0.7660	0.7660	GGG-NiCr 20 2	FGS N120 Cr2	Grade S2				F43000
	EN-GJSA-XNiCr30-3	0.7676	0.7676	GGG-NiCr 30 3	FGS N130 Cr3	Grade S3				F43003
	EN-GJSA-XNiMn13-7	0.7652	0.7652	GGG-NiMn 13 7	FGS N113 Mn7	Grade S6			07 72-00	-
	EN-GJSA-XNiMn23-4	0.7673	0.7673	GGG-NiMn 23 4	FGS N123 Mn4	Grade S2M				F43010
N1	AW-1050A	Al99.5	3.0255	Al99.5	A-5/1050A	1B		(A1050)	4007	AA1050A
	AW-3103	AlMn1	3.0515	AlMn1		N3			4054	AA3103
	AW-3003	AlMn1Cu	3.0517	AlMn1Cu	A-M1/3003			A3003		AA3003
	AW-2014	AlCuSiMn	3.1255	AlCuSiMn	A-U4SG/2014	H15			4338	AA2014
	AW-2011	AlCuBiPb	3.1655	AlCuBiPb	A-USPbBi/2011	FC1		A2011	4355	AA2011
	AC-46200	AlSi8Cu3(Si)	3.2161	G-AlSi8Cu3					4251	A13800
	AC-42000		3.2341	G-AlSi6Mg	A-S7G	LM25	3599	AC 4C	4244	
	AW-6060	AlMgSi0.5	3.3206	AlMgSi0.5	A-GS/6060	(H9)			4103	AA6060
	AW-6063	AlMgSi0.7	3.3210	AlMgSi0.7	A-GSUC/6061	(H10)		(A6063)	4104,4107	AA6005
	AW-5005	AlMg1	3.3315	AlMg1	A-G0.6	N41			4106	AA5005
	AW-7020	AlZn4.5Mg1	3.4335	AlZn4.5Mg1	A-Z5G/7020	H17			4425	AA7020
	AW-7075		3.4365	AlZnMgCu1.5	A-Z5G/7075	2L95/2L96		A7075		AA7075
	MN65120	MgSe3Zn2Zr1	3.5103	G-MgSe3Zn2Zr1	ZRE1	MAG6-TE				M12330
	MG-P-63	MgAl6Zn	3.5612	G-MgAl6Zn	G-A6-Z1	MAG-E-121				M11600
	MG-P-61	MgAl8Zn	3.5812	G-MgAl8Zn	(G-A7-Z1)					
	AW-6082	AlMgSi1	3.2315	AlMgSi1	A-SGM0.7/6082	H30			4212	AA6082
	AC-43400	AlSi10Mg(Fe)	3.2381	G-AlSi10Mg	A-S10G	LM9			4253	A13600
	AC-44200	AlSi12	3.2382	GD-AlSi12						
	N3		AlSi17Cu5						ADC14	
N11	CC331G		2.0940.01	CuAl10Fe	CuAl10Fe	AB1			5710	C95200
	CC333G		2.0975.01	CuAl10Ni	CuAl10Ni5Fe5	AB2			5716	C95500
				CuNi10Fe1Mn	CuNi10Fe1Mn	CN102			5667	C70600
				CuNi10Zn45						
			2.0790	CuNi18Zn19Pb	CuNi18Zn19Pb1					C76300
	CW352H		2.1176	CuPb10Sn	CuSn10Pb10	LB2			5640	C93700
	CC480K		2.1050.01	CuSn10	CuSn10	CT1			5443	C90700
			2.1087	CuSn10Zn					5458	C90500
	CW452K	CuSn6	2.1020	CuSn6	CuSn6	PB103		C5191	5428	C51900
	CW502L	CuZn15	2.0240	CuZn15	CuZn15	CZ102		C2300	5112	C23000
	CW706R	CuZn28Sn1	2.0470	CuZn28Sn1	CuZn29Sn1				5220	C44300
	CW508L	CuZn37	2.0321	CuZn37					5150	C27200
	CW717R	CuZn38Sn1	2.0530	CuZn38Sn1						C46400
	CW614N	CuZn39Pb3	2.0401	CuZn39Pb3	CuZn39Pb3	CZ121			5170	C38500
	CW612N	CuZn40Pb2	2.0402	CuZn40Pb2	CuZn39Pb2	CZ120			5168	C37800
	CW622N	CuZn44Pb2	2.0410	CuZn44Pb2		CZ104			5272	C68700

SMG

U.N.E./I.H.A.	AISI / ASTM	GOST	Misc. Brands	Condition	Structure
	A48 25 B	Sc 15			Grey cast iron (GCI)
	A48 30 B	Sc 20			Grey cast iron (GCI)
	G 3500				Grey cast iron (GCI)
	A48 35 B	Sc 25			Grey cast iron (GCI)
	A48 45 B	Sc 30			Grey cast iron (GCI)
	A48 50 B	Sc 35			Grey cast iron (GCI)
	Grade 350				Compacted graphite irons (CGI)
	Grade 400				Compacted graphite irons (CGI)
	Grade 400-15				Compacted graphite irons (CGI)
	Grade 450				Compacted graphite irons (CGI)
	Grade 500				Compacted graphite irons (CGI)
	A220 60004			Tempered	Malleable cast irons (MCI)
					Nodular cast irons (SGI)
FGE 38-17	60-40-18	Vc 42-12			Nodular cast irons (SGI)
	60-40-18	Vc 42-12			Nodular cast irons (SGI)
FGE 50-7	A536 80-55-6	Vc 50-2			Nodular cast irons (SGI)
FGE 60-2	A476 80-60-03	Vc 60-2			Nodular cast irons (SGI)
FGE 70-2	A536 100-70-03	Vc 70-2			Nodular cast irons (SGI)
	1600/1300/-				Austempered cast irons (ADI)
	1050/700/7				Austempered cast irons (ADI)
	1200/850/4				Austempered cast irons (ADI)
	1400/1100/1				Austempered cast irons (ADI)
	850/550/10				Austempered cast irons (ADI)
	A436 Type 2		Ni-Resist 2		Austenitic lamellar cast irons
	A436 Type 3		Ni-Resist 3		Austenitic lamellar cast irons
	A436 Type 1		Ni-Resist 1		Austenitic lamellar cast irons
	A439 Type D-5		Ni-Resist D-5		Austenitic nodular cast irons
	A436 Type D-2		Ni-Resist D-2		Austenitic nodular cast irons
	A436 Type D-3		Ni-Resist D-3		Austenitic nodular cast irons
	-		Nodumag		Austenitic nodular cast irons
	A439 Type D-2M		Ni-Resist D-2M		Austenitic nodular cast irons
	A380				
	B26				
	AMS 4442				
	AZ61A				
	AZ80A				
	B85				
	A413.2				
	B390.0				
	CA952	BrA9ZH3L			
	CA955	BrA10ZH4N4L			
	CA937				
		BrOF6.5-0.15			
		L90			
		LOMsh70-1-0.05			
		LO60-1			
		LAMsh77-2-0.05			

SMG

SMG	EN	EN-Nr	W.-Nr	DIN	AFNOR	BS	UNI	JIS	SS	UNS	
S1											
S2											
S3	NiMo30		2.4810							N10002	
	NiMo16Cr15W		2.4819							N10276	
	NiCr19Fe19Nb5Mo3		2.4668							N07718	
			2.4669							N07750	
	NiCr20TiAl		2.4631							N07080	
	NiCr19Co18Mo4Ti3Al3									N07500	
			2.4654							N07001	
			3.7024								
S11										R54620	
										R56320	
S12	TiAl6V4		3.7164							R56400	
S13				TiV10Fe2Al3							
H3	16 MnCr 5	1.7131	1.7131	16 MnCr 5	16 MC 5	527 M 17	16 MnCr5	SCR 415	2511	G51170	
H5	42 CrMo 4	1.7225	1.1201	42 CrMo 4	42 CD 4	708 M40	42 CrMo 4	SCM 440 (H)	2244	G41400	
	C 67S	1.1231	1.1231	Ck 67	XC 68	060 A 67	C 70		1770	G10700	
	C 75S	1.1248	1.1248	Ck 75	XC 75	060 A 78	C 75		1774, 1778	G10780	
	C 100S	1.1274	1.1274	Ck 101		060 A 96		SUP 4	1870	G10950	
	C 105U	1.1545	1.1545	C 105 W1	Y1 105				1880		
			1.2550	60 WCrV 7	55 WC 20			55 WCrV 8 KU			
55 Cr 3	1.7176	1.7176	55 Cr 3	55 C 3	527 A 60	55 Cr 3	SUP 9 (A)	2253	G51550		
H7	107 CrV 3	1.2210	1.2210	115 CrV 3	100 C 3		107 CrV 3 KU			T61202	
			1.2510	100 MnCrW 4	90 MWCV 5	BO 1	95 MnWCr 5 KU	SKS 3	2140	T31501	
	90 MnCrV 8	1.2842	1.2842	90 MnCrV 8	90 MV 8	BO 2	90 MnVCr 8 KU			T31502	
100 Cr 6	1.3505	1.3505	100 Cr 6	100 C 6	534 A 99	100 Cr 6	SUJ 2	2258	G51986		
H8	X 40 CrMoV 5 1	1.2344	1.2344	X 40 CrMoV 5 1	Z 40 CDV 5	BH 13	X 40 CrMo 5 1 1 KU	SKD 61	2242	T20813	
	X 100 CrMoV 5	1.2363	1.2363	X 100 CrMoV 5 1	Z 100 CDV 5	BA 2	X 100 CrMoV 5 1 KU	SKD 12	2260	T30102	
	X 155 CrVMo 12 1		1.2379	X 155 CrVMo 12 1	Z 160 CDV 12	BD 2	X 155 CrVMo 12 1 KU	SKD 11		T30402	
			1.2436	X 210 CrW 12			X 215 CrW 12 1 KU	SKD 2		2312	
			1.2601	X 165 CrMoV 12			X 165 CrMoW 12 KU			2310	
			1.2713	55 NiCrMoV 6	55 NCDV 7			SKT 4			T61206
	HS 6-5-2-5	1.3243	1.3243	S 6-5-2-5	Z 85 WDKCV 06-05-05-04-02		HS 6-5-2-5	SKH 55	2723		
	HS 2-10-1-8	1.3247	1.3247	S 2-10-1-8	Z 110 DKCWV 09-08-04	BM 42	HS 2-9-1-8	SKH 51			T11342
	HS 6-5-2	1.3343	1.3343	S 6-5-2	Z 85 WDCV 06-05-04-0	BM 2	HS 6-5-2	SKH 9, SKH 51	2722		T11302
	HS 18-0-1	1.3355	1.3355	S 18-0-1	Z 80 WCV 18-04-01	BT 1	HS 18-0-1	SKH 2			T12001
H11	X 20 Cr 13	1.4021	1.4021	X 20 Cr 13	Z 20 C 13	420 S 37	X 20 Cr 13	SUS 420 J 1	2303	S42000	
	X 70 CrMo 15	1.4109	1.4109	X 65 CrMo 14	Z 70 D 14			SUS 440 A		S44002	
	X 90 CrMoV 18	1.4112	1.4112	X 90 CrMoV 18	Z 2 CND 18 05	409 S 19	X CrTi 12	SUS 440 B	2327	S44003	
	X 105 CrMo 17	1.4125	1.4125	X 105 CrMo 17	Z 100 CD 17		X 105 CrMo 17	SUS 440 C		S44004	
	X 3 CrNiMoAl 13 8 2	1.4534	1.4534	X 3 CrNiMoAl 13 8 2						S13800	
H12	X 5 CrNiCuNb 16 4	1.4548	1.4542	X 5 CrNiCuNb 17 4	Z 6 CNU 17.4			SCS 24, SUS 630		S17400	
	X 7 CrNiAl 17 7	1.4568	1.4568	X 7 CrNiAl 17 7	Z 9 CAN 17.7	301 S 81	X 7 CrNiAl 17 7	SUS 631	2388	S17700	
	X 6 NiCrTiMoV 25 15	1.4980	1.4943	X 4 NiCrTi 25 15	Z 6 NCTDV 25.15	HR 51		SUH 660	2570	S66286	
H21	X 120 Mn 12	1.3401	1.3401	X 120 Mn 12	Z 120 M 12	BW 10		SC MnH 1	2183		
H31	EN-GJN-HV520	0.9620	G-X330 NiCr 4 2	FB Ni4 Cr2 BC	Grade 2 A	Grade 2 A			05 12-00	F45001	
	EN-GJN-HV550	0.9625	G-X260 NiCr 4 2	FB Ni4 Cr2 HC	Grade 2 B	Grade 2 B			05 13-00	F45000	
	EN-GJN-HV600(XCr11)	0.9630	G-X300 CrNiSi 9 5 2	FB Cr9 Ni5	Grade 2 C, D, E	Grade 2 C, D, E			04 57-00	F45003	

SMG

U.N.E./ I.H.A.	AISI / ASTM	GOST	Misc. Brands	Condition	Structure
			Discalloy	Precipitation hardened	
			Haynes 25		
			Stellite 21		
			Stellite 31		
			Hastelloy C		
		KHN65MV	Hastelloy C-276		
			IN 100		
			Inconel 718		
			Inconel X-750	Solution treated	
			Nimonic 80A		
			René 41		
			Udimet 500		
			Waspalloy		
			Ti	Commercially pure	Ti (α)
	AMS 4919		Ti 6-2-4-2	Annealed	Ti (α)
	AMS 4943		Ti 3Al-2.5V (grd 9)	Annealed	Ti ($\alpha+\beta$)
	AMS 4920, Grd 5	VT6	Ti 6Al-4V	Annealed	Ti ($\alpha+\beta$)
	AMS 4986		Ti 10V-2Fe-3Al	Annealed	Ti (β)
F.1516	5115	12KH2		Case hardened	
F.1252	4142, 4140	38HM		Quenched & Tempered	
F.5103	1070	70		Quenched & Tempered	
F.5107	1078, 1080	75		Quenched & Tempered	
F.5117	1095			Quenched & Tempered	
F.5118	W 1	U10A		Quenched & Tempered	
	S1	5KHV2SF		Quenched & Tempered	
	5155			Quenched & Tempered	
F.520L	L2	11KHF		Quenched & Tempered	
F.5220	O1	9KHVG		Quenched & Tempered	
	O2	9G2F		Quenched & Tempered	
F.5230	52100	SHKH15		Quenched & Tempered	
F.5318	H13	4KH5MF1S		Quenched & Tempered	
F.5227	A2	9KH5VF		Quenched & Tempered	
F.5211	D2	KH12MF		Quenched & Tempered	
F.5213		KH12		Quenched & Tempered	
		KH12MF		Quenched & Tempered	
F.520.S	L6	5KHNM		Quenched & Tempered	
F.5613	M35	R6M5K5		Quenched & Tempered	
	M42	R2AM9K5		Quenched & Tempered	
F.5603	M2	R6M5		Quenched & Tempered	
	T1	R18		Quenched & Tempered	
F.5261	420	20KH13		Quenched & Tempered	Martensite
	440 A			Quenched & Tempered	Martensite
	440 B	95KH18		Quenched & Tempered	Martensite
	440 C	95KH18		Quenched & Tempered	Martensite
	XM-13		PH13-8Mo	Precipitation hardened	Martensite
	630		17-4-PH	Precipitation hardened	Martensite
	AMS 5528	09KH17N7YU1	17-7-PH	Precipitation hardened	Austenite/ferrite
	660		A286	Precipitation hardened	Austenite
	A128 Grade A				
	A532 IB (NiCr-LC)		Ni-Hard 2		White cast iron
	A532 IA (NiCr-HC)		Ni-Hard 1		White cast iron
	A532 ID (Ni-HiCr)		Ni-Hard 4		White cast iron